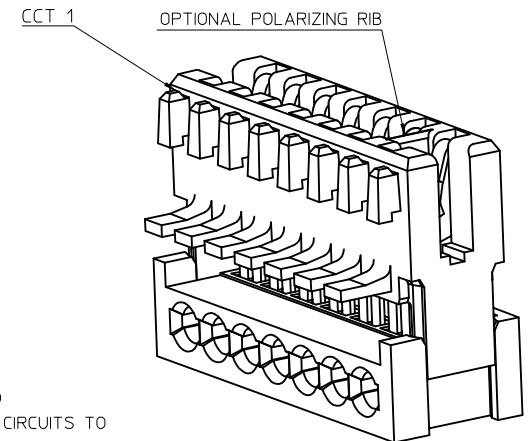
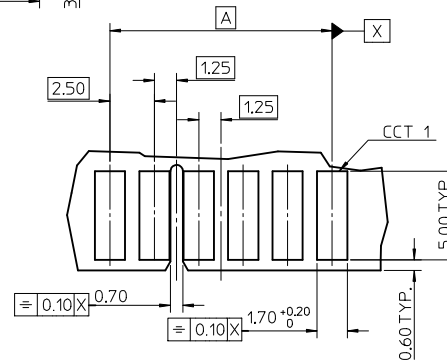
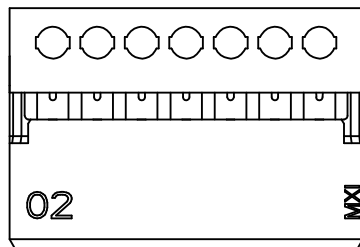
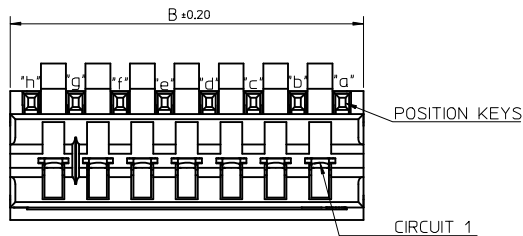


CCT	"A"	"B"
3	5.0	9.875
4	7.5	12.375
5	10.0	14.875
6	12.5	17.375
7	15.0	19.875
8	17.5	22.375
9	20.0	24.875
10	22.5	27.375
11	25.0	29.875
12	27.5	32.375
13	30.0	34.875
14	32.5	37.375
15	35.0	39.875
16	37.5	42.375
17	40.0	44.875
18	42.5	47.375
19	45.0	49.875
20	47.5	52.375



- PCB LAYOUT FOR 6CCT CONNECTOR (WITH OPTIONAL POSITIONAL RIB SLOT BETWEEN CCT 4 & CCT 5)
- THE POSITIONAL RIB SLOT CAN BE PLACED BETWEEN ANY TWO CIRCUITS TO SUIT MATING CONNECTOR. ABOVE SKETCH SHOWS A PARTICULAR EXAMPLE
- RECOMMENDED PCB THICKNESS 1.5±0.14mm

NOTES:

- REFER TO PRODUCT SPECIFICATION: PS-92336-001
- MATERIAL: HOUSING - PA 6, UL94-V2, COLOUR: NATURAL (WHITE) TERMINAL: COPPER ALLOY 0.25 REF. THICK PLATING - Sn
- COLOUR STRIPE IS OPTIONAL, AVAILABLE IN THE FOLLOWING COLOURS: RED, GREEN, BLUE & BLACK (BLACK SPECIFIES CUSTOMER SPECIFIC CONFIGURATION)
- REFER TO PACKAGING SPECIFICATION: PK-90871-001
- REFER TO APPLICATION SPECIFICATION: AS-99033-0008)

ADDED NEW PART NUMBERS EC NO: IFC2014-1184 DRAWN: MONAHAN 2014/01/07 CHKD: CHIKO APPR: MSHANAHAN 2014/09/10	QUALITY SYMBOLS ▽=0 ▽=0	GENERAL TOLERANCES (UNLESS SPECIFIED) mm INCH 4 PLACES ± --- ± --- 3 PLACES ± 0.05 ± --- 2 PLACES ± 0.10 ± --- 1 PLACE ± 0.20 ± --- ANGULAR ± 1/2°	DIMENSION STYLE MM ONLY DRAWN BY: T. TOURISH DATE: 2007/09/21 CHECKED BY: BRUTTLE DATE: 2007/09/21 APPROVED BY: JWALLACE DATE: 2012/01/19 MATERIAL NO.	SCALE 5:1 DESIGN UNITS METRIC THIRD ANGLE PROJECTION	TITLE R 2.5 SIGNAL ASSY
	DRAFT WHERE APPLICABLE MUST REMAIN WITHIN DIMENSIONS	SEE SHEETS 2-8	MOLEX INCORPORATED DOCUMENT NO. SD-92336-001	SHEET NO. 1 OF 8	
	THIS DRAWING CONTAINS INFORMATION THAT IS PROPRIETARY TO MOLEX INCORPORATED AND SHOULD NOT BE USED WITHOUT WRITTEN PERMISSION				
	SIZE A 2				

### 3 CIRCUIT

MOLEX PART NO.	MOLEX HOUSING NO.	TERMINAL VOID POSITION	REMOVED POSITION KEYS	CONFIGURATION (SEE NOTES)	POLARIZING RIB	COLOUR STRIPE
92336-0001	92335-0003	NONE	NONE		NONE	NONE
92336-0002	92335-0003	NONE	a d		NONE	RED
92336-0013	92335-0003	NONE	a		NONE	NONE
92336-0014	92335-0003	NONE	b		NONE	NONE
92336-0015	92335-0003	NONE	c		NONE	NONE
92336-0016	92335-0003	NONE	d		NONE	NONE
92336-0017	92335-0003	NONE	b d		NONE	NONE
92336-0018	92335-0003	NONE	a c		NONE	NONE
92336-0019	92335-0003	NONE	a d		NONE	NONE
92336-0020	92335-0003	NONE	a b		NONE	NONE
92336-0021	92335-0003	NONE	b c		NONE	NONE
92336-0022	92335-0003	NONE	c d		NONE	NONE
92336-0023	92335-0003	<b>CKT 2</b>	b d		NONE	NONE
92336-0024	92335-0003	<b>CKT 3</b>	c		NONE	BLUE
92336-0034	92335-0103	NONE	NONE		<b>BETWEEN CKT 1&amp;2</b>	NONE
92336-0041	92335-0203	NONE	NONE		<b>BETWEEN CKT 2&amp;3</b>	NONE
92336-0042	92335-0003	<b>CKT 1</b>	NONE		NONE	NONE
92336-0043	92335-0003	<b>CKT 1</b>	c		NONE	NONE
92336-0044	92335-0003	NONE	b d		NONE	BLUE
92336-0045	92335-0003	NONE	b		NONE	BLUE
92336-0046	92335-0003	<b>CKT 1</b>	d		NONE	NONE
92336-0047	92335-0203	NONE	a d		<b>BETWEEN CKT 2&amp;3</b>	BLUE

### 3 CIRCUIT

MOLEX PART NO.	MOLEX HOUSING NO.	TERMINAL VOID POSITION	REMOVED POSITION KEYS	CONFIGURATION (SEE NOTES)	POLARIZING RIB	COLOUR STRIPE
92336-0048	92335-0003	NONE	NONE		NONE	BLUE
92336-0049	92335-0203	NONE	a d		<b>BETWEEN CKT 2&amp;3</b>	NONE
92336-0050	92335-0103	NONE	a d		<b>BETWEEN CKT 1&amp;2</b>	NONE
92336-0051	92335-0003	<b>CKT 3</b>	NONE		NONE	NONE
92336-0052	92335-0203	<b>CKT 1</b>	NONE		<b>BETWEEN CKT 2&amp;3</b>	NONE
92336-0053	92335-0003	<b>CKT 2</b>	NONE		NONE	NONE
92336-0054	92335-0003	NONE	ALL		NONE	NONE

- NOTES
- + DENOTES TERMINAL VOIDED POSITION  
● DENOTES TERMINAL LOADED POSITION  
I DENOTES POLARIZING RIB POSITION
  - HOUSING NUMBER FOR MOLEX REFERENCE ONLY

<b>SEE SHEET 1</b> ELEC NO: 1P02014-1184 DRAWN BY: DRWINCKOMAHAN CHKD: APPR: SHAWHAN 2014/01/07 2014/09/10	QUALITY SYMBOLS	GENERAL TOLERANCES (UNLESS SPECIFIED)	DIMENSION STYLE	SCALE	DESIGN UNITS	THIRD ANGLE PROJECTION	
	▽=0	mm INCH	MM ONLY	1:1	METRIC		
	▽=0	4 PLACES ± --- ± --- 3 PLACES ± 0.05 ± --- 2 PLACES ± 0.10 ± --- 1 PLACE ± 0.20 ± ---	DRAWN BY DATE TTOURISH 2007/09/21	CHECKED BY DATE BRUTTLE 2007/09/21	TITLE R 2.5 SIGNAL ASSY		
		ANGULAR ± 1/2°	APPROVED BY DATE JWALLACE 2012/01/19	MATERIAL NO. DOCUMENT NO. SHEET NO. <b>SEE CHARTS</b> SD-92336-001 2 OF 8			
DRAFT WHERE APPLICABLE MUST REMAIN WITHIN DIMENSIONS			THIS DRAWING CONTAINS INFORMATION THAT IS PROPRIETARY TO MOLEX INCORPORATED AND SHOULD NOT BE USED WITHOUT WRITTEN PERMISSION				

# 4 CIRCUIT

MOLEX PART NO.	MOLEX HOUSING NO.	TERMINAL VOID POSITION	REMOVED POSITION KEYS	CONFIGURATION (SEE NOTES)	POLARIZING RIB	COLOUR STRIPE
92336-0501	92335-0004	NONE	NONE		NONE	NONE
92336-0502	92335-0004	NONE	d		NONE	NONE
92336-0503	92335-0004	NONE	a d		NONE	NONE
92336-0504	92335-0004	NONE	c e		NONE	NONE
92336-0505	92335-0004	NONE	a		NONE	NONE
92336-0506	92335-0204	NONE	NONE		<b>BETWEEN CKT 2&amp;3</b>	NONE
92336-0538	92335-0004	NONE	b		NONE	NONE
92336-0530	92335-0004	NONE	b c		NONE	NONE
92336-0539	92335-0004	NONE	a b		NONE	NONE
92336-0540	92335-0004	NONE	d e		NONE	NONE
92336-0541	92335-0004	NONE	ALL		NONE	NONE
92336-0542	92335-0004	NONE	a b e		NONE	NONE
92336-0547	92335-0004	NONE	b c		NONE	<b>GREEN</b>
92336-0548	92335-0004	NONE	c d		NONE	<b>RED</b>
92336-0549	92335-0004	NONE	a c e		NONE	NONE
92336-0507	92335-0004	<b>CKT 1</b>	NONE		NONE	NONE
92336-0543	92335-0304	NONE	NONE		<b>BETWEEN CKT 3&amp;4</b>	<b>RED</b>
92336-0544	92335-0204	NONE	NONE		<b>BETWEEN CKT 2&amp;3</b>	<b>BLUE</b>
92336-0545	92335-0004	NONE	d		NONE	<b>BLUE</b>
92336-0546	92335-0004	NONE	b		NONE	<b>RED</b>
92336-0551	92335-0204	NONE	a e		<b>BETWEEN CKT 2&amp;3</b>	<b>BLUE</b>
92336-0552	92335-0004	NONE	b c d		NONE	NONE
92336-0553	92335-0304	NONE	NONE		<b>BETWEEN CKT 3&amp;4</b>	NONE
92336-0554	92335-0104	NONE	NONE		<b>BETWEEN CKT 1&amp;2</b>	NONE

# 4 CIRCUIT

MOLEX PART NO.	MOLEX HOUSING NO.	TERMINAL VOID POSITION	REMOVED POSITION KEYS	CONFIGURATION (SEE NOTES)	POLARIZING RIB	COLOUR STRIPE
92336-0555	92335-0004	<b>CCT3</b>	a b e		NONE	<b>RED</b>

**NOTES**

- + DENOTES TERMINAL VOIDED POSITION
  - DENOTES TERMINAL LOADED POSITION
  - | DENOTES POLARIZING RIB POSITION
- HOUSING NUMBER FOR MOLEX REFERENCE ONLY

SEE SHEET 1 ELEC NO: 1P62014-1184 DRAWN BY: DRWINKONWAHAN CHKD: APPR: SHAMAHAN DATE: 2014/01/07 DATE: 2014/09/10	QUALITY SYMBOLS	GENERAL TOLERANCES (UNLESS SPECIFIED)	DIMENSION STYLE	SCALE	DESIGN UNITS	THIRD ANGLE PROJECTION	
	$\nabla=0$ $\nabla=0$	mm    INCH 4 PLACES ± --- ± --- 3 PLACES ± 0.05 ± --- 2 PLACES ± 0.10 ± --- 1 PLACE ± 0.20 ± --- ANGULAR ± 1/2°	M M ONLY	DRAWN BY    DATE T TOURISH    2007/09/21 CHECKED BY    DATE BRUTTLE    2007/09/21 APPROVED BY    DATE JWALLACE    2012/01/19	1:1	METRIC	R 2.5 SIGNAL ASSY
	DRAFT WHERE APPLICABLE MUST REMAIN WITHIN DIMENSIONS	SEE CHARTS	MATERIAL NO. SD-92336-001	DOCUMENT NO.	SHEET NO. 3 OF 8	MOLEX INCORPORATED	
	THIS DRAWING CONTAINS INFORMATION THAT IS PROPRIETARY TO MOLEX INCORPORATED AND SHOULD NOT BE USED WITHOUT WRITTEN PERMISSION						

# 5 CIRCUIT

MOLEX PART NO.	MOLEX HOUSING NO.	TERMINAL VOID POSITION	REMOVED POSITION KEYS	CONFIGURATION (SEE NOTES)	POLARIZING RIB	COLOUR STRIPE	SIDE LATCH
92336-1001	92335-0005	NONE	NONE		NONE	NONE	NO
92336-1002	92335-0305	NONE	ALL		<b>BETWEEN CKT 3&amp;4</b>	NONE	NO
92336-1003	92335-0405	NONE	NONE		<b>BETWEEN CKT 4&amp;5</b>	NONE	NO
92336-1004	92335-0005	NONE	c d		NONE	NONE	NO
92336-1005	92335-0005	NONE	a		NONE	NONE	NO
92336-1006	92335-0005	NONE	b		NONE	NONE	NO
92336-1007	92335-0005	NONE	a b e f		NONE	NONE	NO
92336-1008	92335-0205	NONE	NONE		<b>BETWEEN CKT 2&amp;3</b>	NONE	NO
92336-1009	92335-0005	<b>CCT 2, 3 &amp; 4</b>	NONE		NONE	NONE	NO
92336-1010	92335-0005	<b>CCT 2</b>	c		NONE	NONE	NO
92336-1011	92335-0005	<b>CCT 2</b>	d		NONE	NONE	NO
92336-1012	92335-0005	<b>CCT 2</b>	b		NONE	NONE	NO
92336-1013	92335-0005	<b>CCT 2</b>	a		NONE	NONE	NO
92336-1014	92335-0005	NONE	b, c, d, e		NONE	NONE	NO
92336-1015	92335-0305	<b>CCT 2, 3 &amp; 4</b>	NONE		<b>BETWEEN CKT 3&amp;4</b>	<b>RED</b>	NO
92336-1016	92335-0105	NONE	a f		<b>BETWEEN CKT 1&amp;2</b>	<b>BLUE</b>	NO
92336-1017	92335-0105	<b>CCT 3</b>	a f		<b>BETWEEN CKT 1&amp;2</b>	<b>BLUE</b>	NO
92336-1018	92335-0205	NONE	a f		<b>BETWEEN CKT 2&amp;3</b>	NONE	NO
92336-1019	92335-0005	NONE	a f		NONE	NONE	NO
92336-1020	92335-0005	<b>CCT 2, 4</b>	NONE		NONE	NONE	NO
92336-1021	92335-0005	NONE	ALL		NONE	NONE	NO
92336-1023	92335-0105	NONE	NONE		<b>BETWEEN CKT 1&amp;2</b>	NONE	NO
92336-1024	92335-0005	NONE	c d e		NONE	NONE	NO
92336-1025	92335-0005	<b>CCT 1, 2 &amp; 4</b>	NONE		NONE	NONE	NO

NOTES

- + DENOTES TERMINAL VOIDED POSITION  
 ● DENOTES TERMINAL LOADED POSITION  
 | DENOTES POLARIZING RIB POSITION  
 HOUSING NUMBER FOR MOLEX REFERENCE ONLY
- HOUSING NUMBER FOR MOLEX REFERENCE ONLY

# 5 CIRCUIT

MOLEX PART NO.	MOLEX HOUSING NO.	TERMINAL VOID POSITION	REMOVED POSITION KEYS	CONFIGURATION (SEE NOTES)	POLARIZING RIB	COLOUR STRIPE	SIDE LATCH
92336-1026	92335-0305	NONE	NONE		<b>BETWEEN CKT 3&amp;4</b>	<b>BLUE</b>	NO
92336-1027	92335-0005	<b>CCT 5</b>	a b e f		NONE	NONE	NO
92336-1028	92335-0205	NONE	a b e f		<b>BETWEEN CKT 2&amp;3</b>	NONE	NO
92336-1029	92335-0005	<b>CCT 2,3,4</b>	c f		NONE	NONE	NO

<b>SEE SHEET 1</b> ELEC NO: IP02014-1184 DRWING: KUMARAN CHKD: APPR: SHAWHAN 2014/01/07 2014/09/10	QUALITY SYMBOLS ▽=0 ▽=0 DESCRIPTION	GENERAL TOLERANCES (UNLESS SPECIFIED) mm    INCH		DIMENSION STYLE <b>MM ONLY</b>		SCALE 1:1	DESIGN UNITS METRIC	THIRD ANGLE PROJECTION
		4 PLACES ± --- ± --- 3 PLACES ± 0.05 ± --- 2 PLACES ± 0.10 ± --- 1 PLACE ± 0.20 ± --- ANGULAR ± 1/2°	DRAWN BY T. TOURISH DATE 2007/09/21	CHECKED BY BRUTTLE DATE 2007/09/21	APPROVED BY J. WALLACE DATE 2012/01/19	TITLE <b>R 2.5 SIGNAL ASSY</b>		MOLEX INCORPORATED
DRAFT WHERE APPLICABLE MUST REMAIN WITHIN DIMENSIONS		SEE CHARTS		MATERIAL NO. DOCUMENT NO. <b>SD-92336-001</b>		SHEET NO. 4 OF 8		
THIS DRAWING CONTAINS INFORMATION THAT IS PROPRIETARY TO MOLEX INCORPORATED AND SHOULD NOT BE USED WITHOUT WRITTEN PERMISSION								

### 6 CIRCUIT

MOLEX PART NO.	MOLEX HOUSING NO.	TERMINAL VOID POSITION	REMOVED POSITION KEYS	CONFIGURATION (SEE NOTES)	POLARIZING RIB	COLOUR STRIPE
92336-1501	92335-0006	NONE	NONE		NONE	NONE
92336-1502	92335-0306	NONE	ALL		<b>BETWEEN CKT 3&amp;4</b>	NONE
92336-1503	92335-0006	NONE	c e f g		NONE	NONE
92336-1504	92335-0206	NONE	ALL		<b>BETWEEN CKT 2&amp;3</b>	NONE
92336-1505	92335-0006	<b>CKT 2 &amp; 3</b>	d f		NONE	NONE
92336-1506	92335-0006	NONE	a b f g		NONE	NONE
92336-1507	92335-0006	NONE	e f		NONE	NONE
92336-1509	92335-0006	NONE	g		NONE	NONE
92336-1510	92335-0006	<b>CKT 2</b>	c f		NONE	NONE
92336-1511	92335-0006	<b>CKT 2&amp;5</b>	NONE		NONE	NONE
92336-1512	92335-0006	<b>CKT 3&amp;5</b>	NONE		NONE	NONE
92336-1513	92335-0006	<b>CKT 2&amp;4</b>	b d e f		NONE	NONE
92336-1514	92335-0106	<b>CKT 3&amp;5</b>	NONE		<b>BETWEEN CKT 1&amp;2</b>	NONE
92336-1515	92335-0206	<b>CKT 2&amp;5</b>	NONE		<b>BETWEEN CKT 2&amp;3</b>	NONE
92336-1516	92335-0306	NONE	c f		<b>BETWEEN CKT 3&amp;4</b>	NONE
92336-1517	92335-0006	NONE	c e		NONE	NONE
92336-1518	92335-0006	<b>CKT 2&amp;4</b>	NONE		NONE	NONE
92336-1519	92335-0006	NONE	a c e		NONE	NONE
92336-1520	92335-0006	<b>CKT 5</b>	c e		NONE	NONE
92336-1521	92335-0006	<b>CKT 2,4,5&amp;6</b>	c e		NONE	NONE
92336-1522	92335-0006	<b>CKT 2&amp;6</b>	c e		NONE	NONE
92336-1523	92335-0406	NONE	NONE		<b>BETWEEN CKT 4&amp;5</b>	NONE
92236-1524	92335-0006	<b>CKT 2,4,5&amp;6</b>	NONE		NONE	NONE
92336-1525	92335-0006	<b>CKT 2&amp;6</b>	NONE		NONE	NONE

### 6 CIRCUIT (cont'd)

MOLEX PART NO.	MOLEX HOUSING NO.	TERMINAL VOID POSITION	REMOVED POSITION KEYS	CONFIGURATION (SEE NOTES)	POLARIZING RIB	COLOUR STRIPE	SIDE LATCH
92336-1527	92335-0006	<b>CKT 2&amp;5</b>	c e		NONE	NONE	NO
92336-1528	92335-0006	<b>CKT 2&amp;5</b>	a, b, d, f, g		NONE	<b>GREEN</b>	NO
92336-1529	92335-0006	NONE	d		NONE	NONE	NO
92336-1531	92335-0006	<b>CKT 1,2,3&amp;5</b>	NONE		NONE	NONE	NO
92336-1532	92335-0006	<b>CKT 1,2,3&amp;5</b>	d, f		NONE	NONE	NO
92336-1534	92335-0006	<b>CKT 3&amp;4</b>	b, d, f.		NONE	NONE	NO
92336-1535	92335-0006	<b>CKT 4&amp;5</b>	b, d, f.		NONE	NONE	NO
92336-1536	92335-0206	NONE	NONE		<b>BETWEEN CKT 2&amp;3</b>	NONE	NO
92336-1537	92335-0006	NONE	d		NONE	<b>BLUE</b>	NO
92336-1538	92335-0406	<b>CKT 3&amp;5</b>	a e f g		<b>BETWEEN CKT 4&amp;5</b>	NONE	NO
92336-1539	92335-0306	<b>CKT 2&amp;5</b>	a		<b>BETWEEN CKT 3&amp;4</b>	<b>RED</b>	NO
92336-1540	92335-0006	<b>CKT 2&amp;5</b>	NONE		NONE	<b>RED</b>	NO
92336-1541	92335-0006	NONE	a c e g		NONE	NONE	NO
92336-1542	92335-0006	NONE	c d		NONE	NONE	NO
92336-1543	92340-0006	NONE	a g		NONE	NONE	<b>YES</b>
92336-1544	92340-0406	<b>CKT 3&amp;5</b>	a g		<b>BETWEEN CKT 4&amp;5</b>	<b>GREEN</b>	<b>YES</b>
92336-1545	92335-0406	<b>CKT 3&amp;5</b>	NONE		<b>BETWEEN CKT 4&amp;5</b>	<b>GREEN</b>	NO
92336-1546	92335-0006	<b>CKT 3&amp;5</b>	NONE		NONE	<b>BLUE</b>	NO
92336-1547	92335-0006	<b>CKT 1,2,3&amp;4</b>	NONE		NONE	NONE	NO
92336-1548	92335-0306	NONE	a b g		<b>BETWEEN CKT 3&amp;4</b>	<b>BLUE</b>	NO

**NOTES**

- + DENOTES TERMINAL VOIDED POSITION  
 ⊕ DENOTES TERMINAL LOADED POSITION  
 | DENOTES POLARIZING RIB POSITION
- HOUSING NUMBER FOR MOLEX REFERENCE ONLY

SEE SHEET 1 EC NO: IP2014-184 DR: WINKONAHAN CHKD: APPR: SHAMHAN 2014/01/07 2014/09/10	QUALITY SYMBOLS ∇=0 ∇=0	GENERAL TOLERANCES (UNLESS SPECIFIED)		DIMENSION STYLE <b>MM ONLY</b>		SCALE 1:1	DESIGN UNITS METRIC	THIRD ANGLE PROJECTION	
		4 PLACES ± --- ± --- 3 PLACES ± 0.05 ± --- 2 PLACES ± 0.10 ± --- 1 PLACE ± 0.20 ± ---	mm INCH	DRAWN BY T T O U R I S H		DATE 2007/09/21	TITLE R 2.5 SIGNAL ASSY		
		ANGULAR ±1/2°		CHECKED BY B R U T T L E		DATE 2007/09/21	MOLEX INCORPORATED		
		DRAFT WHERE APPLICABLE MUST REMAIN WITHIN DIMENSIONS		APPROVED BY J W A L L A C E		DATE 2012/01/19	MATERIAL NO. SEE CHARTS	DOCUMENT NO. SD-92336-001	SHEET NO. 5 OF 8

THIS DRAWING CONTAINS INFORMATION THAT IS PROPRIETARY TO MOLEX INCORPORATED AND SHOULD NOT BE USED WITHOUT WRITTEN PERMISSION

### 7 CIRCUIT

MOLEX PART NO.	MOLEX HOUSING NO.	TERMINAL VOID POSITION	REMOVED POSITION KEYS	CONFIGURATION (SEE NOTES)	POLARIZING RIB	COLOUR STRIPE
92336-2001	92335-0007	NONE	NONE		NONE	NONE
92336-2002	92335-0207	NONE	ALL		<b>BETWEEN CKT 2&amp;3</b>	NONE
92336-2004	92335-0007	NONE	a		NONE	NONE
92336-2005	92335-0007	<b>CKT 2</b>	h		NONE	NONE
92336-2006	92335-0007	<b>CKT 4</b>	a		NONE	NONE
92336-2007	92335-0007	<b>CKT 2</b>	NONE		NONE	NONE
92336-2008	92335-0007	<b>CKT 6</b>	NONE		NONE	NONE
92336-2009	92335-0007	<b>CKT 2</b>	b c e g		NONE	<b>BLUE</b>
92336-2010	92335-0007	<b>CKT 4&amp;6</b>	b d f		NONE	<b>RED</b>
92336-2011	92335-0007	<b>CKT 4&amp;6</b>	b d f		NONE	<b>BLUE</b>
92336-2012	92335-0007	<b>CKT 2</b>	NONE		NONE	<b>BLUE</b>
92336-2013	92335-0007	<b>CKT 2</b>	b d e f h		NONE	<b>BLUE</b>
92336-2014	92335-0007	<b>CKT 4&amp;6</b>	NONE		NONE	<b>BLUE</b>
92336-2015	92335-0007	<b>CKT 4&amp;6</b>	c d e f h		NONE	<b>BLUE</b>
92336-2016	92335-0007	<b>CKT 6</b>	c d e f h		NONE	<b>BLUE</b>
92336-2017	92335-0007	<b>CKT 6</b>	c d e f		NONE	<b>BLUE</b>
92336-2018	92335-0007	<b>CKT 6</b>	NONE		NONE	<b>BLUE</b>
92336-2019	92335-0007	<b>CKT 2</b>	NONE		NONE	<b>BLACK</b>
92336-2020	92335-0207	NONE	NONE		<b>BETWEEN CKT 2&amp;3</b>	<b>BLUE</b>
92336-2021	92335-0207	<b>CKT 1,2</b>	NONE		<b>BETWEEN CKT 2&amp;3</b>	<b>BLUE</b>

### 8 CIRCUIT

MOLEX PART NO.	MOLEX HOUSING NO.	TERMINAL VOID POSITION	REMOVED POSITION KEYS	CONFIGURATION (SEE NOTES)	POLARIZING RIB	COLOUR STRIPE
92336-2501	92335-0008	NONE	NONE		NONE	NONE
92336-2502	92335-0308	NONE	NONE		<b>BETWEEN CKT 3&amp;4</b>	NONE
92336-2503	92335-0008	NONE	c f h i		NONE	NONE
92336-2504	92335-0008	NONE	b c d h i		NONE	NONE
92336-2505	92335-0008	NONE	b c g h		NONE	<b>BLUE</b>
92336-2506	92335-0008	NONE	c f		NONE	NONE
92336-2507	92335-0008	NONE	c f h i		NONE	<b>BLUE</b>
92336-2508	92335-0008	NONE	NONE		NONE	<b>BLUE</b>
92336-2509	92335-0008	NONE	a c d e g i		NONE	<b>BLUE</b>
92336-2510	92335-0008	NONE	c d e f		NONE	<b>BLUE</b>
92336-2511	92335-0008	NONE	NONE		NONE	<b>BLACK</b>
92336-2512	92335-0008	NONE	c f h i		NONE	<b>BLACK</b>
92336-2513	92335-0008	NONE	c d g h		NONE	NONE
92336-2514	92335-0008	NONE	a c d e f g h i		NONE	<b>BLUE</b>
92336-2515	92335-0208	NONE	ALL		<b>BETWEEN CKT 2&amp;3</b>	NONE
92336-2516	92335-0508	NONE	ALL		<b>BETWEEN CKT 5&amp;6</b>	NONE

**NOTES**

- + DENOTES TERMINAL VOIDED POSITION
  - ⊕ DENOTES TERMINAL LOADED POSITION
  - | DENOTES POLARIZING RIB POSITION
- HOUSING NUMBER FOR MOLEX REFERENCE ONLY

SEE SHEET 1 EC NO: IPG2014-1184 LEL: DRINKKONWAN CHKD: APPR:SHAMHAN 2014/09/10	QUALITY SYMBOLS	GENERAL TOLERANCES (UNLESS SPECIFIED)	DIMENSION STYLE	SCALE	DESIGN UNITS	THIRD ANGLE PROJECTION	
	$\nabla=0$ $\nabla=0$	mm    INCH 4 PLACES ± --- ± --- 3 PLACES ± 0.05 ± --- 2 PLACES ± 0.10 ± --- 1 PLACE ± 0.20 ± --- ANGULAR ±1/2°	M M ONLY	DRAWN BY    DATE T T O U R I S H    2007/09/21	1:1	METRIC	TITLE R 2.5 SIGNAL ASSY
	DESCRIPTION R 2.5 SIGNAL ASSY	DRAFT WHERE APPLICABLE MUST REMAIN WITHIN DIMENSIONS	CHECKED BY    DATE B R U T T L E    2007/09/21	APPROVED BY    DATE J W A L L A C E    2012/01/19	MATERIAL NO.	DOCUMENT NO.	SHEET NO. 6 OF 8
	SEE CHARTS	THIS DRAWING CONTAINS INFORMATION THAT IS PROPRIETARY TO MOLEX INCORPORATED AND SHOULD NOT BE USED WITHOUT WRITTEN PERMISSION	MOLEX INCORPORATED	SD-92336-001	SIZE 1	INCORPORATED AND SHOULD NOT BE USED WITHOUT WRITTEN PERMISSION	MOLEX INCORPORATED

# 9 CIRCUIT

MOLEX PART NO.	MOLEX HOUSING NO.	TERMINAL VOID POSITION	REMOVED POSITION KEYS	CONFIGURATION (SEE NOTES)	POLARIZING RIB	COLOUR STRIPE	SIDE LATCH
92336-3001	92335-0009	NONE	NONE		NONE	NONE	NO
92336-3002	92335-0409	NONE	NONE		<b>BETWEEN CKT 4&amp;5</b>	NONE	NO
92336-3003	92335-0009	<b>CKT 2,5&amp;8</b>	NONE		NONE	NONE	NO
92336-3004	92335-0209	NONE	NONE		<b>BETWEEN CKT 2&amp;3</b>	NONE	NO
92336-3005	92335-0009	<b>CKT 2,5&amp;8</b>	b c e g i j		NONE	<b>GREEN</b>	NO
92336-3006	92335-0009	<b>CKT 2,5&amp;8</b>	NONE		NONE	<b>GREEN</b>	NO
92336-3007	92335-0009	<b>CKT 2,5&amp;8</b>	b c e f g i j		NONE	<b>GREEN</b>	NO
92336-3008	92335-0009	<b>CKT 2,5&amp;8</b>	b c e f g i		NONE	<b>GREEN</b>	NO
92336-3009	92335-0009	<b>CKT 2,5&amp;7</b>	c g		NONE	NONE	NO
92336-3010	92335-0009	<b>CKT 3,5&amp;8</b>	NONE		NONE	NONE	NO
92336-3011	92335-0009	<b>CKT 3,5&amp;8</b>	c d g h		NONE	NONE	NO
92336-3012	92335-0009	<b>CKT 3,5&amp;8</b>	NONE		NONE	<b>BLUE</b>	NO
92336-3013	92340-0209	<b>CKT 2,4&amp;6</b>	a j		<b>BETWEEN CKT 2&amp;3</b>	<b>BLACK</b>	<b>YES</b>
92336-3014 PART NUMBER OBSOLETE (NO GREY STRIPE AVAILABLE)							
92336-3015	92335-0009	<b>CKT 3,5&amp;8</b>	c d e i j		NONE	<b>BLUE</b>	NO
92336-3017	92335-0209	<b>CKT 2,4&amp;6</b>	NONE		<b>BETWEEN CKT 2&amp;3</b>	<b>BLACK</b>	NO

# 10 CIRCUIT

MOLEX PART NO.	MOLEX HOUSING NO.	TERMINAL VOID POSITION	REMOVED POSITION KEYS	CONFIGURATION (SEE NOTES)	POLARIZING RIB	COLOUR STRIPE
92336-3501	92335-0010	NONE	NONE		NONE	NONE
92336-3502	92335-0210	NONE	ALL		<b>BETWEEN CKT 2&amp;3</b>	NONE
92336-3503	92335-0010	<b>CKT 2,5,7&amp;8</b>	NONE		NONE	NONE
92336-3504	92335-0410	NONE	NONE		<b>BETWEEN CKT 4&amp;5</b>	NONE
92336-3505	92335-0010	<b>CKT 2,9</b>	NONE		NONE	<b>BLUE</b>
92336-3506	92335-0010	<b>CKT 2,4,6&amp;8</b>	NONE		NONE	NONE

### NOTES

- + DENOTES TERMINAL VOIDED POSITION  
● DENOTES TERMINAL LOADED POSITION  
| DENOTES POLARIZING RIB POSITION
- HOUSING NUMBER FOR MOLEX REFERENCE ONLY

<b>SEE SHEET 1</b> ELEC NO: IPG2014-1184 DRAWN BY: DRWINCKONAHAN CHKD: APPR: SHAMAHAN 2014/01/07 2014/09/10	QUALITY SYMBOLS ▽=0 ▽=0	GENERAL TOLERANCES (UNLESS SPECIFIED) mm    INCH 4 PLACES ± --- ± --- 3 PLACES ± 0.05 ± --- 2 PLACES ± 0.10 ± --- 1 PLACE ± 0.20 ± --- ANGULAR ± 1/2°	DIMENSION STYLE <b>MM ONLY</b>	SCALE 1:1	DESIGN UNITS METRIC	THIRD ANGLE PROJECTION
	DRAWN BY: TOURISH DATE: 2007/09/21 CHECKED BY: BRUTTLE DATE: 2007/09/21 APPROVED BY: JWALLACE DATE: 2012/01/19	TITLE <b>R 2.5 SIGNAL ASSY</b>	MATERIAL NO. <b>SEE CHARTS</b>	DOCUMENT NO. <b>SD-92336-001</b>	SHEET NO. 7 OF 8	
	DRAFT WHERE APPLICABLE MUST REMAIN WITHIN DIMENSIONS					
	THIS DRAWING CONTAINS INFORMATION THAT IS PROPRIETARY TO MOLEX INCORPORATED AND SHOULD NOT BE USED WITHOUT WRITTEN PERMISSION					

### 11 CIRCUIT

MOLEX PART NO.	MOLEX HOUSING NO.	TERMINAL VOID POSITION	REMOVED POSITION KEYS	CONFIGURATION (SEE NOTES)	POLARIZING RIB	COLOUR STRIPE
92336-4001	92335-0011	NONE	NONE		NONE	NONE
92336-4005	92335-0011	<b>CCT 4,6,8,10</b>	NONE		NONE	NONE

### 12 CIRCUIT

MOLEX PART NO.	MOLEX HOUSING NO.	TERMINAL VOID POSITION	REMOVED POSITION KEYS	CONFIGURATION (SEE NOTES)	POLARIZING RIB	COLOUR STRIPE
92336-4501	92335-0012	NONE	NONE		NONE	NONE
92336-4502	92335-0012	<b>CKT 2,5,8&amp;11</b>	b c d e j k l		NONE	<b>GREEN</b>
92336-4503	92335-0012	<b>CKT 2,5,8&amp;11</b>	NONE		NONE	<b>GREEN</b>
92336-4504	92335-0012	<b>CKT 2,5,8&amp;11</b>	a c d e g h i k l m		NONE	<b>GREEN</b>
92336-4505	92335-0012	<b>CKT 2,5,8&amp;11</b>	c d e g h i k l m		NONE	<b>GREEN</b>

### 13 CIRCUIT

MOLEX PART NO.	MOLEX HOUSING NO.	TERMINAL VOID POSITION	REMOVED POSITION KEYS	CONFIGURATION (SEE NOTES)	POLARIZING RIB	COLOUR STRIPE
92336-5001	92335-0013	NONE	NONE		NONE	NONE
92336-5002	92335-0013	<b>CKT 4,6,8,10 &amp;12</b>	NONE		NONE	NONE
92336-5003	92335-0013	NONE	c, f, h, i, k, l		NONE	NONE
92336-5004	92335-0213	NONE	a n		<b>CKT 2&amp;3</b>	NONE

### 14 CIRCUIT

MOLEX PART NO.	MOLEX HOUSING NO.	TERMINAL VOID POSITION	REMOVED POSITION KEYS	CONFIGURATION (SEE NOTES)	POLARIZING RIB	COLOUR STRIPE
92336-5501	92335-0014	NONE	NONE		NONE	NONE

- NOTES
- + DENOTES TERMINAL VOIDED POSITION
    - ⊕ DENOTES TERMINAL LOADED POSITION
    - | DENOTES POLARIZING RIB POSITION
  - HOUSING NUMBER FOR MOLEX REFERENCE ONLY

### 15 CIRCUIT

MOLEX PART NO.	MOLEX HOUSING NO.	TERMINAL VOID POSITION	REMOVED POSITION KEYS	CONFIGURATION (SEE NOTES)	POLARIZING RIB	COLOUR STRIPE
92336-6001	92335-0015	NONE	NONE		NONE	NONE
92336-6002	92335-0015	<b>CKT 4,6,8,10, 12 &amp; 14</b>	o p		NONE	NONE

### 16 CIRCUIT

MOLEX PART NO.	MOLEX HOUSING NO.	TERMINAL VOID POSITION	REMOVED POSITION KEYS	CONFIGURATION (SEE NOTES)	POLARIZING RIB	COLOUR STRIPE
92336-6501	92335-0016	NONE	NONE		NONE	NONE

### 17 CIRCUIT

MOLEX PART NO.	MOLEX HOUSING NO.	TERMINAL VOID POSITION	REMOVED POSITION KEYS	CONFIGURATION (SEE NOTES)	POLARIZING RIB	COLOUR STRIPE
92336-7001	92335-0017	NONE	NONE		NONE	NONE

### 18 CIRCUIT

MOLEX PART NO.	MOLEX HOUSING NO.	TERMINAL VOID POSITION	REMOVED POSITION KEYS	CONFIGURATION (SEE NOTES)	POLARIZING RIB	COLOUR STRIPE
92336-7501	92335-0018	NONE	NONE		NONE	NONE

### 19 CIRCUIT

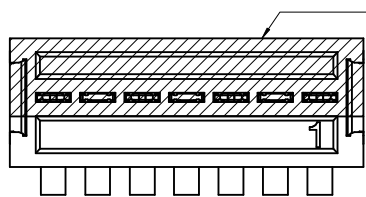
MOLEX PART NO.	MOLEX HOUSING NO.	TERMINAL VOID POSITION	REMOVED POSITION KEYS	CONFIGURATION (SEE NOTES)	POLARIZING RIB	COLOUR STRIPE
92336-8001	92335-0019	NONE	NONE		NONE	NONE

### 20 CIRCUIT

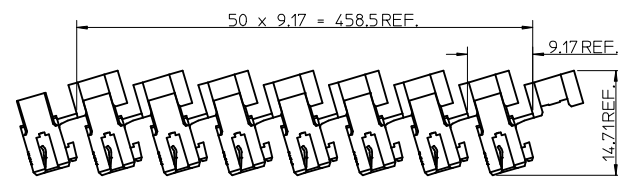
MOLEX PART NO.	MOLEX HOUSING NO.	TERMINAL VOID POSITION	REMOVED POSITION KEYS	CONFIGURATION (SEE NOTES)	POLARIZING RIB	COLOUR STRIPE
92336-8501	92335-0020	NONE	NONE		NONE	NONE

SEE SHEET 1 DRAWN BY: DR. W. K. DONOHAN CHECKED: APPR. M. SHAMHAN DATE: 2014/09/10	QUALITY SYMBOLS ∇=0 ∇=0	GENERAL TOLERANCES (UNLESS SPECIFIED) mm INCH 4 PLACES ± --- ± --- 3 PLACES ± 0.05 ± --- 2 PLACES ± 0.10 ± --- 1 PLACE ± 0.20 ± --- ANGULAR ± 1/2°	DIMENSION STYLE MM ONLY DRAWN BY: ITOURISH DATE: 2007/09/21 CHECKED BY: BRUTTLE DATE: 2007/09/21 APPROVED BY: J WALLACE DATE: 2012/01/19	SCALE: 1:1 DESIGN UNITS: METRIC THIRD ANGLE PROJECTION	TITLE: R 2.5 SIGNAL ASSY
	DRAFT WHERE APPLICABLE MUST REMAIN WITHIN DIMENSIONS		SEE CHARTS	MATERIAL NO. SD-92336-001	SHEET NO. 8 OF 8
	THIS DRAWING CONTAINS INFORMATION THAT IS PROPRIETARY TO MOLEX INCORPORATED AND SHOULD NOT BE USED WITHOUT WRITTEN PERMISSION				
	MOLEX INCORPORATED				



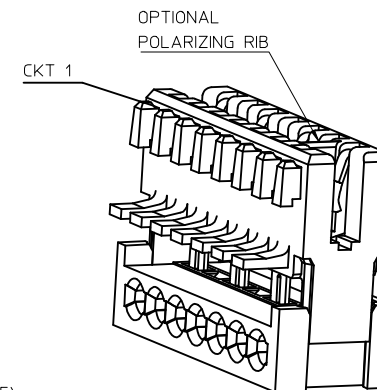
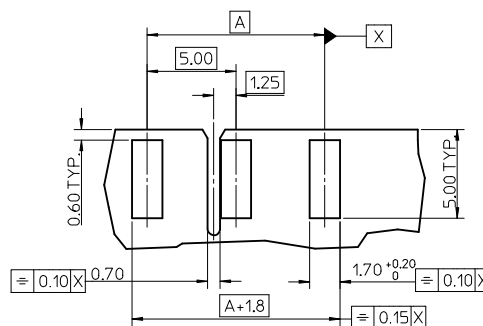
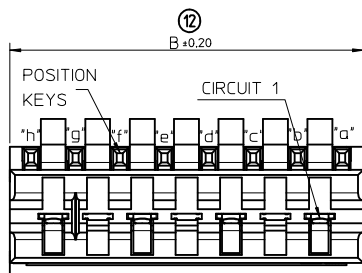
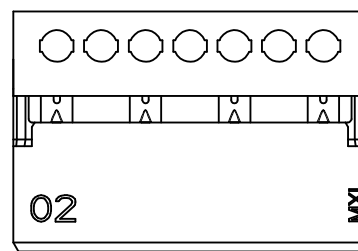
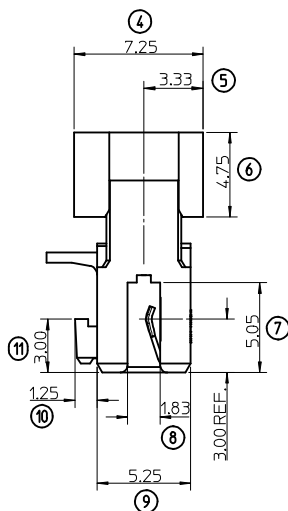
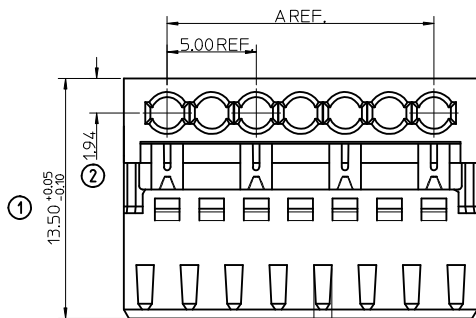


COLOUR STRIPE WITHIN SHADED AREA (SEE NOTE 3)



SHIPPING ARRANGEMENT  
SCALE 2:1

CCT	"A"	"B"
2	5	9.875
3	10	14.875
4	15	19.875
5	20	24.875
6	25	29.875
7	30	34.875
8	35	39.875
9	40	44.875
10	45	49.875



- PCB LAYOUT FOR 3CCT CONNECTOR (WITH OPTIONAL POSITIONAL RIB SLOT BETWEEN HSG CCT 4 & HSG CCT 5)
- THE POSITIONAL RIB SLOT CAN BE PLACED BETWEEN ANY TWO CIRCUITS TO SUIT MATING CONNECTOR. ABOVE SKETCH SHOWS A PARTICULAR EXAMPLE
- RECOMMENDED PCB THICKNESS 1.5±0.14mm. ALL PCB DIMENSIONS ARE REFERENCE ONLY

NOTES:

- REFER TO PRODUCT SPECIFICATION: PS-92336-001
- MATERIAL: HOUSING - PA 6. UL94-V2.  
COLOUR: NATURAL (WHITE)  
TERMINAL: COPPER ALLOY 0.25 REF. THICK  
PLATING - Sn
- COLOUR STRIPE IS OPTIONAL, AVAILABLE IN THE FOLLOWING COLOURS: RED, GREEN, BLUE.  
(BLACK SPECIFIES CUSTOMER SPECIFIC CONFIGURATION)
- REFER TO PACKAGING SPECIFICATION: PK-90871-001
- REFER TO APPLICATION SPECIFICATION: AS-99033-0008)

ADDED NEW PART NUMBERS		QUALITY SYMBOLS	GENERAL TOLERANCES (UNLESS SPECIFIED)		DIMENSION STYLE		SCALE	DESIGN UNITS	THIRD ANGLE PROJECTION	
EC NO:	DRAWN:		mm	INCH	MM ONLY	5:1	METRIC			
IPG2014-1185	2014/01/07	▽=0 ▽=0	4 PLACES ±---	±---	DRAWN BY	DATE	TITLE	RAST 2.5 SIGNAL ASSY 5MM PITCH		
MONAHAN	2014/01/07		3 PLACES ±0.05	±---	TTOURISH	08/10/23				
CHKD:			2 PLACES ±0.10	±---	CHECKED BY	DATE				
APPR:STGRIFIN	2014/01/16		1 PLACE ±0.20	±---	BRUTTLE	08/10/23				
			ANGULAR ±1/2°		APPROVED BY	DATE				
		DRAFT WHERE APPLICABLE MUST REMAIN WITHIN DIMENSIONS		BMAGUIRE	2010/12/23	MOLEX INCORPORATED		DOCUMENT NO. SD-92338-001 SHEET NO. 1 OF 3		
		SIZE A2		THIS DRAWING CONTAINS INFORMATION THAT IS PROPRIETARY TO MOLEX INCORPORATED AND SHOULD NOT BE USED WITHOUT WRITTEN PERMISSION						

## 2 CIRCUIT

MOLEX PART NO.	MOLEX HOUSING NO.	REMOVED POSITION KEYS	CONFIGURATION (SEE NOTES)	POLARIZING RIB	COLOUR STRIPE
92338-0002	92335-0003	NONE		NONE	NONE
92338-0003	92335-0003	a		NONE	NONE
92338-0004	92335-0003	b		NONE	NONE
92338-0005	92335-0003	c		NONE	NONE
92338-0006	92335-0003	d		NONE	NONE
92338-0007	92335-0003	b d		NONE	NONE
92338-0008	92335-0003	a c		NONE	NONE
92338-0009	92335-0003	a d		NONE	NONE
92338-0010	92335-0003	a b		NONE	NONE
92338-0011	92335-0003	b c		NONE	NONE
92338-0012	92335-0003	c d		NONE	NONE
92338-0014	92335-0003	b c d		NONE	NONE
92338-0013	92335-0003	b c		NONE	RED
92338-0015	92335-0003	b c d		NONE	BLUE
92338-0016	92335-0003	c d		NONE	BLUE
92338-0017	92335-0203	NONE		<b>BETWEEN H9G CKT 2&amp;3</b>	NONE
92338-0018	92335-0103	NONE		<b>BETWEEN H9G CKT 1&amp;2</b>	NONE
92338-0019	92335-0003	NONE		NONE	BLUE
92338-0020	92335-0003	a c		NONE	BLUE
92338-0021	92335-0003	b c		NONE	GREEN
92338-0022	92335-0003	a d		NONE	GREEN
92338-0023	92335-0003	NONE		NONE	GREEN
92338-0024	92335-0103	d		<b>BETWEEN H9G CKT 1&amp;2</b>	RED
92338-0025	92335-0103	a c		<b>BETWEEN H9G CKT 1&amp;2</b>	RED

## 2 CIRCUIT (cont'd)

MOLEX PART NO.	MOLEX HOUSING NO.	REMOVED POSITION KEYS	CONFIGURATION (SEE NOTES)	POLARIZING RIB	COLOUR STRIPE
92338-0026	92335-0203	a		<b>BETWEEN H9G CKT 2&amp;3</b>	NONE
92338-0027	92335-0203	NONE		<b>BETWEEN H9G CKT 2&amp;3</b>	RED
92338-0028	92335-0003	a		NONE	RED
92338-0029	92335-0003	NONE		NONE	RED
92338-0030	92335-0103	b c d		<b>BETWEEN H9G CKT 1&amp;2</b>	RED
92338-0031	92335-0203	a		<b>BETWEEN H9G CKT 2&amp;3</b>	RED
92338-0032	92335-0003	b		NONE	RED
92338-0033	92335-0003	d		NONE	YELLOW
92338-0035	92335-0003	b d		NONE	GREEN
92338-0036	92335-0103	NONE		<b>BETWEEN H9G CKT 1&amp;2</b>	RED
92338-0037	92335-0103	b d		<b>BETWEEN H9G CKT 1&amp;2</b>	RED
92338-0038	92335-0203	a c		<b>BETWEEN H9G CKT 2&amp;3</b>	NONE
92338-0039	92335-0003	a b d		NONE	NONE
92338-0040	92335-0003	a		NONE	BLUE
92338-0041	92335-0203	a d		<b>BETWEEN H9G CKT 2&amp;3</b>	BLUE
92338-0042	92335-0003	d		NONE	BLUE
92338-0044	92335-0003	ALL		NONE	BLUE
92338-0045	92335-0103	a c d		<b>BETWEEN H9G CKT 1&amp;2</b>	RED
92338-0046	92335-0103	a b d		<b>BETWEEN H9G CKT 1&amp;2</b>	GREEN
92338-0047	92335-0203	a b d		<b>BETWEEN H9G CKT 2&amp;3</b>	BLACK

### NOTES

- + DENOTES TERMINAL VOIDED POSITION
  - ⊕ DENOTES TERMINAL LOADED POSITION
  - ! DENOTES POLARIZING RIB POSITION
- HOUSING NUMBER FOR MOLEX REFERENCE ONLY

## 3 CIRCUIT

MOLEX PART NO.	MOLEX HOUSING NO.	REMOVED POSITION KEYS	CONFIGURATION (SEE NOTES)	POLARIZING RIB	COLOUR STRIPE
92338-1001	92335-0005	NONE		NONE	NONE
92338-1002	92335-0005	b		NONE	NONE
92338-1003	92335-0005	c		NONE	NONE
92338-1004	92335-0005	c d e		NONE	NONE
92338-1005	92335-0405	NONE		<b>BETWEEN H9G CKT 4&amp;5</b>	NONE
92338-1007	92335-0105	NONE		<b>BETWEEN H9G CKT 1&amp;2</b>	NONE
92338-1008	92335-0005	d e f		NONE	RED
92338-1009	92335-0005	a b c		NONE	RED
92338-1010	92335-0005	a c d e		NONE	NONE
92338-1011	92335-0005	a c d e		NONE	BLUE
92338-1012	92335-0005	d e f		NONE	NONE

## 4 CIRCUIT

MOLEX PART NO.	MOLEX HOUSING NO.	REMOVED POSITION KEYS	CONFIGURATION (SEE NOTES)	POLARIZING RIB	COLOUR STRIPE
92338-2001	92335-0007	NONE		NONE	NONE
92338-2002	92335-0007	a		NONE	NONE
92338-2003	92335-0007	b		NONE	NONE
92338-2004	92335-0007	d f		NONE	NONE
92338-2005	92335-0007	a e g		NONE	RED
92338-2006	92335-0007	c e		NONE	NONE
92338-2007	92335-0007	NONE		NONE	BLUE

<b>REMOVED DUPLICATE PART NOS</b> ELEC NO: IPC2014-1185 DRAWN BY: DRWINCHONWAN CHKD: APPR:STRIFE IN DATE: 2014/01/16	QUALITY SYMBOLS ▽=0 ▽=0	GENERAL TOLERANCES (UNLESS SPECIFIED) mm INCH 4 PLACES ± --- ± --- 3 PLACES ± 0.05 ± --- 2 PLACES ± 0.10 ± --- 1 PLACE ± 0.20 ± --- ANGULAR ± 1/2°	DIMENSION STYLE MM ONLY	SCALE 1:1	DESIGN UNITS METRIC	THIRD ANGLE PROJECTION
	DRAWN BY: TOURISH CHECKED BY: BRUTTLE APPROVED BY: BMAGUIRE DATE: 08/10/23 DATE: 08/10/23 DATE: 2010/12/23	TITLE RAST 2.5 SIGNAL ASSY 5MM PITCH	MATERIAL NO. SEE CHARTS	DOCUMENT NO. SD-92338-001	SHEET NO. 2 OF 3	
	DRAFT WHERE APPLICABLE MUST REMAIN WITHIN DIMENSIONS					
	THIS DRAWING CONTAINS INFORMATION THAT IS PROPRIETARY TO MOLEX INCORPORATED AND SHOULD NOT BE USED WITHOUT WRITTEN PERMISSION					

5 CIRCUIT					
MOLEX PART NO.	MOLEX HOUSING NO.	REMOVED POSITION KEYS	CONFIGURATION (SEE NOTES)	POLARIZING RIB	COLOUR STRIPE
92338-3001	92335-0009	NONE		NONE	NONE
92338-3002	92335-0009	b c g h i		NONE	<b>GREEN</b>

8 CIRCUIT					
MOLEX PART NO.	MOLEX HOUSING NO.	REMOVED POSITION KEYS	CONFIGURATION (SEE NOTES)	POLARIZING RIB	COLOUR STRIPE
92338-6001	92335-0015	NONE		NONE	NONE

6 CIRCUIT					
MOLEX PART NO.	MOLEX HOUSING NO.	REMOVED POSITION KEYS	CONFIGURATION (SEE NOTES)	POLARIZING RIB	COLOUR STRIPE
92338-4001	92335-0011	NONE		NONE	NONE
92338-4002	92335-0011	b c d e f g h i k		NONE	NONE
92338-4008	92335-0011	NONE		NONE	<b>BLUE</b>

9 CIRCUIT					
MOLEX PART NO.	MOLEX HOUSING NO.	REMOVED POSITION KEYS	CONFIGURATION (SEE NOTES)	POLARIZING RIB	COLOUR STRIPE
92338-7001	92335-0017	NONE		NONE	NONE

7 CIRCUIT					
MOLEX PART NO.	MOLEX HOUSING NO.	REMOVED POSITION KEYS	CONFIGURATION (SEE NOTES)	POLARIZING RIB	COLOUR STRIPE
92338-5001	92335-0013	a c e g i k m		NONE	NONE
92338-5002	92335-0013	NONE		NONE	<b>BLUE</b>

10 CIRCUIT					
MOLEX PART NO.	MOLEX HOUSING NO.	REMOVED POSITION KEYS	CONFIGURATION (SEE NOTES)	POLARIZING RIB	COLOUR STRIPE
92338-8001	92335-0019	NONE		NONE	NONE

NOTES  
 1. + DENOTES TERMINAL VOIDED POSITION  
 ⊕ DENOTES TERMINAL LOADED POSITION  
 † DENOTES POLARIZING RIB POSITION  
 2. HOUSING NUMBER FOR MOLEX REFERENCE ONLY

SEE SHEET 1 EC NO: IPG2014-1185 DRAWN BY: DRWINCHONHAN CHKD: APPR: STRIFFEIN DATE: 2014/01/16	QUALITY SYMBOLS	GENERAL TOLERANCES (UNLESS SPECIFIED)	DIMENSION STYLE	SCALE	DESIGN UNITS	THIRD ANGLE PROJECTION
		mm    INCH 4 PLACES ± --- ± --- 3 PLACES ± 0.05 ± --- 2 PLACES ± 0.10 ± --- 1 PLACE ± 0.20 ± --- ANGULAR ± 1/2°	M M ONLY DRAWN BY: TOURISH    DATE: 08/10/23 CHECKED BY: BRUTTLE    DATE: 08/10/23 APPROVED BY: BMAGUIRE    DATE: 2010/12/23	5:1	METRIC	
	DRAFT WHERE APPLICABLE MUST REMAIN WITHIN DIMENSIONS	SEE CHARTS	MATERIAL NO. SD-92338-001	TITLE RAST 2.5 SIGNAL ASSY 5MM PITCH	MOLEX INCORPORATED	SHEET NO. 3 OF 3
	THIS DRAWING CONTAINS INFORMATION THAT IS PROPRIETARY TO MOLEX INCORPORATED AND SHOULD NOT BE USED WITHOUT WRITTEN PERMISSION					