

D0107LT-33-0701A_Rev1A

Vacuum Fluorescent Display Module

RoHS Compliant

Newhaven Display International, Inc.

2661 Galvin Ct.

Elgin IL, 60124

Ph: 847-844-8795

Fax: 847-844-8796

www.newhavendisplay.com

nhtech@newhavendisplay.com

nhsales@newhavendisplay.com

Document Revision History

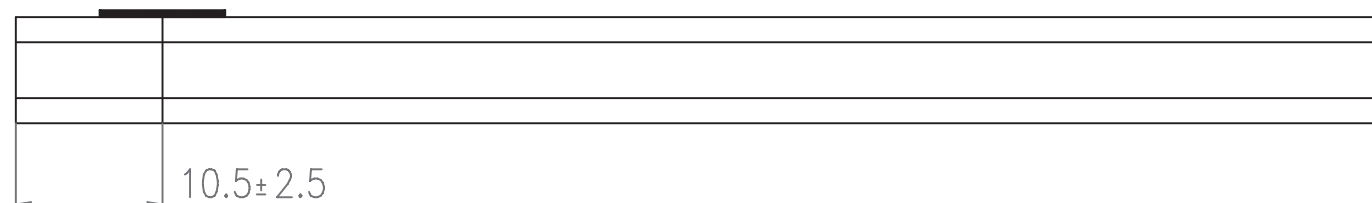
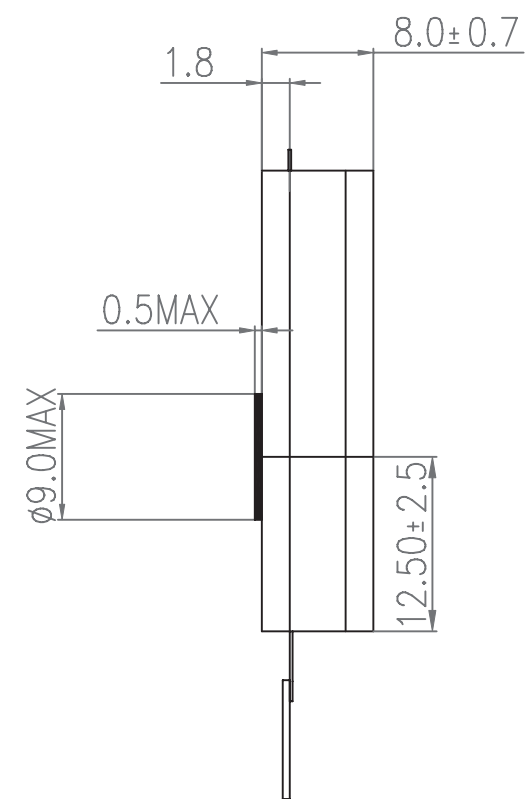
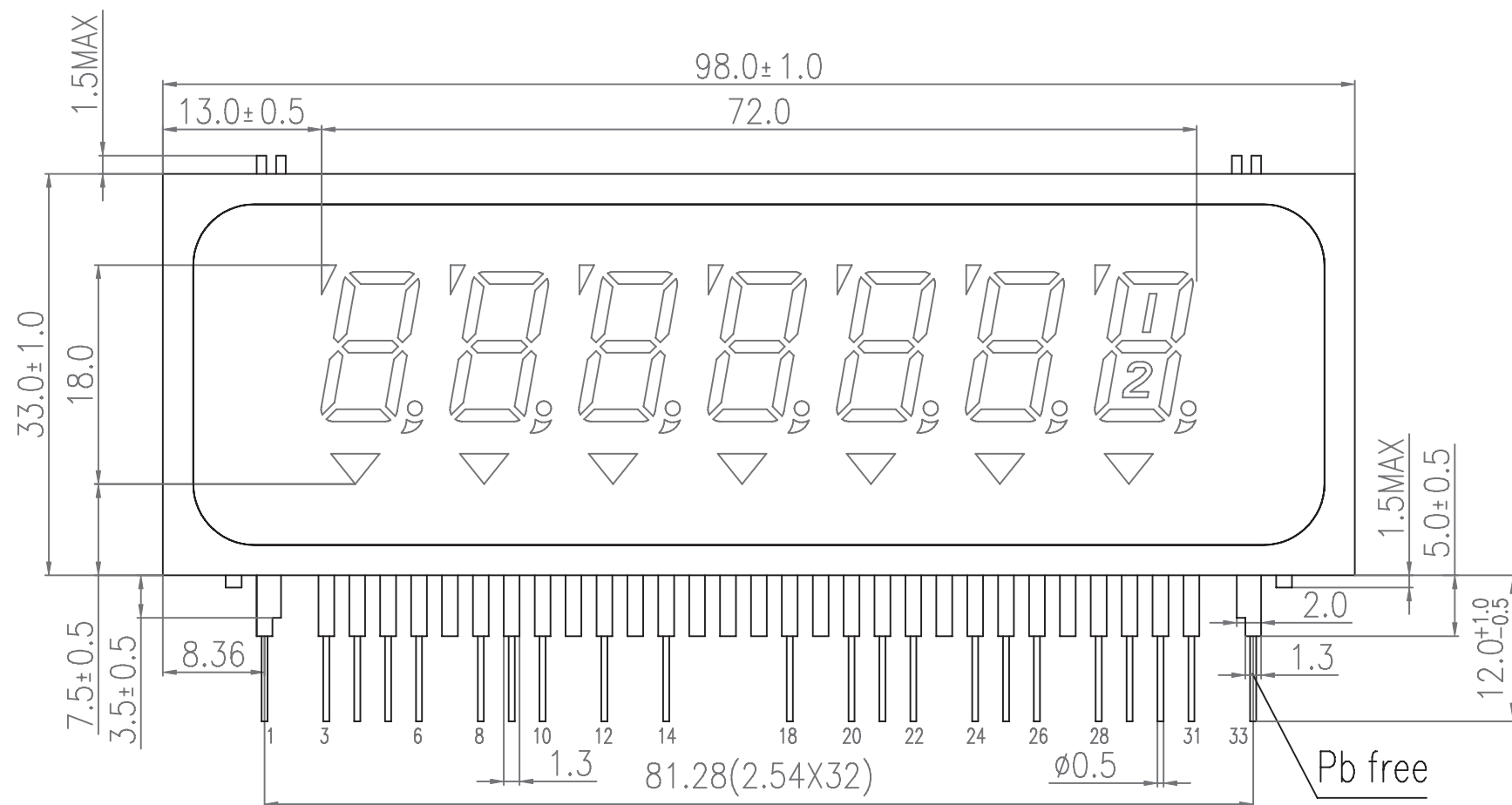
Revision	Date	Description	Changed by
0	4/26/03	Initial Release	-
1	6/2/20	Datasheet Reformat, Inclusion of 2D Mechanical Drawing Part Upgraded to Rev1A	AS
2	6/23/20	Inclusion of Grid Assignment & Anode Connection	AS

Functions and Features

- 7 Digits
- 7-Segmented
- Character Display (7-Segmented)

Mechanical Drawing

SYMBOL	REVISION	DATE



(PIN CONNECTION)

(PIN NO.)	1	2	3	4	5	6	7	8	9	10	11	12	13	14	15	16	17	18
(CONNECTION)	F	NP	P1	P2	P3	7G	NX	P4	P5	6G	NX	P6	NX	5G	NX	NX	NX	4G
(PIN NO.)	19	20	21	22	23	24	25	26	27	28	29	30	31	32	33			
(CONNECTION)	NX	P7	P8	3G	NX	P9	P10	2G	NX	P11	P12	1G	P13	NP	F			

Note : F: (Filament) P: (Anode) G: (Grid) NP: (No pin) NX: (No extend pin)

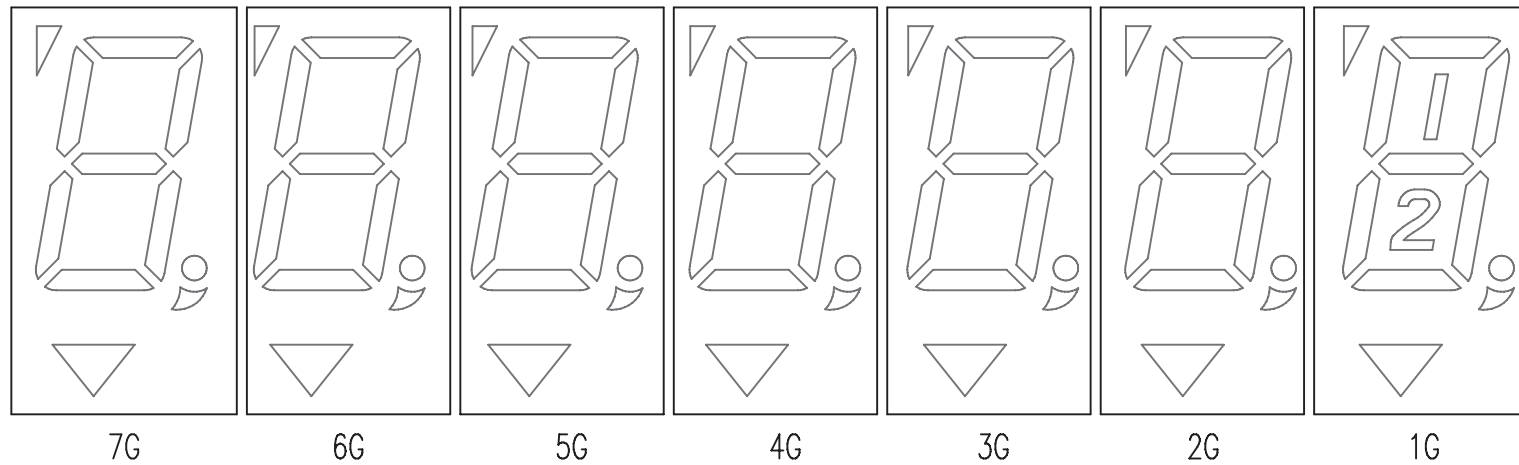
Notes:

1. Panel Length: 98.0 ± 1.0 mm
2. Panel Height: 33.0 ± 1.0 mm
3. Panel Thickness: 8.0 ± 0.7 mm
4. Illumination Color: Green

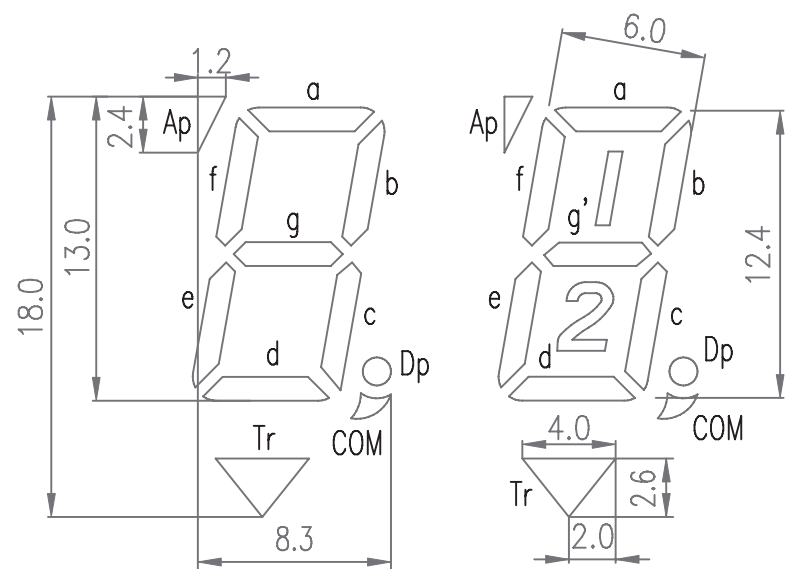
STANDARD TOLERANCE: (UNLESS OTHERWISE SPECIFIED)		
LINEAR: ± 0.3 mm	DRAWING/PART NUMBER: NHD-0107LT-33-0701A	REVISION: 1A
UNLESS OTHERWISE SPECIFIED: - DIMENSIONS ARE IN MILLIMETERS - THIRD ANGLE PROJECTION	DRAWN BY: A. Shah DRAWN DATE: 6/2/20	APPROVED BY: A. Shah APPROVED DATE: 6/2/20
	DO NOT SCALE DRAWING	SCALE: A3 NS
THIS DRAWING IS SOLELY THE PROPERTY OF NEWHAVEN DISPLAY INTERNATIONAL, INC. THE INFORMATION IT CONTAINS IS NOT TO BE DISCLOSED, REPRODUCED OR COPIED IN WHOLE OR PART WITHOUT WRITTEN APPROVAL FROM NEWHAVEN DISPLAY.		
	SHEET 1 OF 1	

Grid Assignment + Anode Connection

SYMBOL	REVISION	DATE



	1G	2G	3G	4G	5G	6G	7G
P1	Ap	Ap	Ap	Ap	Ap	Ap	Ap
P2	f	f	f	f	f	f	f
P3	—	g	g	g	g	g	g
P4	e	e	e	e	e	e	e
P5	d	d	d	d	d	d	d
P6	Tr	Tr	Tr	Tr	Tr	Tr	Tr
P7	COM	COM	COM	COM	COM	COM	COM
P8	DP	DP	DP	DP	DP	DP	DP
P9	c	c	c	c	c	c	c
P10	12	—	—	—	—	—	—
P11	g'	—	—	—	—	—	—
P12	b	b	b	b	b	b	b
P13	a	a	a	a	a	a	a



STANDARD TOLERANCE: (UNLESS OTHERWISE SPECIFIED)		
	LINEAR: ±0.3mm	DRAWING/PART NUMBER: NHD-0107LT-33-0701A
UNLESS OTHERWISE SPECIFIED: - DIMENSIONS ARE IN MILLIMETERS - THIRD ANGLE PROJECTION	DRAWN BY: A. Shah	APPROVED BY: A. Shah
	DRAWN DATE: 6/23/20	APPROVED DATE: 6/23/20
	DO NOT SCALE DRAWING	SHEET 1 OF 1
THIS DRAWING IS SOLELY THE PROPERTY OF NEWHAVEN DISPLAY INTERNATIONAL, INC. THE INFORMATION IT CONTAINS IS NOT TO BE DISCLOSED, REPRODUCED OR COPIED IN WHOLE OR PART WITHOUT WRITTEN APPROVAL FROM NEWHAVEN DISPLAY.		

Electrical Characteristics

Item	Symbol	Condition	Min.	Typ.	Max.	Unit
Operating Temperature Range	T _{OP}	Absolute Max	-20	-	+70	°C
Storage Temperature Range	T _{ST}	Absolute Max	-55	-	+80	°C
Filament Voltage	E _F	-	2.97	3.3	3.63	Vac
Peak Grid Voltage	E _C	-	31.5	35	38.5	Vp-p
Peak Anode Voltage	E _B	-	31.5	35	38.5	Vp-p
Filament Current	I _F	E _F = 3.3Vac E _B = E _C = 0	121	135	149	mAac
Anode Current	I _B /1G-7G	E _F = 3.3Vac E _B = 35.0Vp-p	-	6	12	mA _{p-p}
Grid Current	I _B /1G-7G	E _C = 35.0Vp-p	-	7	14	mA _{p-p}
Luminance	L _G	D _U = 1/10 T _P = 100 μS	430	860	-	Cd/m ²
Luminance Ratio	L _{max} /min	-	-	-	2	-
Grid Cut-off Voltage	E _{CCO}	E _F = 3.3Vac E _B = 35.0Vdc	-4	-	-	Vdc
Anode Cut-off Voltage	E _{BCO}	E _F = 3.3Vac E _C = 35.0Vdc D _U = 1/10 T _P = 100 μS	-2	-	-	Vdc
Duty Cycle	D _U	-	-	1/10	-	-
Pulse Width	T _P	-	-	100	-	μS