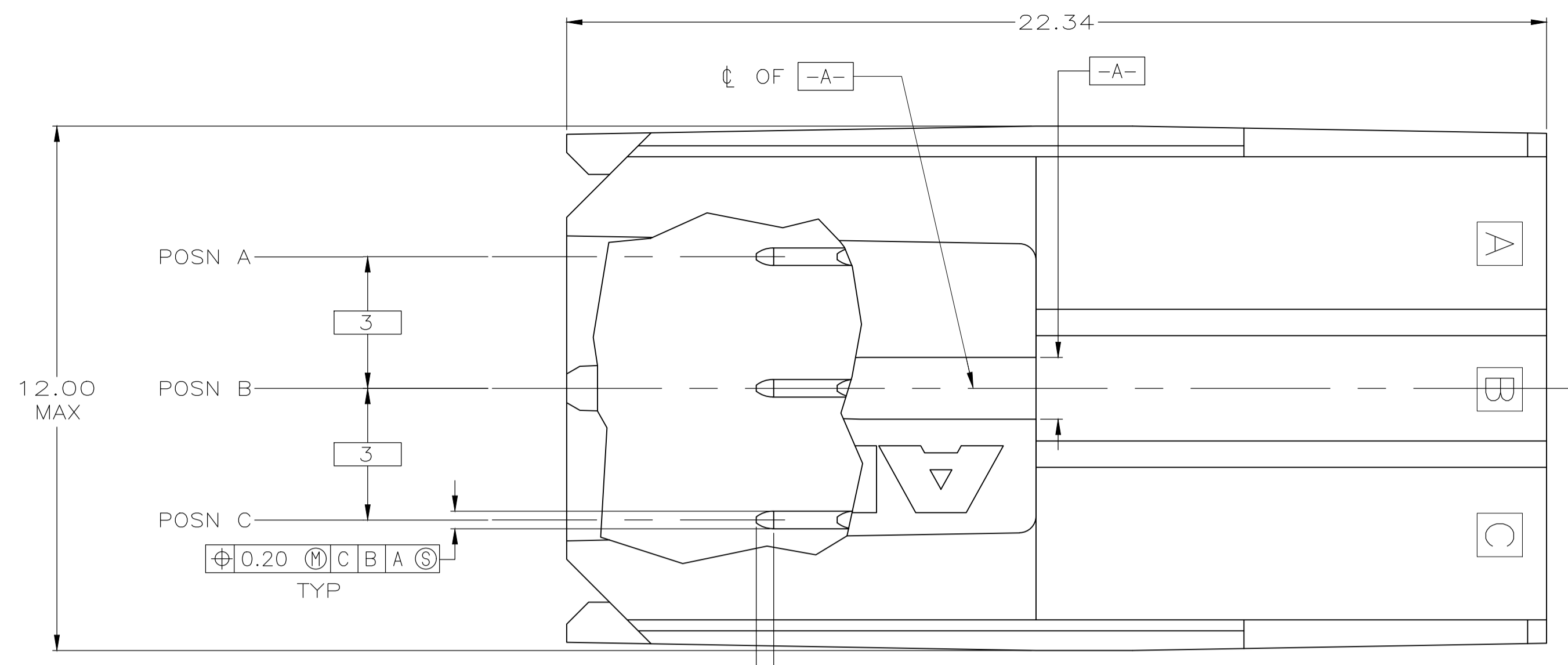
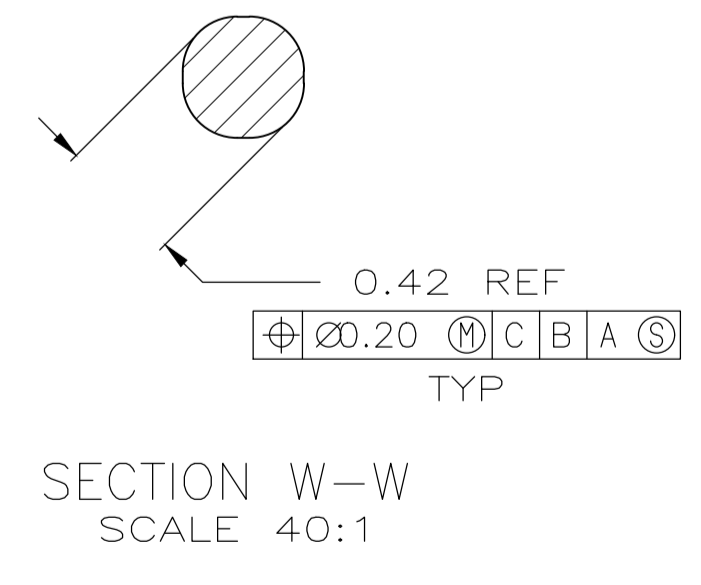
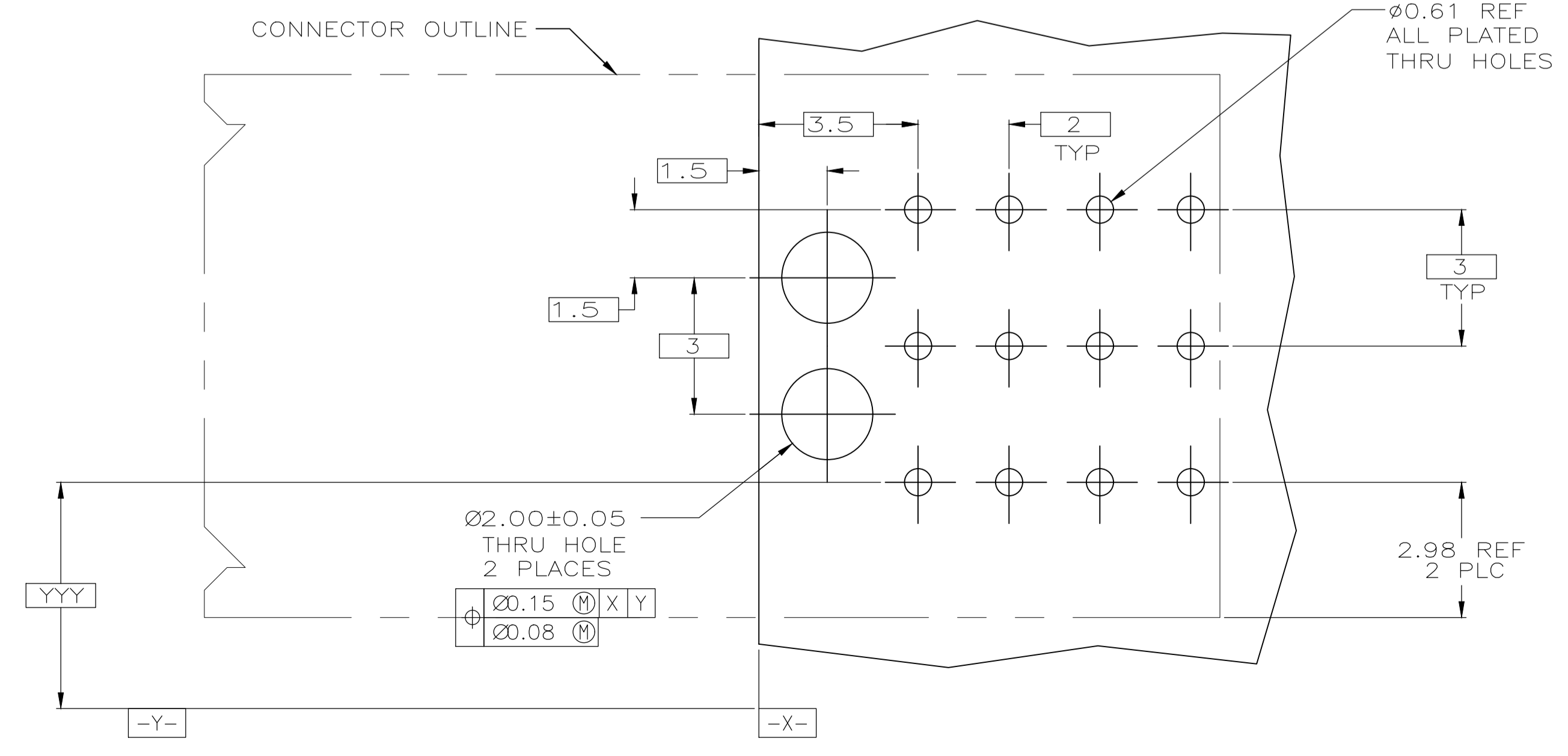
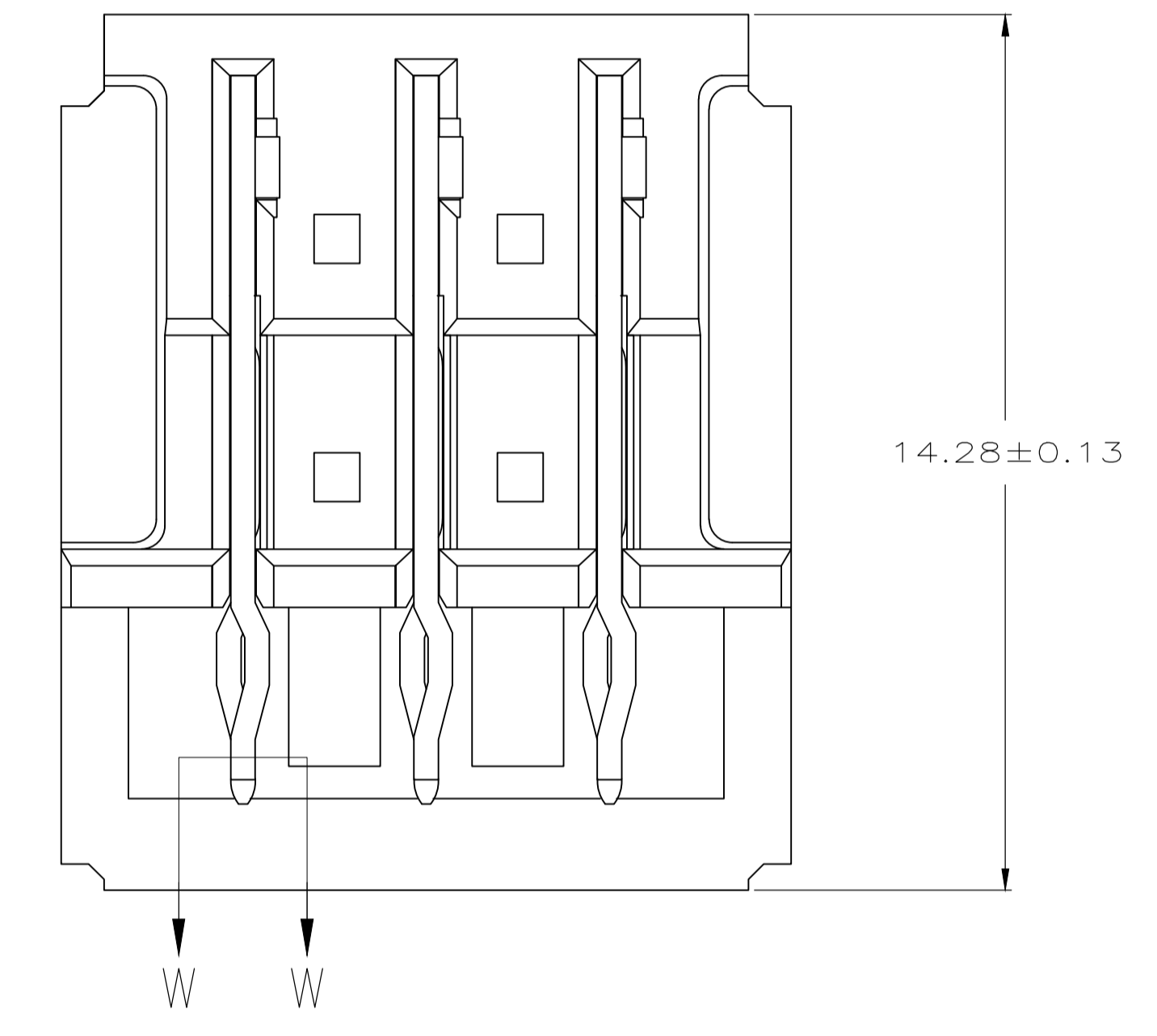
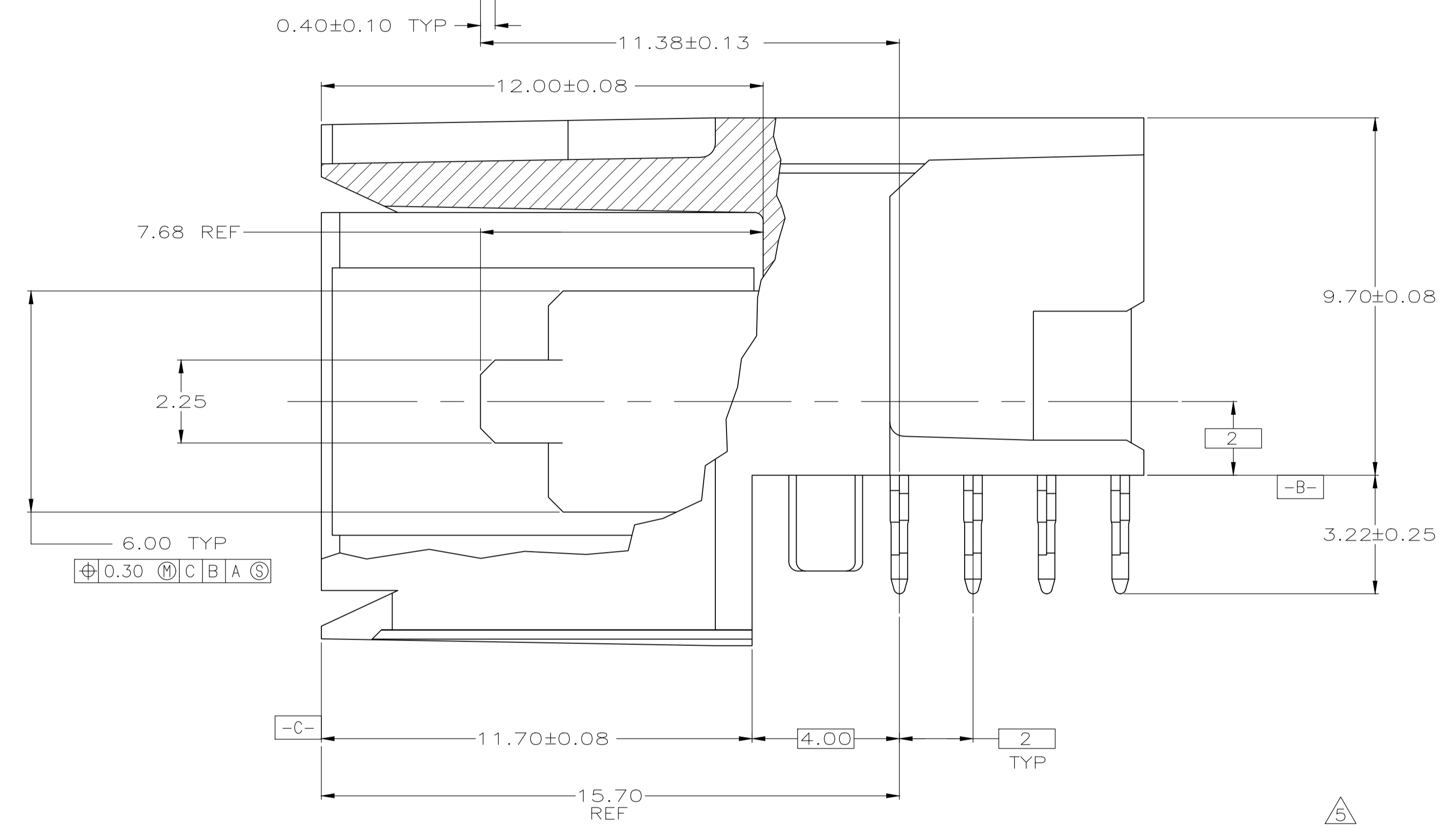
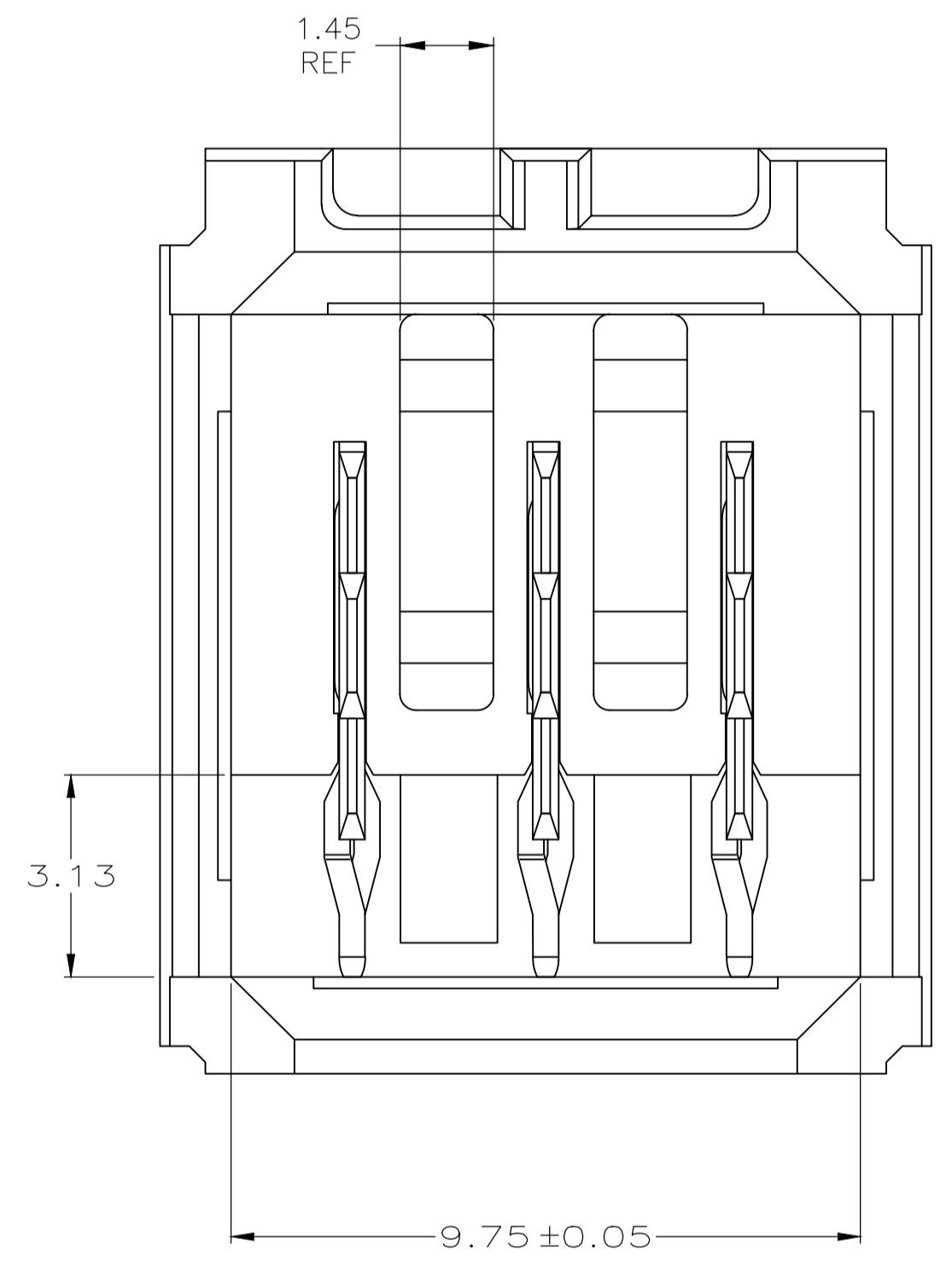


LOC		DIST		REVISIONS			
AD	00	REV	PER	ECO	DATE	BY	APPROV
C1		REV	PER	ECO-20-004668	08JUN2020	ML	SZ



- 1 MATERIAL: HOUSING: POLYESTER. COLOR: GRAY. UL 94V-O. CONTACT: PHOSPHOR BRONZE.
- 2 FINISH: IN ACCORDANCE WITH PRODUCT SPECIFICATION 108-1651, GOLD PLATING OR EQUIVALENT PLATING ON PRODUCT CONTACT MATING AREA, AND MATTE TIN PLATING ON COMPLIANT PIN AREA, ALL OVER MATTE NICKEL UNDERPLATED. DETAIL PLEASE REFER TO PRODUCT SPECIFICATION 108-1651.
- 3 FINISH: CONTACT LUBRICATION WITH BELLCORE APPROVED LUBRICANT. TECHNICAL REFERENCE: TR-NWT-001217 ISSUE 1, SEPT 1992.
- 4 MATERIAL: HOUSING: POLYESTER. COLOR: GRAY. UL 94V-O. CONTACT: HIGH CURRENT COPPER ALLOY.
- 5 REFERENCE APPLICATION SPEC 114-1103 FOR RECOMMENDED PLATED THRU HOLE DIAMETER AND PLATING THICKNESS.
- 6 CURRENT RATING 10A/CONTACT FOR PHOS BRONZE CONTACTS AND 16A/CONTACT FOR HIGH CURRENT COPPER ALLOY CONTACTS PER PRODUCT SPEC 108-1651.



RECOMMENDED PCB HOLE LAYOUT

THIS DRAWING IS A CONTROLLED DOCUMENT.		DIN: B. CARBO 130EC04	Tyco Electronics Corporation Harrisburg, Pa 17105-3608
DIMENSIONS: mm		CHK: R. PATTERSON 130EC04	
TOLERANCES UNLESS OTHERWISE SPECIFIED:		APP'D: R. PATTERSON 130EC04	NAME: R. PATTERSON
0. PLC ± -	1. PLC ± -	PRODUCT SPEC: 108-1651	ASSEMBLY, RIGHT ANGLE HEADER, W/ RETENTION PEGS, UNIVERSAL POWER MODULE
2. PLC ± 0.13	3. PLC ± -	APPLICATION SPEC: 114-1103	SIZE: A1
4. PLC ± -	ANGLES ± -	WEIGHT: -	CAGE CODE: 00779
MATERIAL: SEE TABLE		FINISH: SEE TABLE	REV: C=5223974
CUSTOMER DRAWING		SCALE: 10:1	SHEET: 1 of 1