

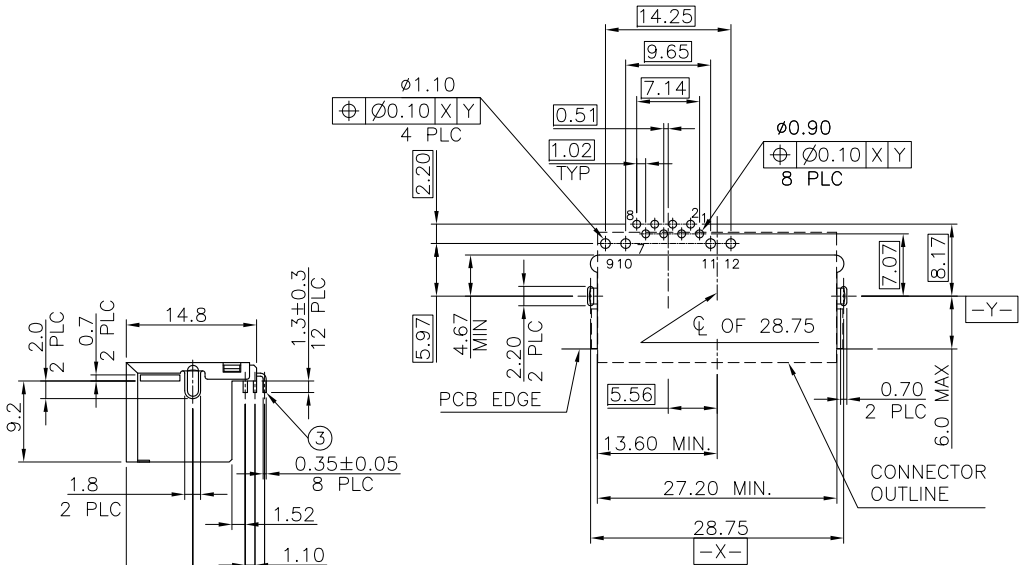
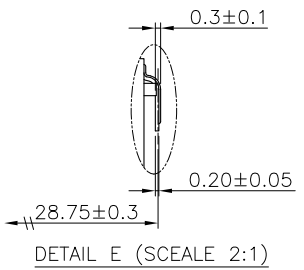
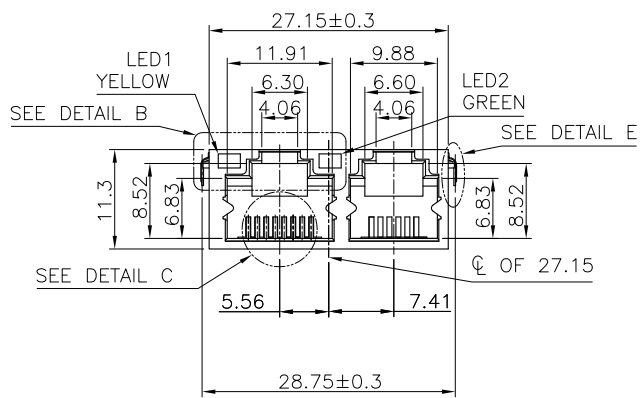
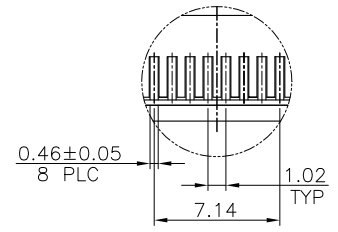
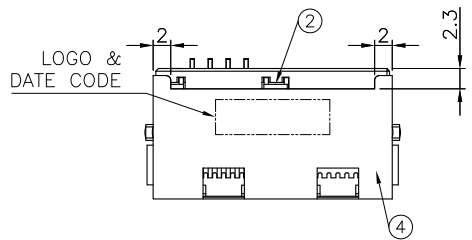
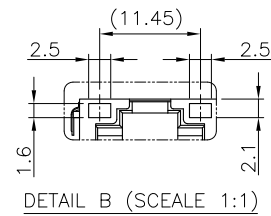
RECOMMENDED PCB LAYOUT
 RECOMMENDED PCB THICKNESS: 1.2mm
 TOLERANCE: ±0.05 (TOP VIEW)

LED SCHEMATIC	
LED1	LED2
YELLOW	GREEN
9 10	11 12

OBSOLETE	1.27µm [50µ"]	-2041120-4-
	0.762µm [30µ"]	-2041120-3-
	0.381µm [15µ"]	-2041120-2-
	0.152µm [6µ"]	2041120-1
	MIN. GOLD THICKNESS	PART NUMBER

- NOTE:
- MATERIAL:
 - ① HOUSING: PA9T, WITH 30% GF, UL94 V-0, BLACK COLOR.
 - ② LED COVER: PA9T, WITH 30% GF, UL94 V-0, BLACK COLOR.
 - ③ CONTACTS: PHOSPHOR BRONZE.
 - ④ SHELL: BRASS.
 - ⑤ LED SOLDER TAIL: STEEL.
 - FINISH:
 - CONTACTS: (SEE TABLE) GOLD PLATED ON CONTACT AREA, GOLD FLASH ON SOLDER TAIL, 1.27µm [50µ"] MIN. NICKEL ENTIRE CONTACT UNDERPLATED
 - SHELL: 0.508µm [20µ"] MIN. NICKEL PLATED.
 - LED SOLDER TAIL: 2.159µm [85µ"] MIN. TIN PLATED.
 - WAVE SOLDER CAPABLE TO 265°C PER TE SPEC 109-202, CONDITION B.

THIS DRAWING IS A CONTROLLED DOCUMENT.		DWN B. HSING 24APR2009	TE Connectivity	
DIMENSIONS: MM		CHK S. CHIEN 24APR2009		
TOLERANCES UNLESS OTHERWISE SPECIFIED:		APVD W. KODAMA 24APR2009	NAME	
0 PLC ± - 1 PLC ± 0.30 2 PLC ± 0.20 3 PLC ± 0.15 4 PLC ± - ± 3° ANGLES ± - ± 3°		PRODUCT SPEC 108-57760	MODULAR JACK, RJ45+RJ11 DIP TYPE	
MATERIAL SEE NOTE		FINISH SEE NOTE	APPLICATION SPEC -	RESTRICTED TO -
		WEIGHT 3.70 GRAMS	SIZE A3	CAGE CODE -
		CUSTOMER DRAWING	DRAWING NO. ©=2041120	SCALE -
			SHEET 1 of 3	REV B



RECOMMENDED PCB LAYOUT
 RECOMMENDED PCB THICKNESS: 1.2mm
 TOLERANCE: ±0.05 (TOP VIEW)

LED SCHEMATIC	
LED1	LED2
YELLOW	GREEN
9 10	11 12

- NOTE:
- MATERIAL:
 - ① HOUSING: PA9T, WITH 30% GF, UL94 V-0, BLACK COLOR.
 - ② LED COVER: PA9T, WITH 30% GF, UL94 V-0, BLACK COLOR.
 - ③ CONTACTS: PHOSPHOR BRONZE.
 - ④ SHELL: BRASS.
 - ⑤ LED SOLDER TAIL: STEEL.
 - FINISH:
 - CONTACTS: (SEE TABLE) GOLD PLATED ON CONTACT AREA, GOLD FLASH ON SOLDER TAIL, 1.27µm [50µ"] MIN. NICKEL. ENTIRE ONTACT UNDERPLATED
 - SHELL: 0.508µm [20µ"] MIN. NICKEL PLATED.
 - LED SOLDER TAIL: 2.159µm [85µ"] MIN. TIN PLATED.
 - WAVE SOLDER CAPABLE TO 265°C PER TE SPEC 109-202, CONDITION B.

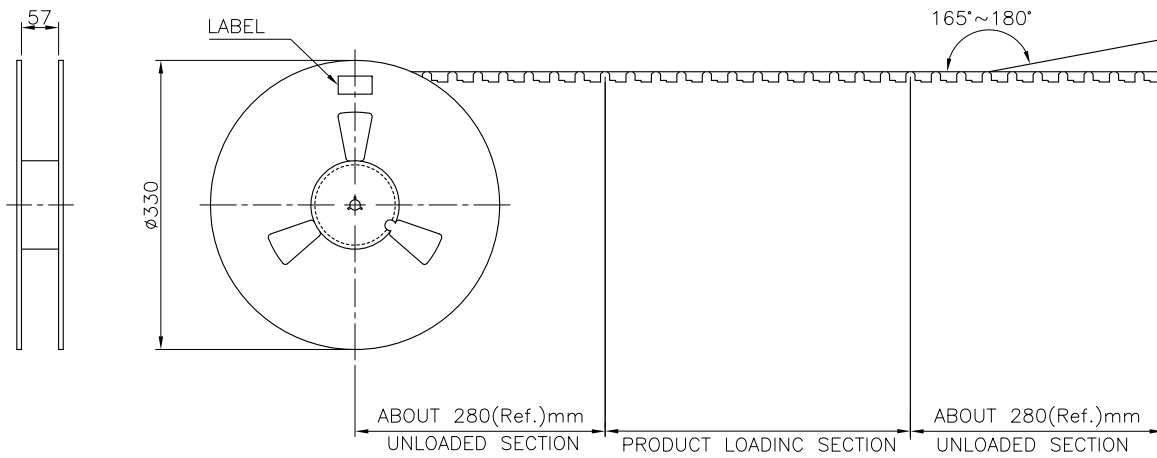
OBSOLETE	1.27µm [50µ"]	1-2041120-4
	0.762µm [30µ"]	1-2041120-3
	0.381µm [15µ"]	1-2041120-2
	0.152µm [6µ"]	1-2041120-1
	MIN. GOLD THICKNESS	PART NUMBER

THIS DRAWING IS A CONTROLLED DOCUMENT.		DWN	TE Connectivity	
DIMENSIONS: MM		CHK	NAME	
TOLERANCES UNLESS OTHERWISE SPECIFIED:		APVD	MODULAR JACK, RJ45+RJ11 DIP TYPE	
0 PLC ± -		PRODUCT SPEC	SIZE CAGE CODE DRAWING NO RESTRICTED TO	
1 PLC ± 0.30		APPLICATION SPEC	WEIGHT 3.63 GRAMS A3 - ©=2041120	
2 PLC ± 0.20		WEIGHT	CUSTOMER DRAWING SCALE SHEET 2 of 3 REV B	
3 PLC ± 0.15				
4 PLC ± -				
ANGLES ± 3'				
MATERIAL SEE NOTE				
FINISH SEE NOTE				

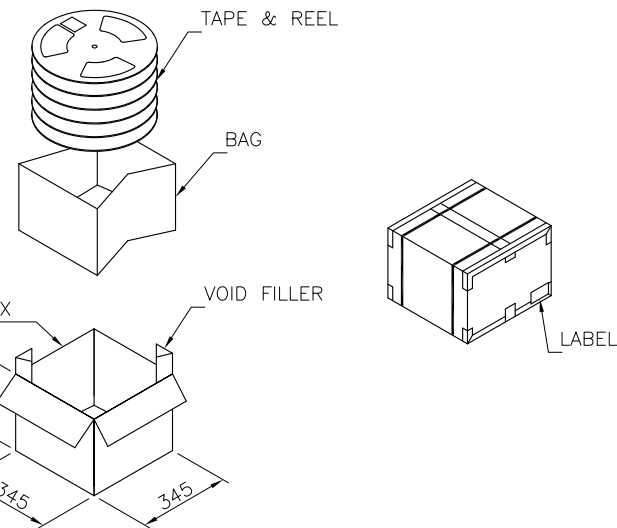
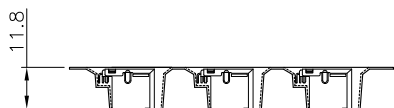
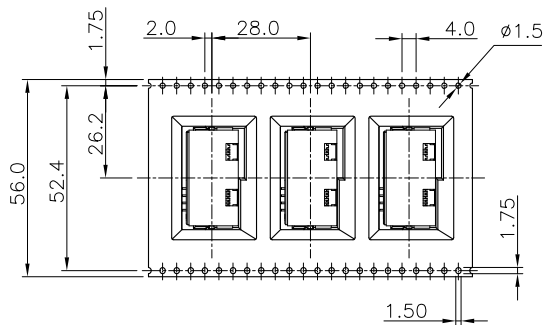
THIS DRAWING IS UNPUBLISHED. RELEASED FOR PUBLICATION AUG ,2006.

© COPYRIGHT BY TYCO ELECTRONICS CORPORATION. ALL RIGHTS RESERVED.

LOC	DIST	REVISIONS					
DW		P	LTR	DESCRIPTION	DATE	DWN	APVD
				SEE SHEET 1.			



USER DIRECTION OF UNREELING →



5.7 Kg	3.7 Kg	200	5	1000 PCS
GROSS WEIGHT (Ref.)	NET WEIGHT (Ref.)	PCS/REEL	REELS /BOX	QUANTITY

THIS DRAWING IS A CONTROLLED DOCUMENT.		DWN	STE TE Connectivity		
DIMENSIONS: MM		CHK			
TOLERANCES UNLESS OTHERWISE SPECIFIED:		APVD	MODULAR JACK, RJ45+RJ11 DIP TYPE		
0 PLC ± -		PRODUCT SPEC	SIZE CAGE CODE DRAWING NO RESTRICTED TO		
1 PLC ± -		APPLICATION SPEC	A3	-	©=2041120
2 PLC ± -		WEIGHT	CUSTOMER DRAWING		
3 PLC ± -			SCALE	SHEET	3 of 3
4 PLC ± -					REV B
ANGLES ± -					
FINISH					