

NB6L72M

2.5V / 3.3V Differential 2 X 2 Crosspoint Switch with CML Outputs

Multi- Level Inputs w/ Internal Termination

Description

The NB6L72M is a clock or data high-bandwidth fully differential 2 x 2 Crosspoint Switch with internal source termination and CML output structure, optimized for low skew and minimal jitter. The differential inputs incorporate internal 50 Ω termination resistors and will accept LVPECL, CML, LVDS, LVCMOS, or LVTTTL logic levels. The SELECT inputs are single-ended and can be driven with LVCMOS/LVTTTL.

The 16 mA differential CML outputs provide matching internal 50 Ω terminations and 400 mV output swings when externally terminated with a 50 Ω resistor to V_{CC} .

The device is offered in a small 3 mm x 3 mm 16-pin QFN package.

The NB6L72M is a member of the ECLinPS MAX™ family of high performance clock and data management products.

Features

- Input Clock Frequency > 3.0 GHz
- Input Data Rate > 3 Gb/s
- 360 ps Typical Propagation Delay
- 65 ps Typical Rise and Fall Times
- Differential CML Outputs, 380 mV peak-to-peak, typical
- Operating Range: $V_{CC} = 2.375$ V to 3.63 V with GND = 0 V
- Internal Input and Output Termination Resistors, 50 Ω
- Functionally Compatible with Existing 2.5 V / 3.3 V LVEL, LVEP, EP, and SG Devices
- -40 °C to +85°C Ambient Operating Temperature
- These are Pb-Free Devices



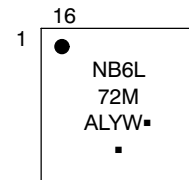
ON Semiconductor®

<http://onsemi.com>

MARKING DIAGRAM*



QFN-16
MN SUFFIX
CASE 485G



A = Assembly Location
L = Wafer Lot
Y = Year
W = Work Week
▪ = Pb-Free Package
(Note: Microdot may be in either location)

*For additional marking information, refer to Application Note AND8002/D.

ORDERING INFORMATION

See detailed ordering and shipping information in the package dimensions section on page 9 of this data sheet.

NB6L72M

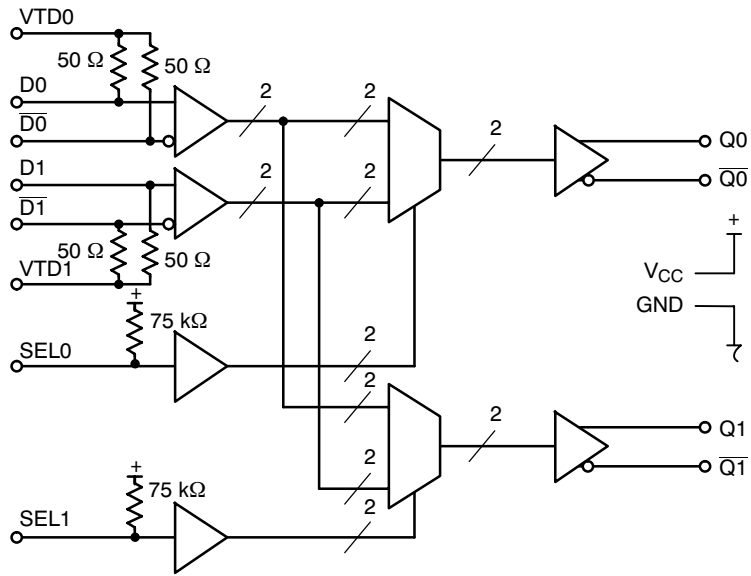


Figure 1. Logic/Block Diagram

NB6L72M

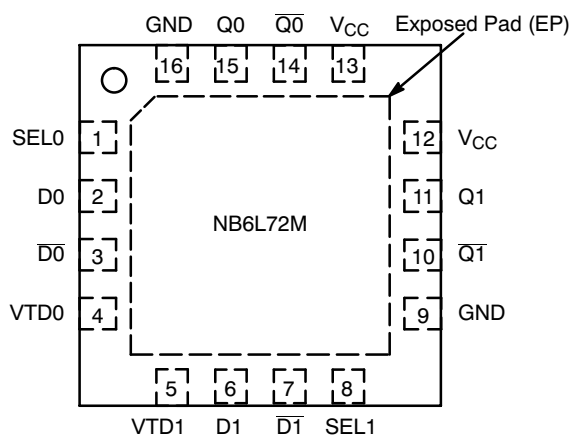


Figure 2. Pin Configuration (Top View)

Table 1. INPUT/OUTPUT SELECT TRUTH TABLE

| SEL0* | SEL1* | Q0 | Q1 |
|-------|-------|----|----|
| L | L | D0 | D0 |
| H | L | D1 | D0 |
| L | H | D0 | D1 |
| H | H | D1 | D1 |

*Defaults HIGH when left open

Table 2. PIN DESCRIPTION

| Pin | Name | I/O | Description |
|-----|-----------------|--|--|
| 1 | SEL0 | LVTTTL, LVCMOS Input | Select Logic Input control that selects D0 or D1 to output Q0. See Table 1, Select Input Function Table. Pin defaults HIGH when left open |
| 2 | D0 | LVPECL, CML, LVDS, LVTTTL, LVCMOS, Input | Noninverted Differential Input. Note 1 |
| 3 | D0-bar | LVPECL, CML, LVDS, LVTTTL, LVCMOS, Input | Inverted Differential Input. Note 1 |
| 4 | VTD0 | - | Internal 50 Ω Termination Pin. Note 1. |
| 5 | VTD1 | - | Internal 50 Ω termination pin. Note 1. |
| 6 | D1 | LVPECL, CML, LVDS, LVTTTL, LVCMOS, Input | Noninverted Differential Input. Note 1. |
| 7 | D1-bar | LVPECL, CML, LVDS, LVTTTL, LVCMOS, Input | Inverted Differential Input. Note 1 |
| 8 | SEL1 | LVTTTL, LVCMOS Input | Select Logic Input control that selects D0 or D1 to output Q1. See Table 1, Select Input Function Table. Pin defaults HIGH when left open |
| 9 | GND | - | Negative Supply Voltage |
| 10 | Q1-bar | CML Output | Inverted Differential Output. Typically Terminated with 50 Ω Resistor to V _{CC} . |
| 11 | Q1 | CML Output | Noninverted Differential Output. Typically Terminated with 50 Ω Resistor to V _{CC} . |
| 12 | V _{CC} | - | Positive Supply Voltage |
| 13 | V _{CC} | - | Positive Supply Voltage |
| 14 | Q0-bar | CML Output | Inverted Differential Reset Input. Typically Terminated with 50 Ω Resistor to V _{CC} . |
| 15 | Q0 | CML Output | Noninverted Differential Reset Input. Typically Terminated with 50 Ω Resistor to V _{CC} . |
| 16 | GND | - | Negative Supply Voltage |
| - | EP | - | The Exposed Pad (EP) on the QFN-16 package bottom is thermally connected to the die for improved heat transfer out of package. The exposed pad must be attached to a heat-sinking conduit. The pad is not electrically connected to the die, but is recommended to be electrically and thermally connected to GND on the PC board. |

1. In the differential configuration when the input termination pin (VTDn) are connected to a common termination voltage or left open, and if no signal is applied on Dn/Dn-bar input, then the device will be susceptible to self-oscillation.
2. All V_{CC} and GND pins must be externally connected to a power supply for proper operation.

NB6L72M

Table 3. ATTRIBUTES

| Characteristics | | Value |
|--|-----------------------------------|----------------------|
| Interval Input Pulldown Resistor | | 75 kΩ |
| ESD Protection | Human Body Model Machine Model | > 2 kV > 200V |
| Moisture Sensitivity | 16-QFN | Level 1 |
| Flammability Rating | Oxygen Index: 28 to 34 | UL 94 V-0 @ 0.125 in |
| Transistor Count | | |
| Meets or exceeds JEDEC Spec EIA/JESD78 IC Latchup Test | | |

For additional information, see Application Note AND8003/D.

Table 4. MAXIMUM RATINGS

| Symbol | Parameter | Condition 1 | Condition 2 | Rating | Unit |
|-------------------|--|--------------------|--|-----------------------|--------------|
| V _{CC} | Positive Power Supply | GND = 0 V | | 4.0 | V |
| V _{IO} | Positive Input/Output Voltage | GND = 0 V | -0.5 ≤ V _{IO} ≤ V _{CC} + 0.5 | 4.5 | V |
| V _{INPP} | Differential Input Voltage D - D̄ | | | V _{CC} - GND | V |
| I _{IN} | Input Current Through R _T (50 Ω Resistor) | Static Surge | | 45 80 | mA mA |
| T _A | Operating Temperature Range | QFN-16 | | -40 to +85 | °C |
| T _{stg} | Storage Temperature Range | | | -65 to +150 | °C |
| θ _{JA} | Thermal Resistance (Junction-to-Ambient) (Note 3) | 0 lfpm 500 lfpm | QFN-16 QFN-16 | 42 35 | °C/W °C/W |
| θ _{JC} | Thermal Resistance (Junction-to-Case) | (Note 3) | QFN-16 | 4 | °C/W |
| T _{sol} | Wave Solder Pb-Free | | | 265 | °C |

Stresses exceeding Maximum Ratings may damage the device. Maximum Ratings are stress ratings only. Functional operation above the Recommended Operating Conditions is not implied. Extended exposure to stresses above the Recommended Operating Conditions may affect device reliability.

3. JEDEC standard multilayer board - 2S2P (2 signal, 2 power) with 8 filled thermal vias under exposed pad.

NB6L72M

Table 5. DC CHARACTERISTICS, Multi-Level Inputs $V_{CC} = 2.375\text{ V to }3.63\text{ V}$, $GND = 0\text{ V}$, $T_A = -40^\circ\text{C to }+85^\circ\text{C}$

| Symbol | Characteristic | Min | Typ | Max | Unit |
|---|--|--------------------------------|--------------------------------|--------------------------------|---------------|
| POWER SUPPLY CURRENT | | | | | |
| I_{CC} | Power Supply Current (Inputs and Outputs Open) | 60 | 80 | 105 | mA |
| CML OUTPUTS (Notes 5 and 6) | | | | | |
| V_{OH} | Output HIGH Voltage $V_{CC} = 3.3\text{ V}$ $V_{CC} = 2.5\text{ V}$ | $V_{CC} - 40$ 3260 2460 | $V_{CC} - 10$ 3290 2490 | V_{CC} 3300 2500 | mV |
| V_{OL} | Output LOW Voltage $V_{CC} = 3.3\text{ V}$ $V_{CC} = 2.5\text{ V}$ | $V_{CC} - 500$ 2800 2000 | $V_{CC} - 400$ 2900 2100 | $V_{CC} - 300$ 3000 2200 | mV |
| DIFFERENTIAL INPUT DRIVEN SINGLE-ENDED (see Figures 6 and 8) | | | | | |
| V_{th} | Input Threshold Reference Voltage Range (Note 7) | 1050 | | $V_{CC} - 150$ | mV |
| V_{IH} | Single-Ended Input HIGH Voltage | $V_{th} + 150$ | | V_{CC} | mV |
| V_{IL} | Single-Ended Input LOW Voltage | GND | | $V_{th} - 150$ | mV |
| V_{ISE} | Single-Ended Input Voltage Amplitude ($V_{IH} - V_{IL}$) | 300 | | $V_{CC} - V_{EE}$ | mV |
| DIFFERENTIAL INPUTS DRIVEN DIFFERENTIALLY (see Figures 7 and 9) (Note 8) | | | | | |
| V_{IHD} | Differential Input HIGH Voltage | 1200 | | V_{CC} | mV |
| V_{ILD} | Differential Input LOW Voltage | GND | | $V_{CC} - 150$ | mV |
| V_{ID} | Differential Input Voltage Swing ($D_n, \overline{D_n}$) ($V_{IHD} - V_{ILD}$) (Note 15) | 150 | | $V_{CC} - V_{EE}$ | mV |
| V_{CMR} | Input Common Mode Range (Differential Configuration) (Note 9) | 950 | | $V_{CC} - 75$ | mV |
| I_{IH} | Input HIGH Current $D_n/\overline{D_n}$, ($V_{TDn}/\overline{V_{TDn}}$ Open) | -150 | | +150 | μA |
| I_{IL} | Input LOW Current $D_n/\overline{D_n}$, ($V_{TDn}/\overline{V_{TDn}}$ Open) | -150 | | +150 | μA |
| SINGLE-ENDED LVCMOS/LVTTL CONTROL INPUTS | | | | | |
| V_{IH} | Single-Ended Input HIGH Voltage | 2000 | | V_{CC} | mV |
| V_{IL} | Single-Ended Input LOW Voltage | GND | | 800 | mV |
| I_{IH} | Input HIGH Current | -150 | | +150 | μA |
| I_{IL} | Input LOW Current | -150 | | +150 | μA |
| TERMINATION RESISTORS | | | | | |
| R_{TIN} | Internal Input Termination Resistor | 40 | 50 | 60 | Ω |
| R_{TOUT} | Internal Output Termination Resistor | 40 | 50 | 60 | Ω |

NOTE: Device will meet the specifications after thermal equilibrium has been established when mounted in a test socket or printed circuit board with maintained transverse airflow greater than 500 lfm. Electrical parameters are guaranteed only over the declared operating temperature range. Functional operation of the device exceeding these conditions is not implied. Device specification limit values are applied individually under normal operating conditions and not valid simultaneously.

- CML outputs loaded with $50\ \Omega$ to V_{CC} for proper operation.
- Input and output parameters vary 1:1 with V_{CC} .
- V_{th} , V_{IH} , V_{IL} , and V_{ISE} parameters must be complied with simultaneously.
- V_{th} is applied to the complementary input when operating in single-ended mode.
- V_{IHD} , V_{ILD} , V_{ID} and V_{CMR} parameters must be complied with simultaneously.
- V_{CMR} minimum varies 1:1 with GND, V_{CMR} max varies 1:1 with V_{CC} . The V_{CMR} range is referenced to the most positive side of the differential input signal.

NB6L72M

Table 6. AC CHARACTERISTICS $V_{CC} = 2.375\text{ V to }3.63\text{ V}$, $GND = 0\text{ V}$, or $V_{CC} = 0\text{ V}$, $GND = -2.375\text{ V to }-3.63\text{ V}$,
 $T_A = -40^\circ\text{C to }+85^\circ\text{C}$; (Note 10)

| Symbol | Characteristic | Min | Typ | Max | Unit | |
|--------------------------|--|--|-----|-------------------|-----------------|------|
| V_{OUTPP} | Output Voltage Amplitude (@ $V_{INPPmin}$) (Note 15) (See Figure 15) | $f_{in} \leq 3\text{ GHz}$ | 250 | 380 | | mV |
| f_{DATA} | Maximum Operating Data Rate | | 3 | | | Gb/s |
| t_{PLH} , t_{PHL} | Propagation Delay (@0.5GHz) | Dn to Qn SELn to Qn | 230 | 360 | 480 | ps |
| t_{SKEW} | Duty Cycle Skew (Note 11) Within Device Skew Device to Device Skew (Note 12) | | | 6.0 | 20 25 85 | ps |
| t_{DC} | Output Clock Duty Cycle (Reference Duty Cycle = 50%) | $f_{in} \leq 3.0\text{ GHz}$ | 40 | 50 | 60 | % |
| t_{JITTER} | RMS Random Clock Jitter (Note 13) Peak-to-Peak Data Dependent Jitter (Note 14) | $f_{in} \leq 3.0\text{ GHz}$ $f_{DATA} = 2.5\text{ Gb/s}$ $f_{DATA} = 3.0\text{ Gb/s}$ | | 0.2 5.0 8.0 | 0.5 15 25 | ps |
| V_{INPP} | Input Voltage Swing/Sensitivity (Differential Configuration) (Note 15) | | 150 | | 2800 | mV |
| t_r , t_f | Output Rise/Fall Times @ 0.5 GHz, (20% - 80%), | Q, \bar{Q} | | 65 | 120 | ps |

NOTE: Device will meet the specifications after thermal equilibrium has been established when mounted in a test socket or printed circuit board with maintained transverse airflow greater than 500 lfm. Electrical parameters are guaranteed only over the declared operating temperature range. Functional operation of the device exceeding these conditions is not implied. Device specification limit values are applied individually under normal operating conditions and not valid simultaneously.

10. Measured by forcing V_{INPP} (minimum) from a 50% duty cycle clock source. All loading with an external $R_L = 50\ \Omega$ to V_{CC} . Input edge rates 40 ps (20% - 80%).

11. Duty cycle skew is measured between differential outputs using the deviations of the sum of T_{pw-} and T_{pw+} @ 0.5GHz.

12. Device to device skew is measured between outputs under identical transition @ 0.5 GHz.

13. Additive RMS jitter with 50% duty cycle clock signal.

14. Additive peak-to-peak data dependent jitter with input NRZ data at PRBS23.

15. Input and output voltage swing is a single-ended measurement operating in differential mode.

NB6L72M

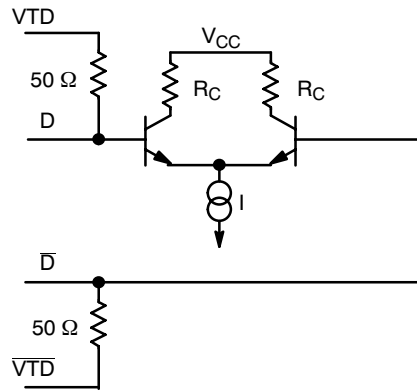


Figure 3. Input Structure

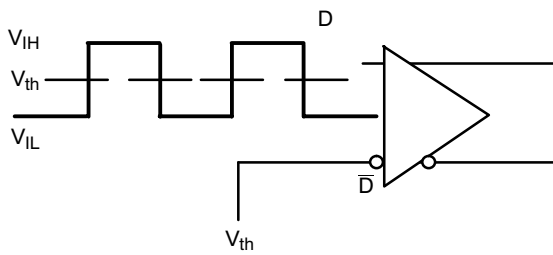


Figure 4. Differential Input Driven Single-Ended

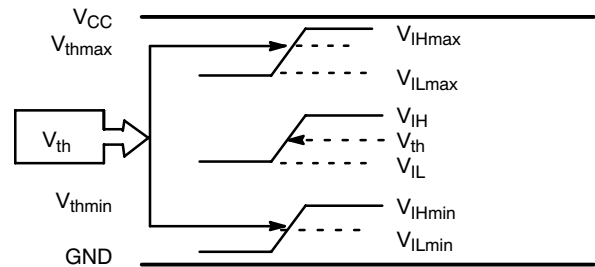


Figure 5. V_{th} Diagram

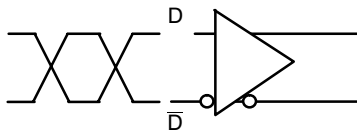


Figure 6. Differential Inputs Driven Differentially

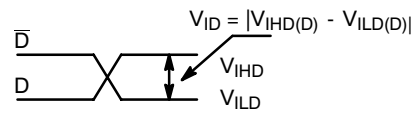


Figure 7. Differential Inputs Driven Differentially

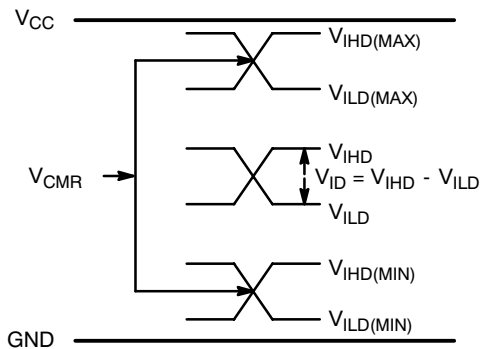


Figure 8. V_{CMR} Diagram

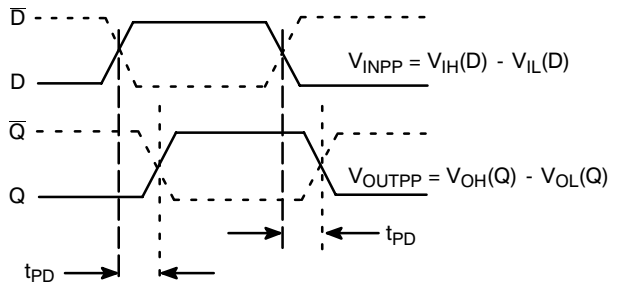


Figure 9. AC Reference Measurement

NB6L72M

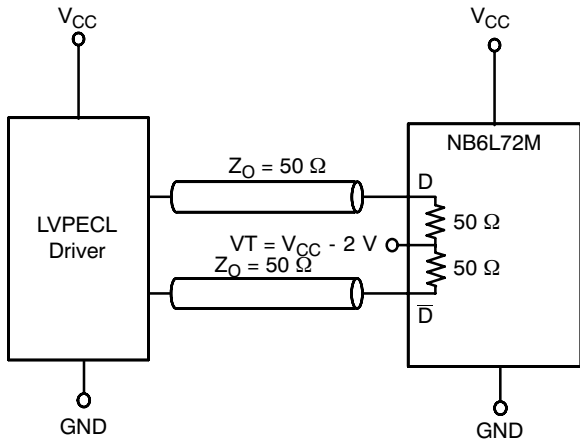


Figure 10. LVPECL Interface

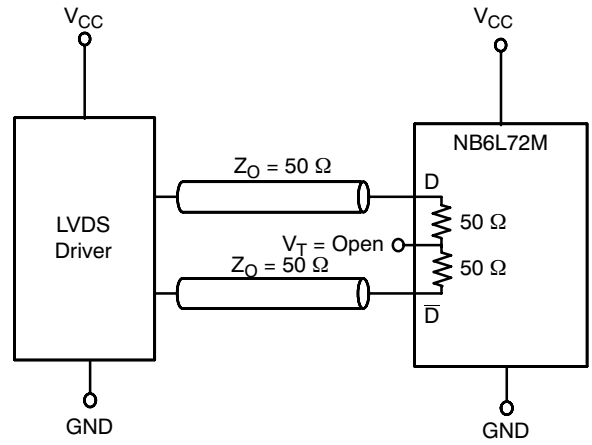


Figure 11. LVDS Interface

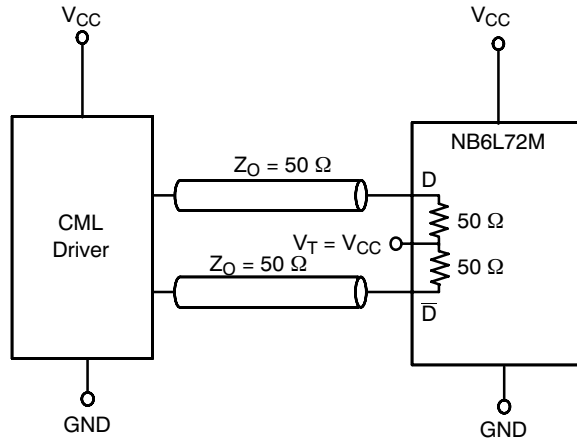


Figure 12. Standard 50 Ω Load CML Interface

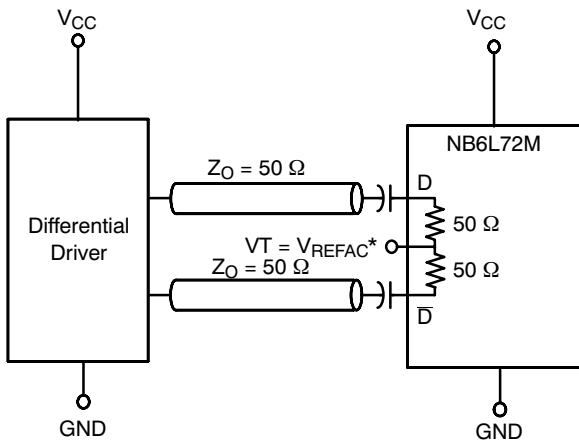


Figure 13. Capacitor-Coupled Differential Interface (VT Connected to V_{REFAC})

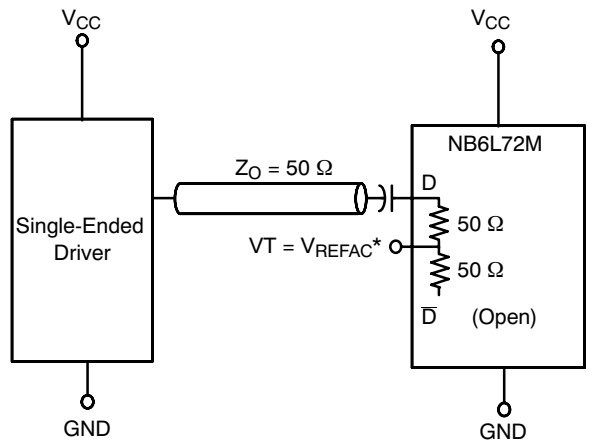


Figure 14. Capacitor-Coupled Single-Ended Interface (VT Connected to V_{REFAC})

*V_{REFAC} bypassed to ground with a 0.01 μF capacitor

NB6L72M

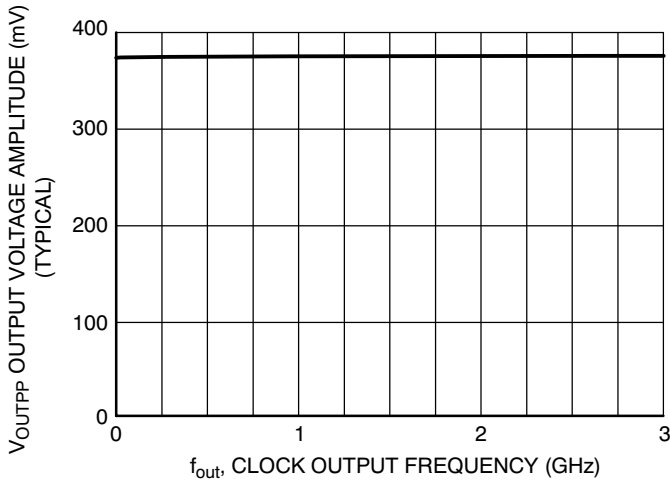


Figure 15. Output Voltage Amplitude (V_{OUTPP}) versus Output Frequency at Ambient Temperature (Typical)

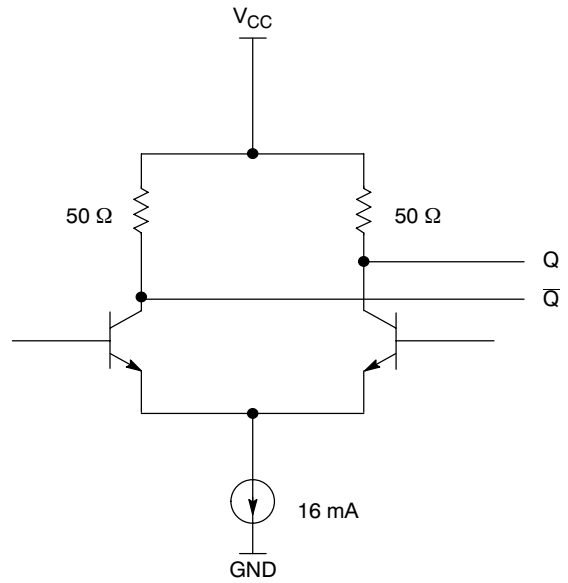


Figure 16. CML Output Structure

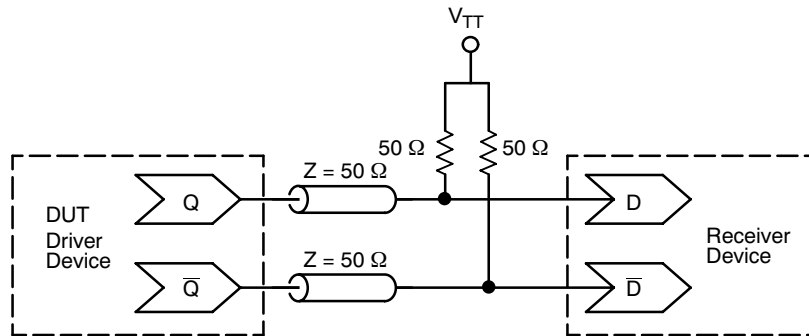


Figure 17. Typical CML Termination for Output Driver and Device Evaluation

ORDERING INFORMATION

| Device | Package | Shipping [†] |
|--------------|---------------------|-----------------------|
| NB6L72MMNG | QFN-16 (Pb-free) | 123 Units / Rail |
| NB6L72MMNR2G | QFN-16 (Pb-free) | 3000 / Tape & Reel |

[†]For information on tape and reel specifications, including part orientation and tape sizes, please refer to our Tape and Reel Packaging Specifications Brochure, BRD8011/D.

MECHANICAL CASE OUTLINE PACKAGE DIMENSIONS



SCALE 2:1

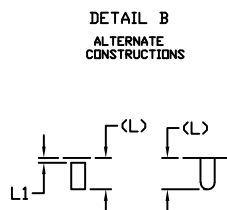
QFN16 3x3, 0.5P
CASE 485G
ISSUE G

DATE 08 OCT 2021



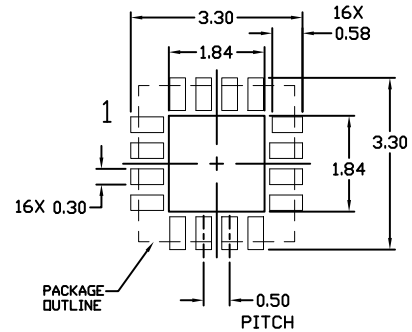
NOTES:

1. DIMENSIONING AND TOLERANCING PER ASME Y14.5M, 1994.
2. CONTROLLING DIMENSION: MILLIMETERS
3. DIMENSION b APPLIES TO PLATED TERMINAL AND IS MEASURED BETWEEN 0.15 AND 0.30 MM FROM THE TERMINAL TIP.
4. COPLANARITY APPLIES TO THE EXPOSED PAD AS WELL AS THE TERMINALS.

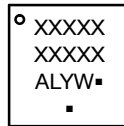


| DIM | MILLIMETERS | | |
|-----|-------------|------|------|
| | MIN. | NDM. | MAX. |
| A | 0.80 | 0.90 | 1.00 |
| A1 | 0.00 | 0.03 | 0.05 |
| A3 | 0.20 REF | | |
| b | 0.18 | 0.24 | 0.30 |
| D | 3.00 BSC | | |
| D2 | 1.65 | 1.75 | 1.85 |
| E | 3.00 BSC | | |
| E2 | 1.65 | 1.75 | 1.85 |
| e | 0.50 BSC | | |
| k | 0.18 TYP | | |
| L | 0.30 | 0.40 | 0.50 |
| L1 | 0.00 | 0.08 | 0.15 |

MOUNTING FOOTPRINT



GENERIC MARKING DIAGRAM*



- XXXXX = Specific Device Code
- A = Assembly Location
- L = Wafer Lot
- Y = Year
- W = Work Week
- = Pb-Free Package

(Note: Microdot may be in either location)

*This information is generic. Please refer to device data sheet for actual part marking. Pb-Free indicator, "G" or microdot "▪", may or may not be present. Some products may not follow the Generic Marking.

| | | |
|-------------------------|------------------------|--|
| DOCUMENT NUMBER: | 98AON04795D | Electronic versions are uncontrolled except when accessed directly from the Document Repository. Printed versions are uncontrolled except when stamped "CONTROLLED COPY" in red. |
| DESCRIPTION: | QFN16 3X3, 0.5P | PAGE 1 OF 1 |

onsemi and onsemi are trademarks of Semiconductor Components Industries, LLC dba onsemi or its subsidiaries in the United States and/or other countries. onsemi reserves the right to make changes without further notice to any products herein. onsemi makes no warranty, representation or guarantee regarding the suitability of its products for any particular purpose, nor does onsemi assume any liability arising out of the application or use of any product or circuit, and specifically disclaims any and all liability, including without limitation special, consequential or incidental damages. onsemi does not convey any license under its patent rights nor the rights of others.

onsemi, **Onsemi**, and other names, marks, and brands are registered and/or common law trademarks of Semiconductor Components Industries, LLC dba "**onsemi**" or its affiliates and/or subsidiaries in the United States and/or other countries. **onsemi** owns the rights to a number of patents, trademarks, copyrights, trade secrets, and other intellectual property. A listing of **onsemi**'s product/patent coverage may be accessed at www.onsemi.com/site/pdf/Patent-Marking.pdf. **onsemi** reserves the right to make changes at any time to any products or information herein, without notice. The information herein is provided "as-is" and **onsemi** makes no warranty, representation or guarantee regarding the accuracy of the information, product features, availability, functionality, or suitability of its products for any particular purpose, nor does **onsemi** assume any liability arising out of the application or use of any product or circuit, and specifically disclaims any and all liability, including without limitation special, consequential or incidental damages. Buyer is responsible for its products and applications using **onsemi** products, including compliance with all laws, regulations and safety requirements or standards, regardless of any support or applications information provided by **onsemi**. "Typical" parameters which may be provided in **onsemi** data sheets and/or specifications can and do vary in different applications and actual performance may vary over time. All operating parameters, including "Typicals" must be validated for each customer application by customer's technical experts. **onsemi** does not convey any license under any of its intellectual property rights nor the rights of others. **onsemi** products are not designed, intended, or authorized for use as a critical component in life support systems or any FDA Class 3 medical devices or medical devices with a same or similar classification in a foreign jurisdiction or any devices intended for implantation in the human body. Should Buyer purchase or use **onsemi** products for any such unintended or unauthorized application, Buyer shall indemnify and hold **onsemi** and its officers, employees, subsidiaries, affiliates, and distributors harmless against all claims, costs, damages, and expenses, and reasonable attorney fees arising out of, directly or indirectly, any claim of personal injury or death associated with such unintended or unauthorized use, even if such claim alleges that **onsemi** was negligent regarding the design or manufacture of the part. **onsemi** is an Equal Opportunity/Affirmative Action Employer. This literature is subject to all applicable copyright laws and is not for resale in any manner.

PUBLICATION ORDERING INFORMATION

LITERATURE FULFILLMENT:

Email Requests to: orderlit@onsemi.com

onsemi Website: www.onsemi.com

TECHNICAL SUPPORT

North American Technical Support:

Voice Mail: 1 800-282-9855 Toll Free USA/Canada

Phone: 011 421 33 790 2910

Europe, Middle East and Africa Technical Support:

Phone: 00421 33 790 2910

For additional information, please contact your local Sales Representative