

Apr.1.2023 Copyright 2023 HIROSE ELECTRIC CO., LTD. All Rights Reserved.  
In case of consideration for using Automotive equipment / device which demand high reliability, kindly contact our sales window correspondents.

COUNT	DESCRIPTION OF REVISIONS	BY	CHKD	DATE	COUNT	DESCRIPTION OF REVISIONS	BY	CHKD	DATE
2	DIS-H-002388	T.Y	T.M	07.08.27					

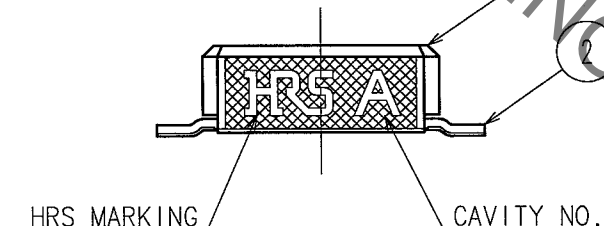
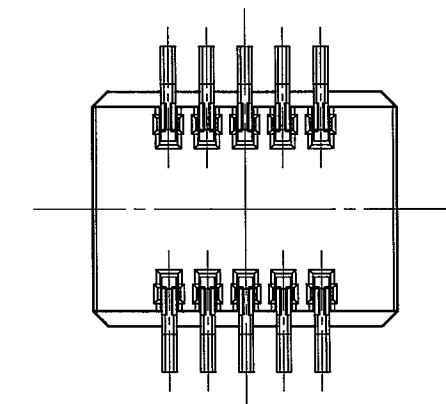
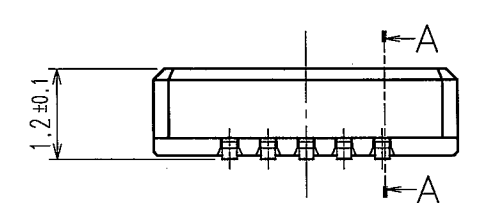
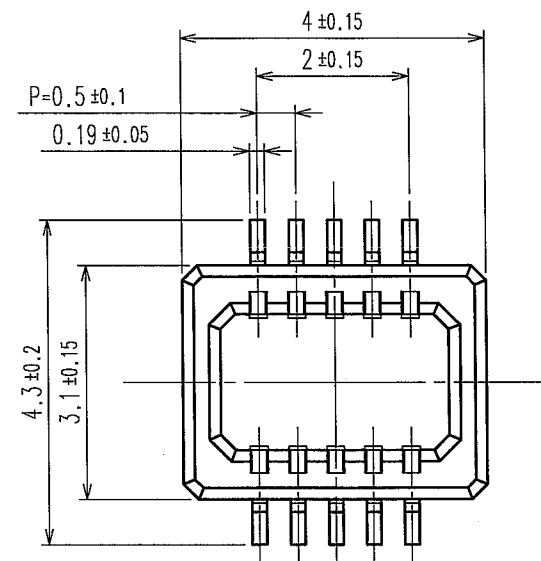


Fig.1 : RECOMMENDED PATTERN

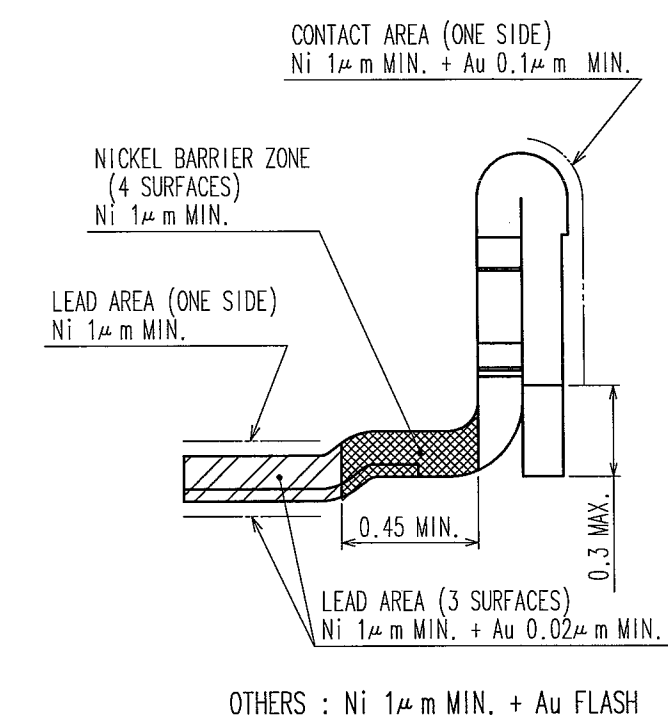
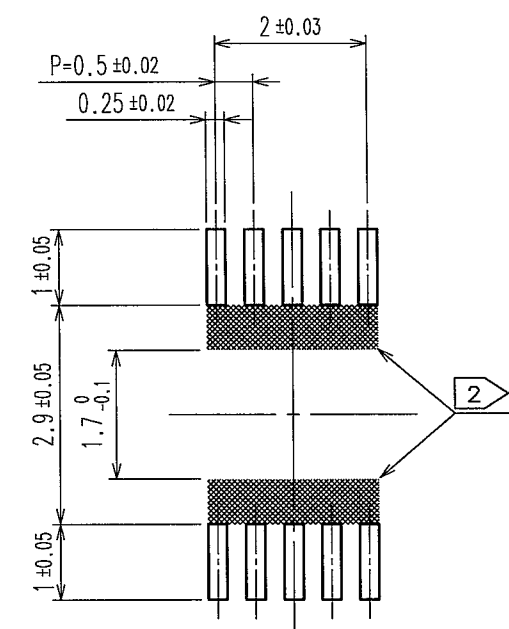
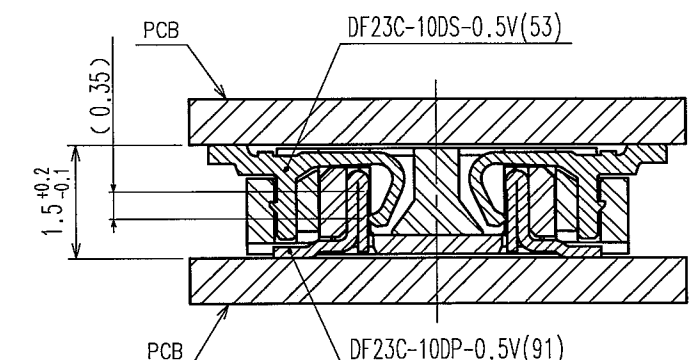


Fig.3 : A-A CROSS SECTION VIEW

Fig.4 : MATING VIEW



NOTES 1 LEAD CO-PLANARITY SHALL BE 0.1mm MAX.  
 2 WHEN A PART MARKED WITH [Hatched Box] HAS A PATTERN BUT NO RESIST ON IT, TAKE CARE TO PREVENT THE CONNECTOR FROM TOUCHING IT.

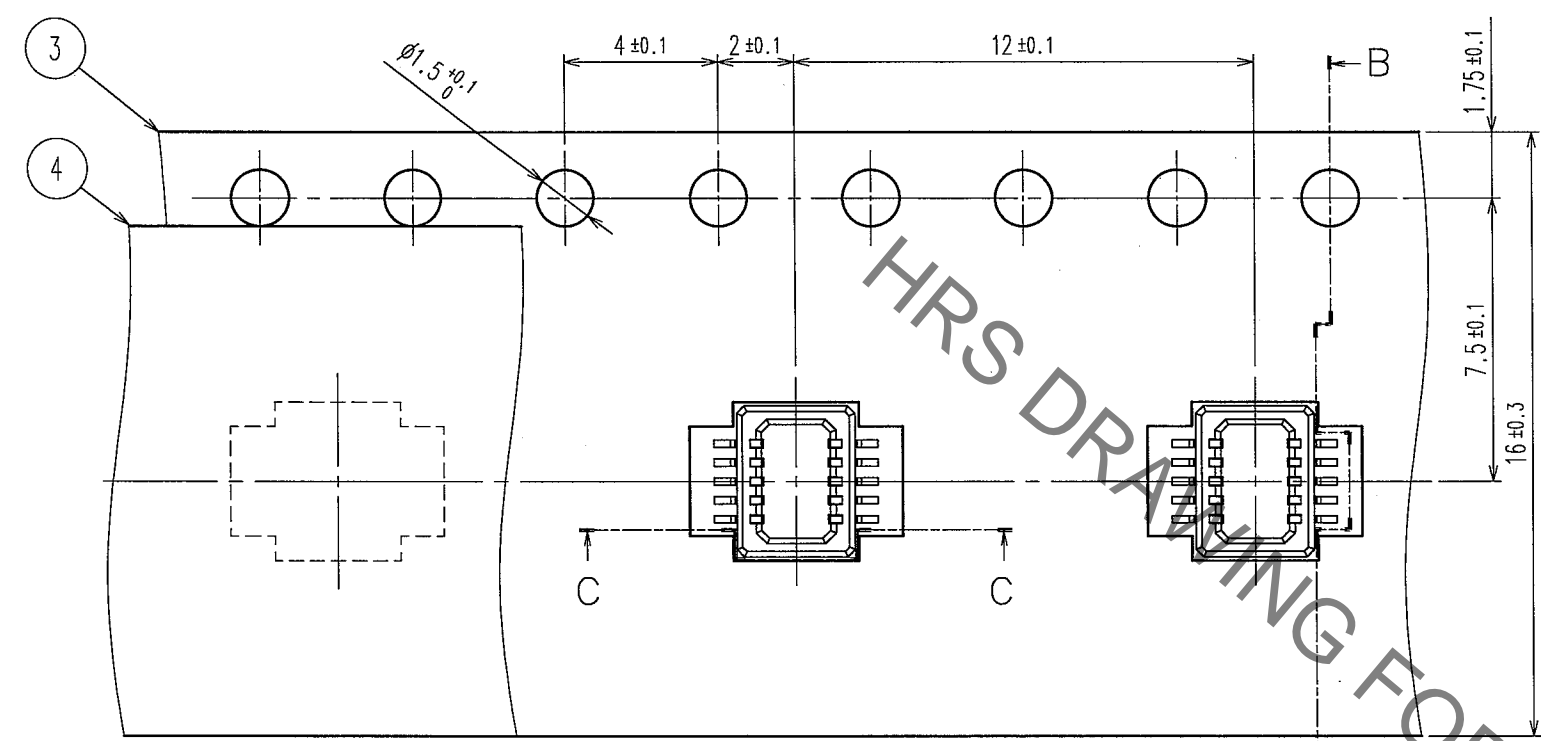
2	PHOSPHOR BRONZE	3	PS	BLACK(PLASTIC REEL)	
1	LCP	4	POLYESTER	CLEAR	
		3	PS	CLEAR	
NO.	MATERIAL	FINISH, REMARKS	NO.	MATERIAL	FINISH, REMARKS

CODE NO. (OLD)	DRAWN	DESIGNED	CHECKED	APPROVED	RELEASED
	T.Yamamoto	T.Yamamoto	K.Akiyama	K.Akiyama	
	'03. 5. 8	'03. 5. 8	'03. 5. 8	'03. 5. 8	

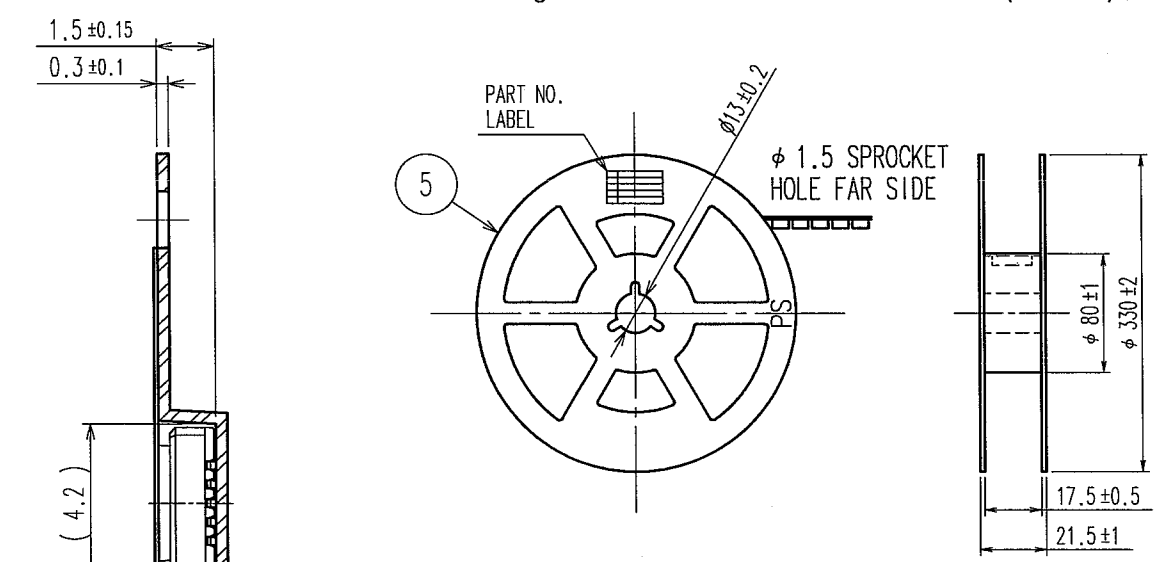
SCALE 10 : 1	DRAWING NO. EDC3-164008-11	PART NO. DF23C-10DP-0.5V(91)
UNITS mm	HRS HIROSE ELECTRIC CO., LTD	CODE NO. CL688-0806-1-91

Apr.1.2023 Copyright 2023 HIROSE ELECTRIC CO., LTD. All Rights Reserved.  
In case of consideration for using Automotive equipment / device which demand high reliability, kindly contact our sales window correspondents.

COUNT	DESCRIPTION OF REVISIONS	BY	CHKD	DATE	COUNT	DESCRIPTION OF REVISIONS	BY	CHKD	DATE



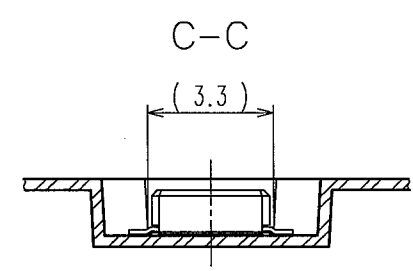
△ Fig.6 : REEL DIMENSIONS (FREE)



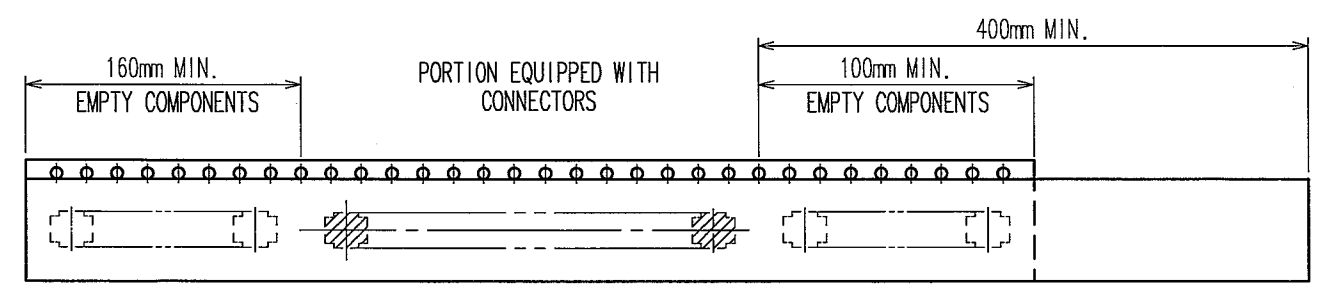
◇ 6 DETAIL OF PART NO. LABEL

DATE OF MANUFACTURED	** * * *
CODE NO.	CL688-0806-1-91
PART NO.	DF23C-10DP-0.5V(91)
QUANTITY	3000
SUPPLIER	HIROSE ELECTRIC CO.,LTD.

DIRECTION OF UNREELING →



- NOTES
- 3 PER REEL 3000 CONNECTORS
  - 4 THE DIMENSIONS IN PARENTHESES ARE FOR REFERENCE
  - ◇ 5 REFER TO JIS C 0806 (PACKAGING OF COMPONENTS FOR AUTOMATIC HANDLING)
  - ◇ 6 DETAIL OF PART NO. LABEL IS WRITTEN IN JAPANESE.



◇ 5 Fig.5 : TAPING

CODE NO. (OLD)	DRAWN	DESIGNED	CHECKED	APPROVED	RELEASED
	T.Yamamoto	T.Yamamoto	K.Akiyama	K.Akiyama	
	'03. 5. 8	'03. 5. 8	'03. 5. 8	'03. 5. 8	
DRAWING NO.	PART NO.				
EDC3-164008-11	DF23C-10DP-0.5V(91)				
SCALE	CODE NO.				
5 : 1	CL688-0806-1-91				
UNITS	HRS HIROSE ELECTRIC CO., LTD				
mm			2/2		

