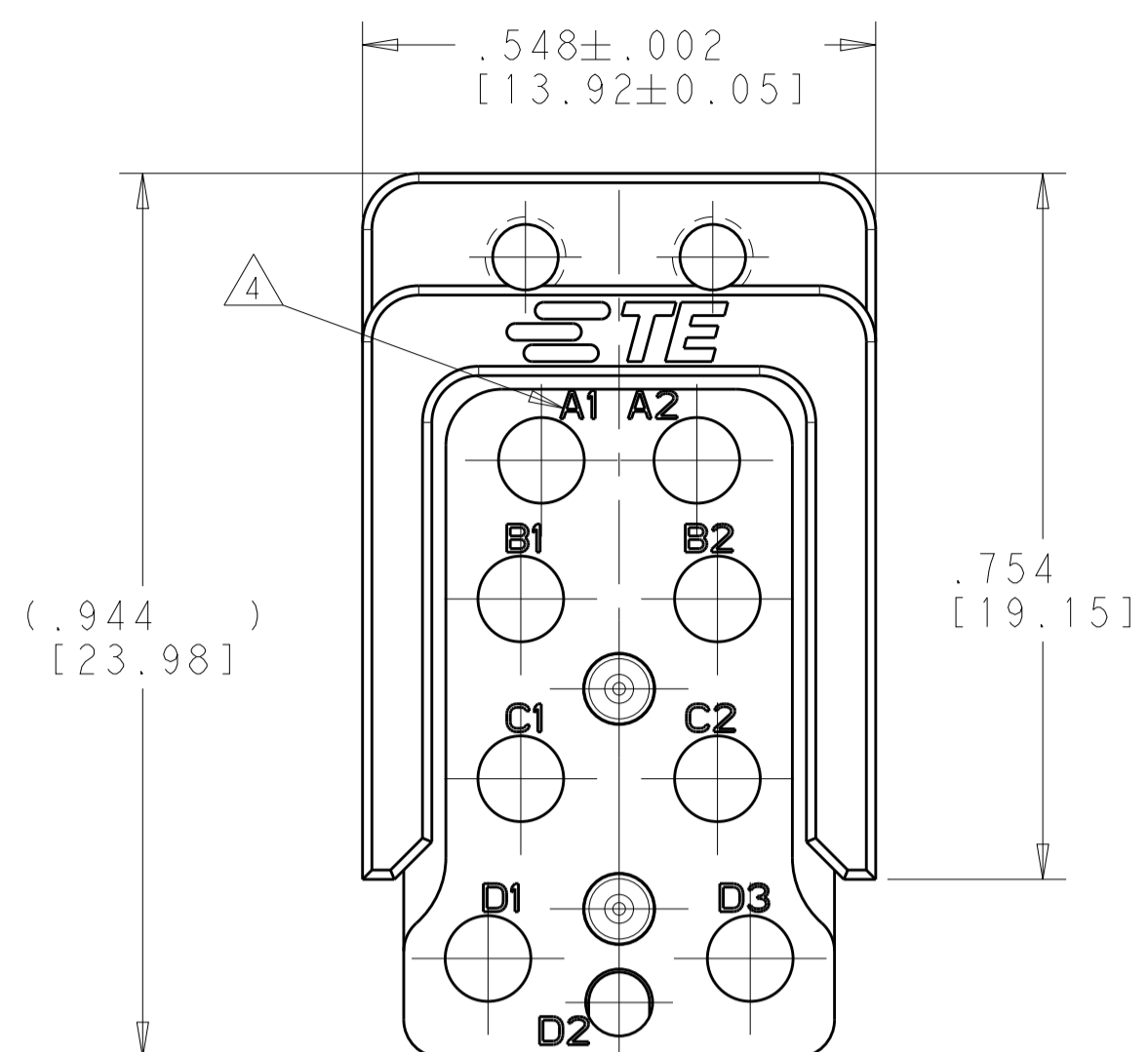
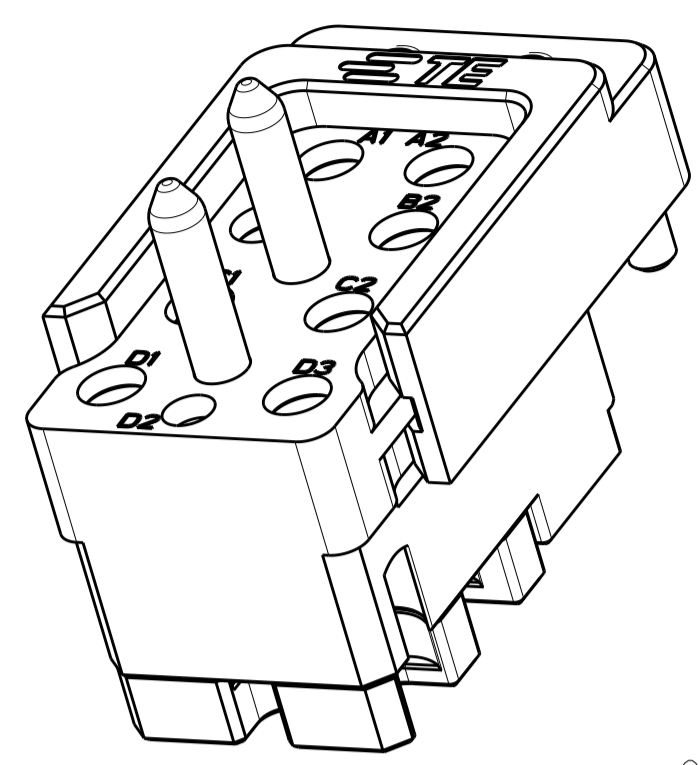


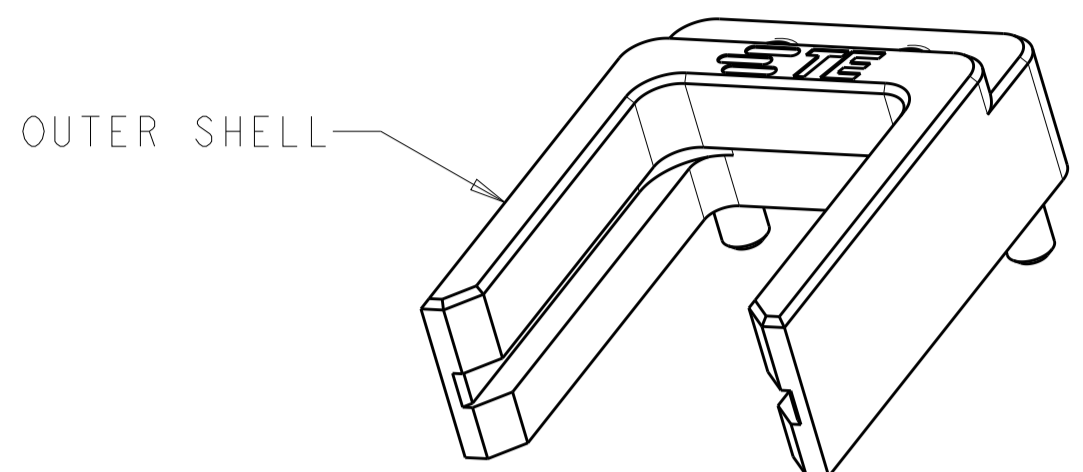
REVISIONS				
P.	LTN.	DESCRIPTION	DATE	APVD.
A		RELEASED PER ECO 20-004476	4-2-20	CT FB



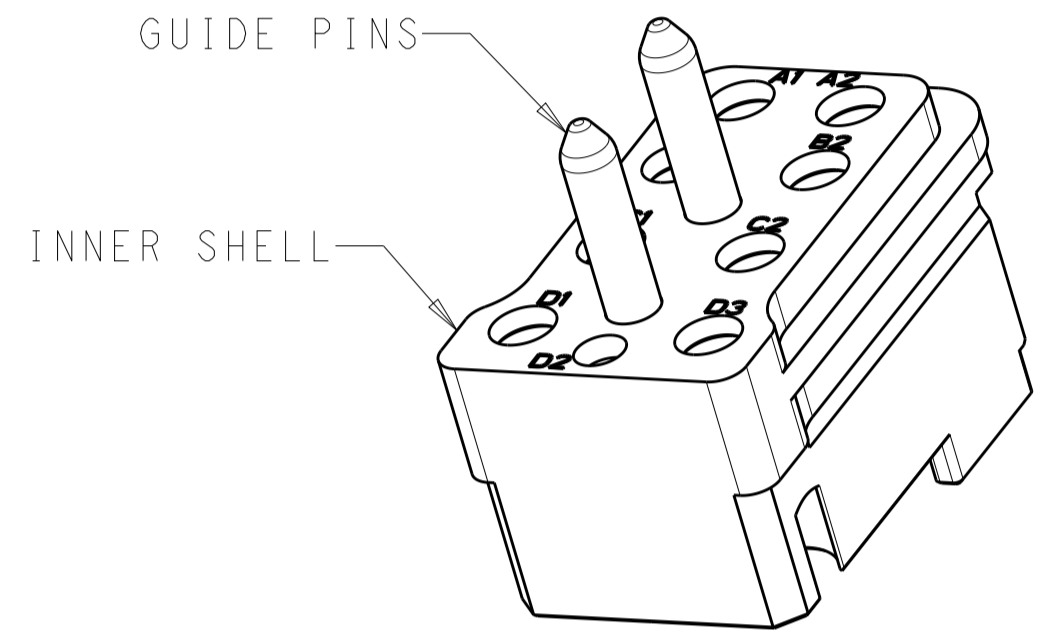
CIRCUIT	CABLE SIZE
A1, A2	.086
B1, B2	.086
C1, C2	.086
D1, D3	.086
D2	.047



SCALE 4:1



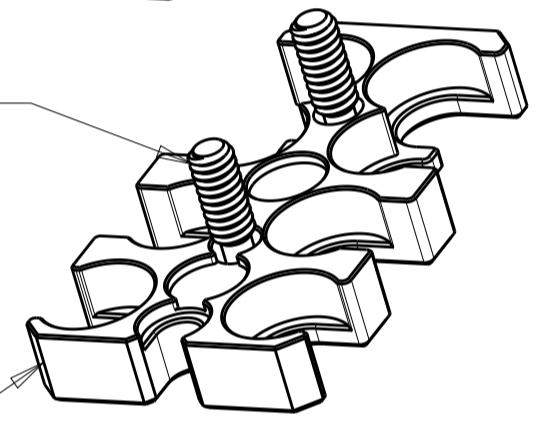
OUTER SHELL



INNER SHELL

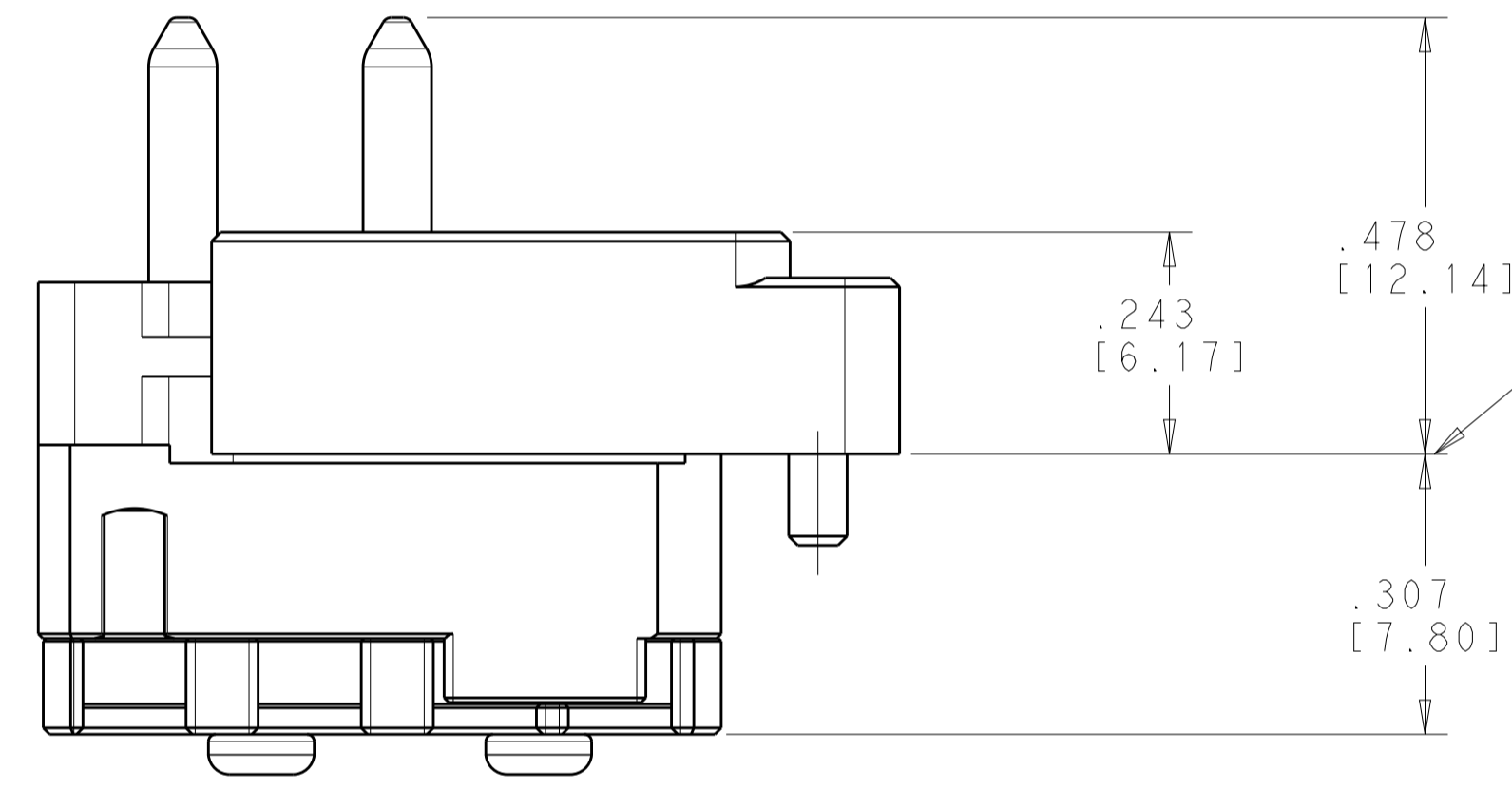
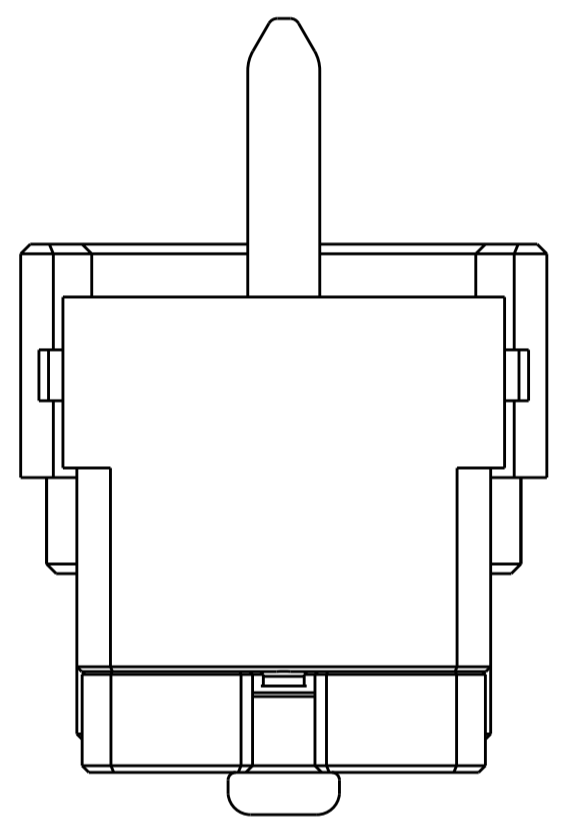
GUIDE PINS

0-80 UNF CAPTIVE SCREWS (TORX DRIVE)

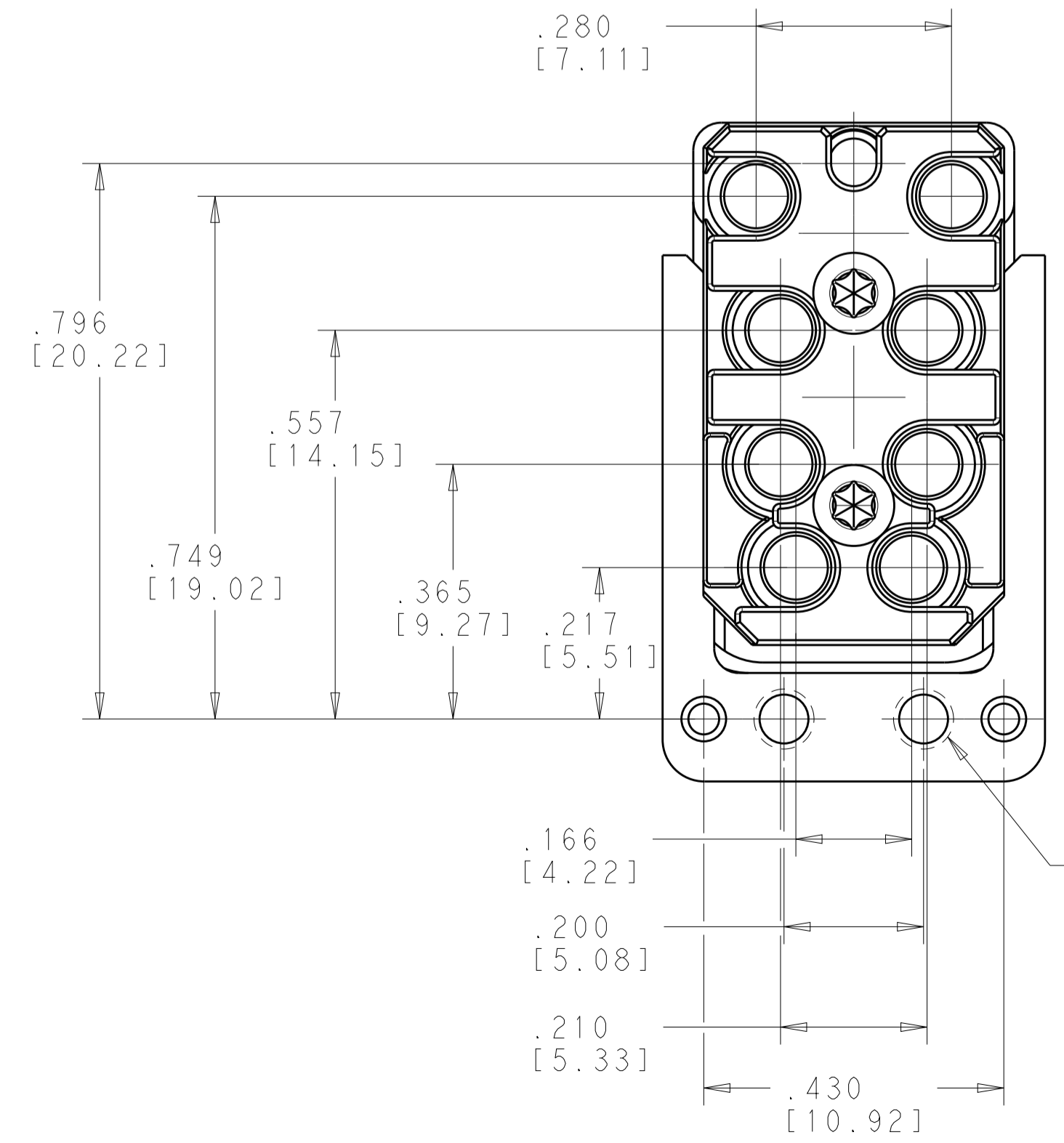


BACKPLATE

SCALE 4:1



BACKPLANE MOUNTING SURFACE



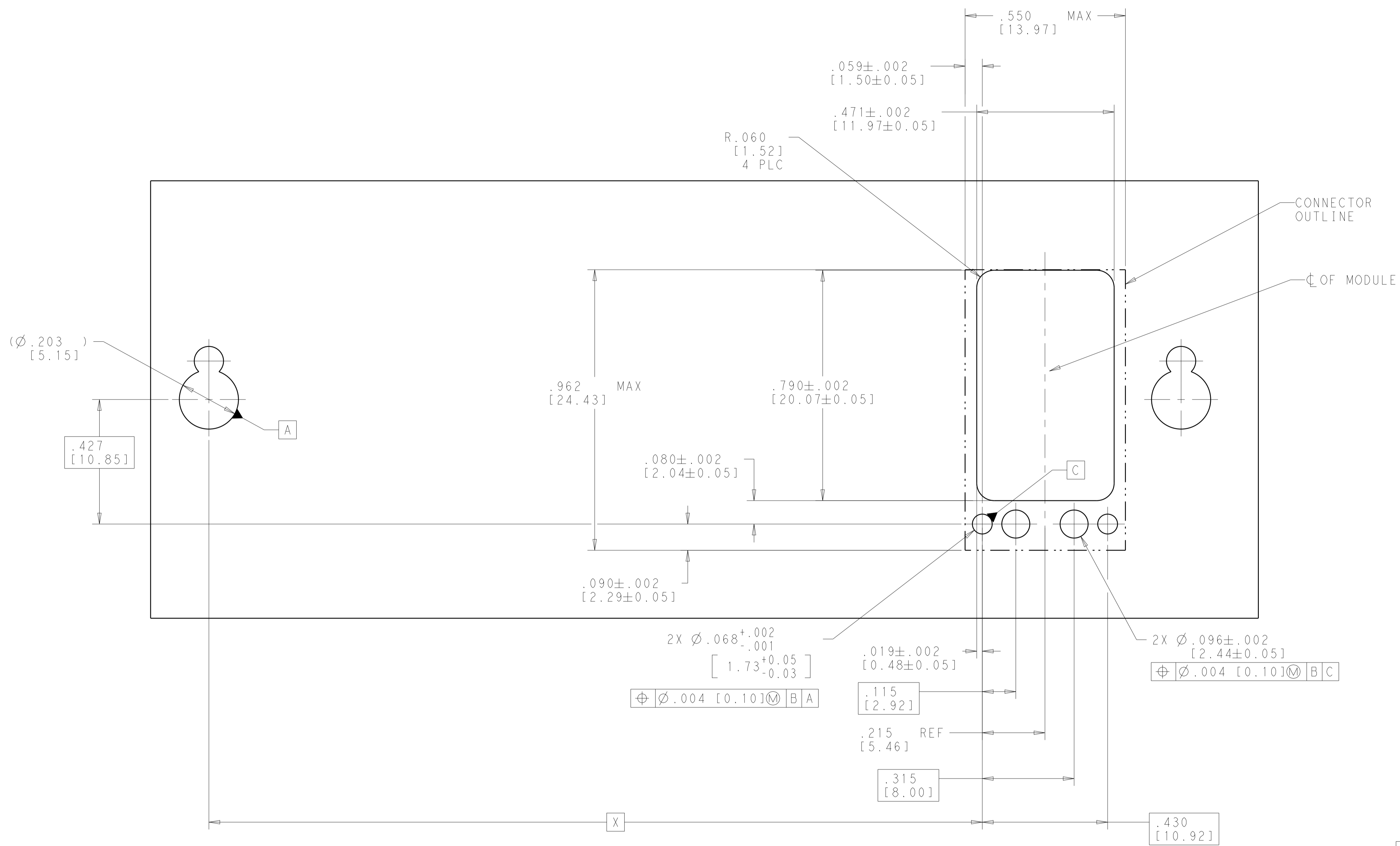
2-56 UNC-2B THREADED THRU HOLE 2 PLACES

- 1 MATERIAL:
INNER AND OUTER SHELL AND BACKPLATE - ALUMINUM ALLOY
GUIDE PIN - 300 SERIES STAINLESS STEEL
SCREWS - 300 SERIES STAINLESS STEEL
- 2 FINISH:
INNER AND OUTER SHELL AND BACKPLATE - CLEAR CHROMATE CONVERSION COATING
SCREWS AND GUIDE PIN - PASSIVATED
- 3. SHIPPED IN KIT FORM. BACKPLATE SCREWS TO BE ASSEMBLED TO BACKPLATE.
- 4 CIRCUIT IDENTIFICATION MARKING
- 5. DESIGNED TO BE USED WITH NanoRF CONTACTS 2302345-1 (.047 CABLE) AND 2332772-1 (.086 CABLE).

2357971-1
PART NUMBER

THIS DRAWING IS A CONTROLLED DOCUMENT.		OWN K. MILLER 08JUL2019	NAME
DIMENSIONS: INCHES/mm		CHK K. DOWHOWER 16AUG2019	TE Connectivity
TOLERANCES UNLESS OTHERWISE SPECIFIED:		APVD	PRODUCT SPEC
0 PLC ±	1 PLC ±	APVD	108-163006
2 PLC ±	3 PLC ±	APVD	APPLICATION SPEC
4 PLC ±	ANGLES ±	APVD	408-163016
MATERIAL	FINISH	WEIGHT	SIZE CAGE CODE DRAWING NO
1	2		A100779C=2357971
CUSTOMER DRAWING		SCALE 5:1	SHEET 1 OF 2 REV A

REVISIONS				
P.	LTN.	DESCRIPTION	DATE	APVD.
-	-	SEE SHEET 1	-	-



REF PCB LAYOUT - SEE VITA 67.3 FIGURE 6.1.5.2-1

J1B	1.541[39.15]
J2A	2.097[53.27]
J2B	2.653[67.39]
J3A	3.785[96.14]
J3B	4.341[110.26]
J4A	4.919[124.94]
J4B	5.475[139.06]
J5A	6.053[153.74]
J5B	6.609[167.86]
J6A	7.187[182.54]
J6B	7.743[196.66]
POSITION	DIM "X"

THIS DRAWING IS A CONTROLLED DOCUMENT.		DWN K. MILLER CHK K. DOWHOWER	08JUL2019 16AUG2019	TE Connectivity
DIMENSIONS: INCHES/mm	TOLERANCES UNLESS OTHERWISE SPECIFIED:	APVD	NAME	
	0 PLC ±	PRODUCT SPEC	NanoRF MODULE, BACKPLANE	
	1 PLC ±	APPLICATION SPEC	8 POSITION .086 CABLE PLUS	
MATERIAL	2 PLC ±	SIZE	1 POSITION .047 CABLE, VITA 67.3	
	3 PLC ±	WEIGHT	A100779C=2357971	
	4 PLC ±	CUSTOMER DRAWING	SCALE 5:1 SHEET 2 OF 2 REV A	
	ANGLES			
	FINISH			