

6

5

4

3

2

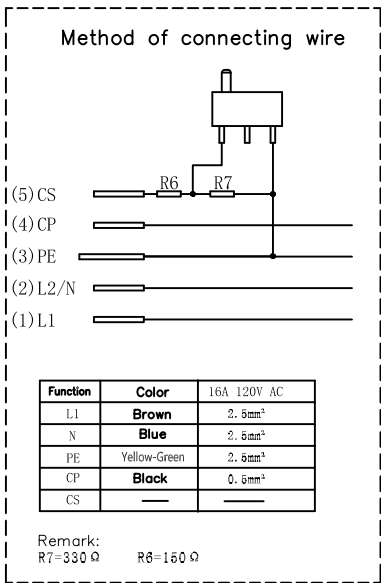
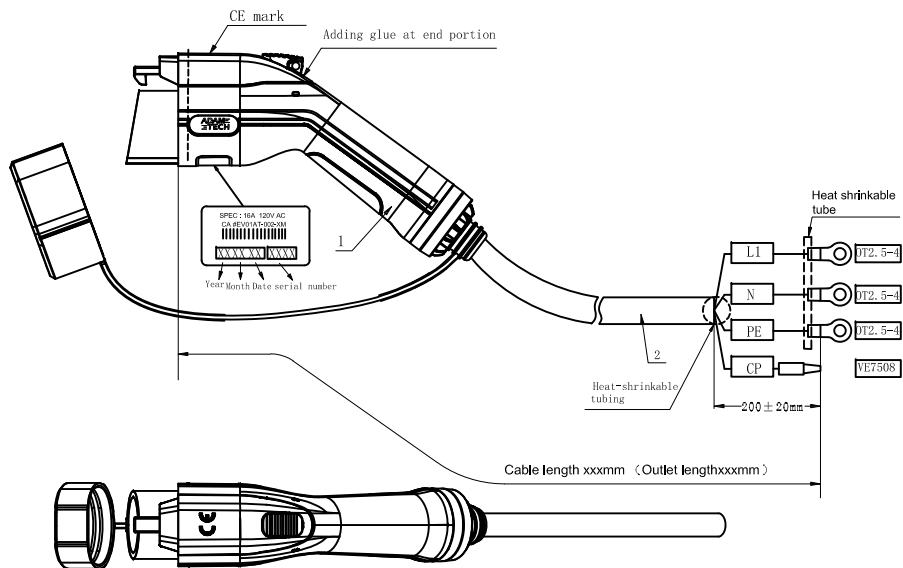
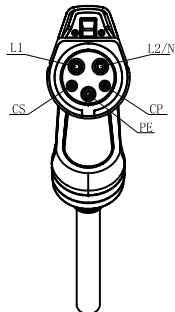
1

APPROVED: _____

DATE: _____ TITLE: _____

Rev	AWO #	Description	Date	Appr
-		RELEASED	6/4/20	
A		UPDATED TITLE	1/7/22	JJ/RC

Pin Layout Chart



SPECIFICATIONS:

Material:
 Insulator: PC, Thermoplastic, rated UL 94V-0
 Insulator color: Black
 Contacts: Copper Alloy, Silver plated surface
 Electrical:
 Current rating: 16A
 Voltage rating: 120 VAC
 Contact Impedance: 0.5 mohms max
 Insulation resistance: 1,000 Mohms min, DC 500V
 Dielectric withstanding voltage: 2,000V
 Mechanical:
 Mechanical life: unloaded plugged: >10,000
 Insertion and Extraction Force: <80N
 Temperature Rating:
 Operating temperature: -30°C to +50°C
 Environmental:
 Waterproof grade: IP54
 Lead free, RoHS compliant



ADAM TECH P/N	LENGTH
CA #EVO1AT-002-3M	3,000mm ±30mm
CA #EVO1AT-002-5M	5,000mm ±30mm

Charging plug: according to SAE J1772-2017 standard
 Charging cable: 3x2.5mm²+1x0.5mm² (outer leather material TPE)

UNLESS OTHERWISE SPECIFIED ALL DIMENSIONS ARE MILLIMETERS TOLERANCES: EXCEPT AS NOTED			909 Rahway Avenue, Union, NJ 07083 Phone: 908-687-5000 Fax: 908-687-5710	
DRAWN	OW	6/4/20	TITLE CABLE ASSEMBLY EV CHARGER TYPE 1 FEMALE PLUG 16A 120V 1PHASE 2.5MM ² TUV	
CHECKED	AC	6/4/20	SIZE X	
APPROVED			PART NO. CA #EVO1AT-002-XM	
THIS DRAWING CONTAINS INFORMATION THAT IS PROPRIETARY AND SHOULD NOT BE USED WITHOUT PRIOR WRITTEN PERMISSION FROM ADAM TECH			REV. A	
REF: -		SCALE: NTS	SHEET 1 OF 1	

6

5

4

3

2

1