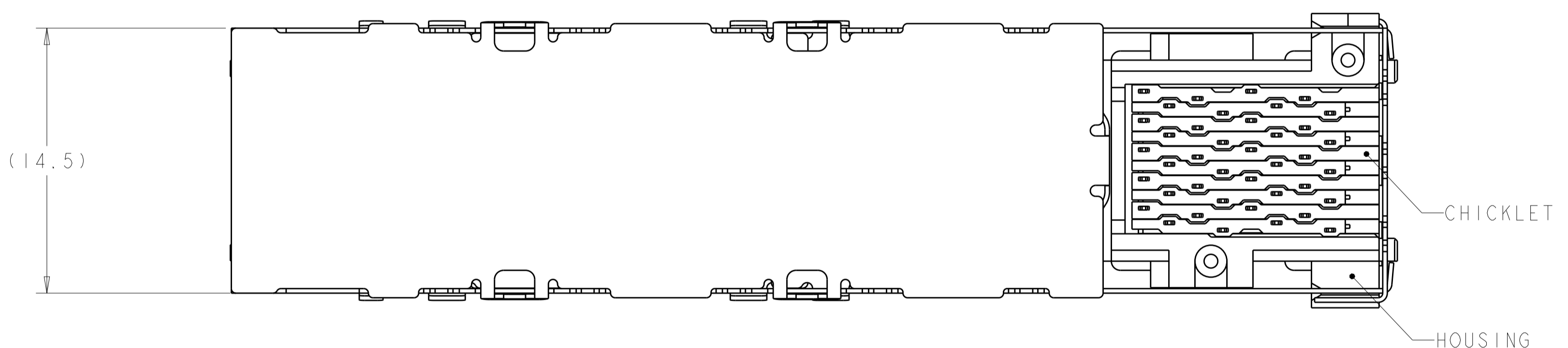
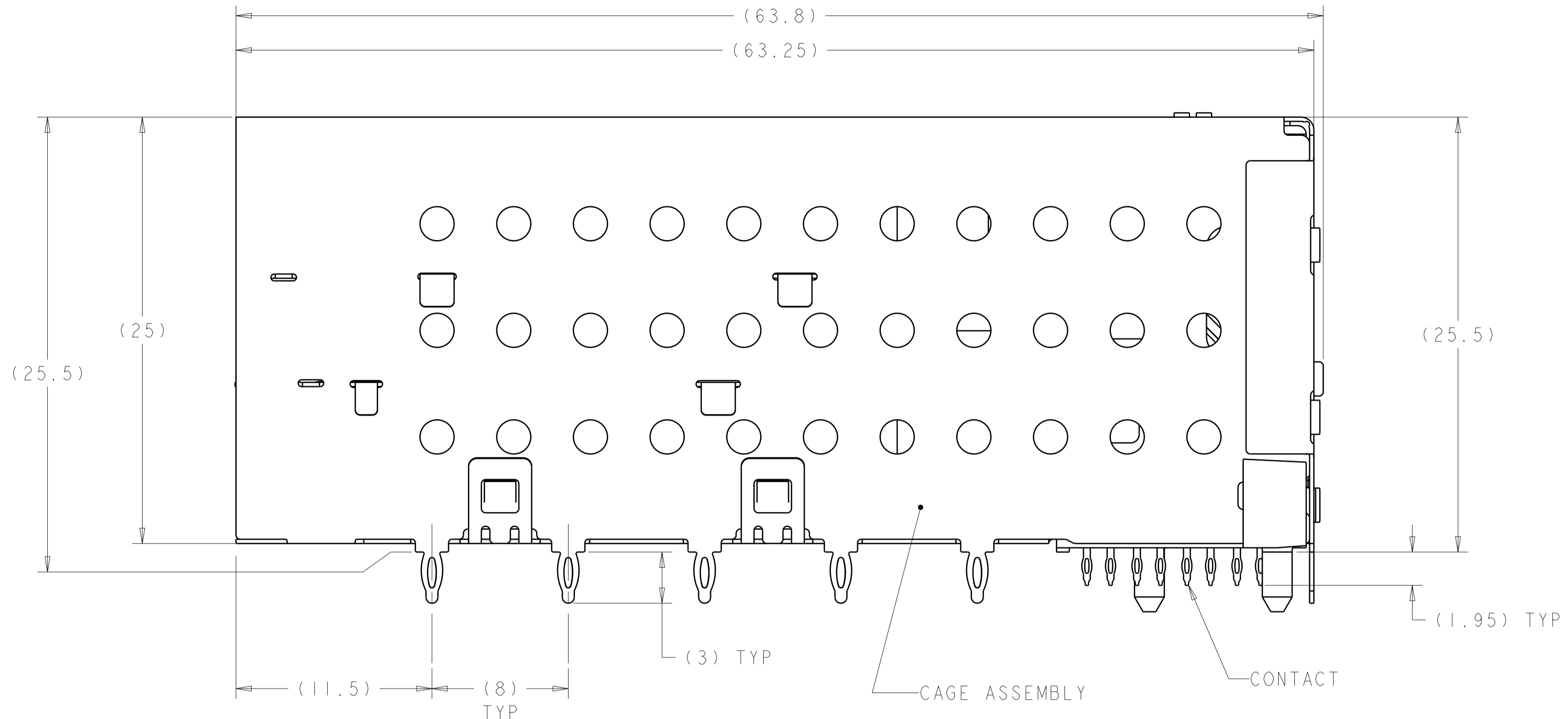
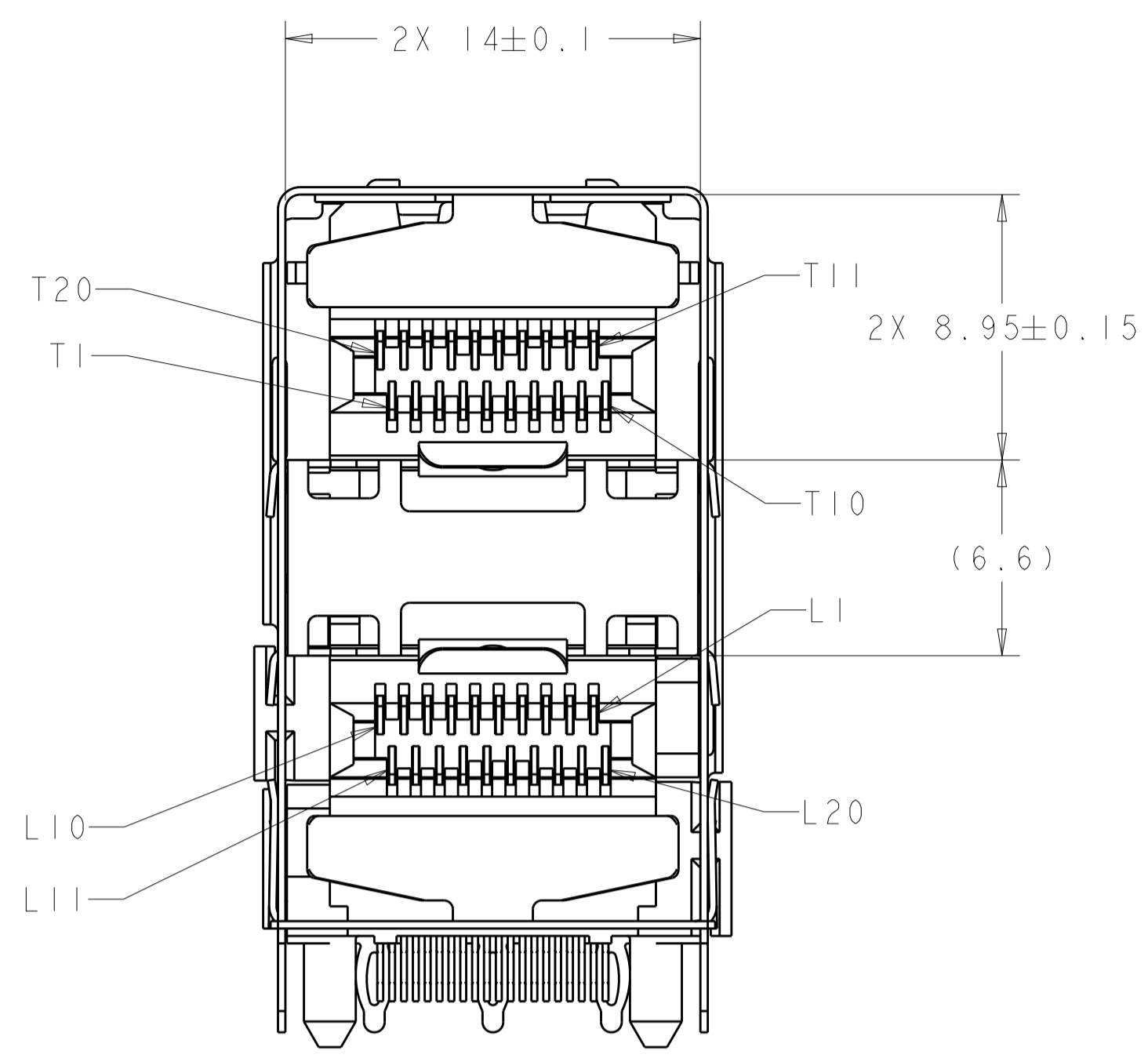
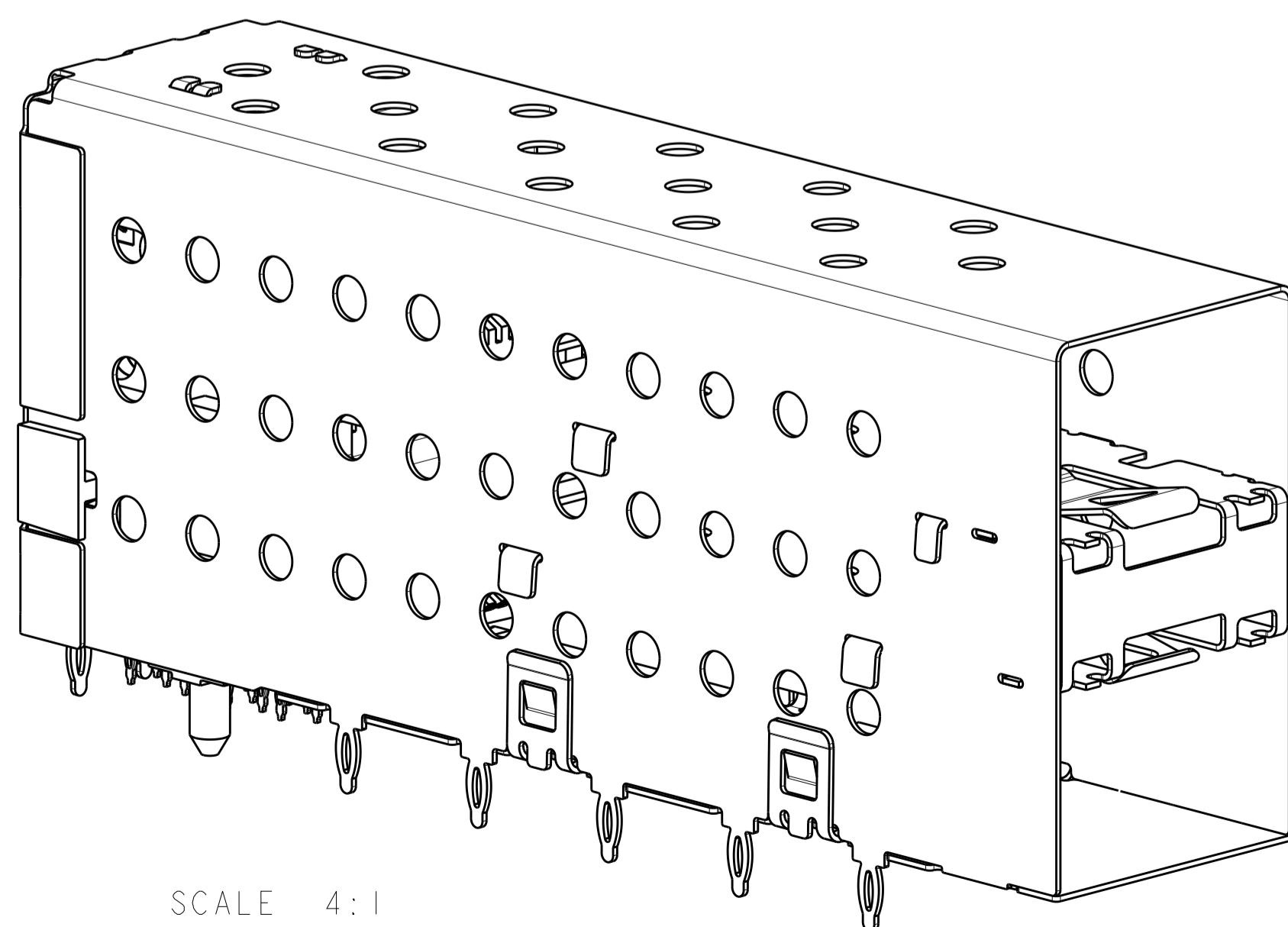


REVISIONS				
P	LTN	DESCRIPTION	DATE	APVD
A		FROMAL RELEASED	14JAN2020	IT SH



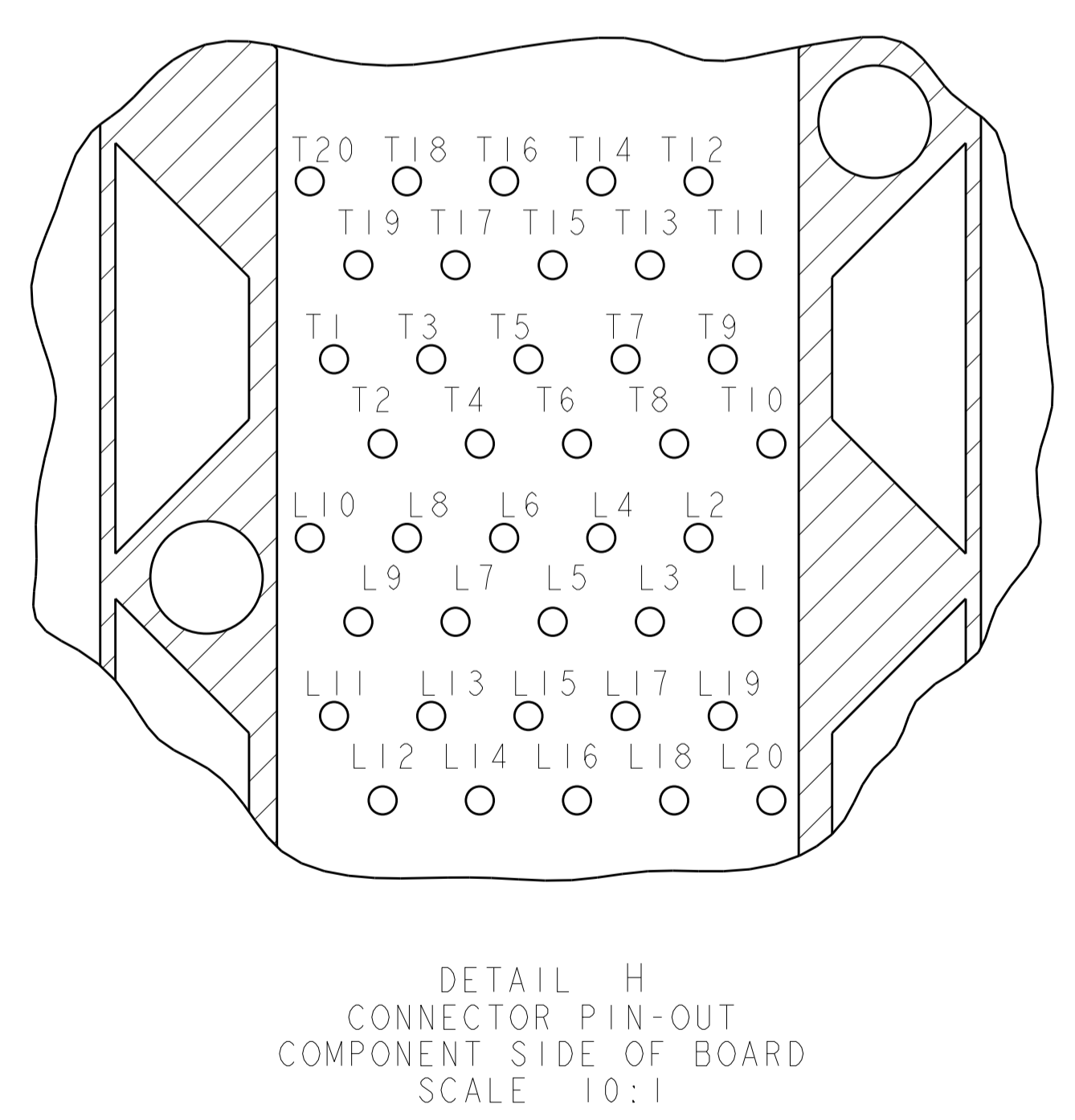
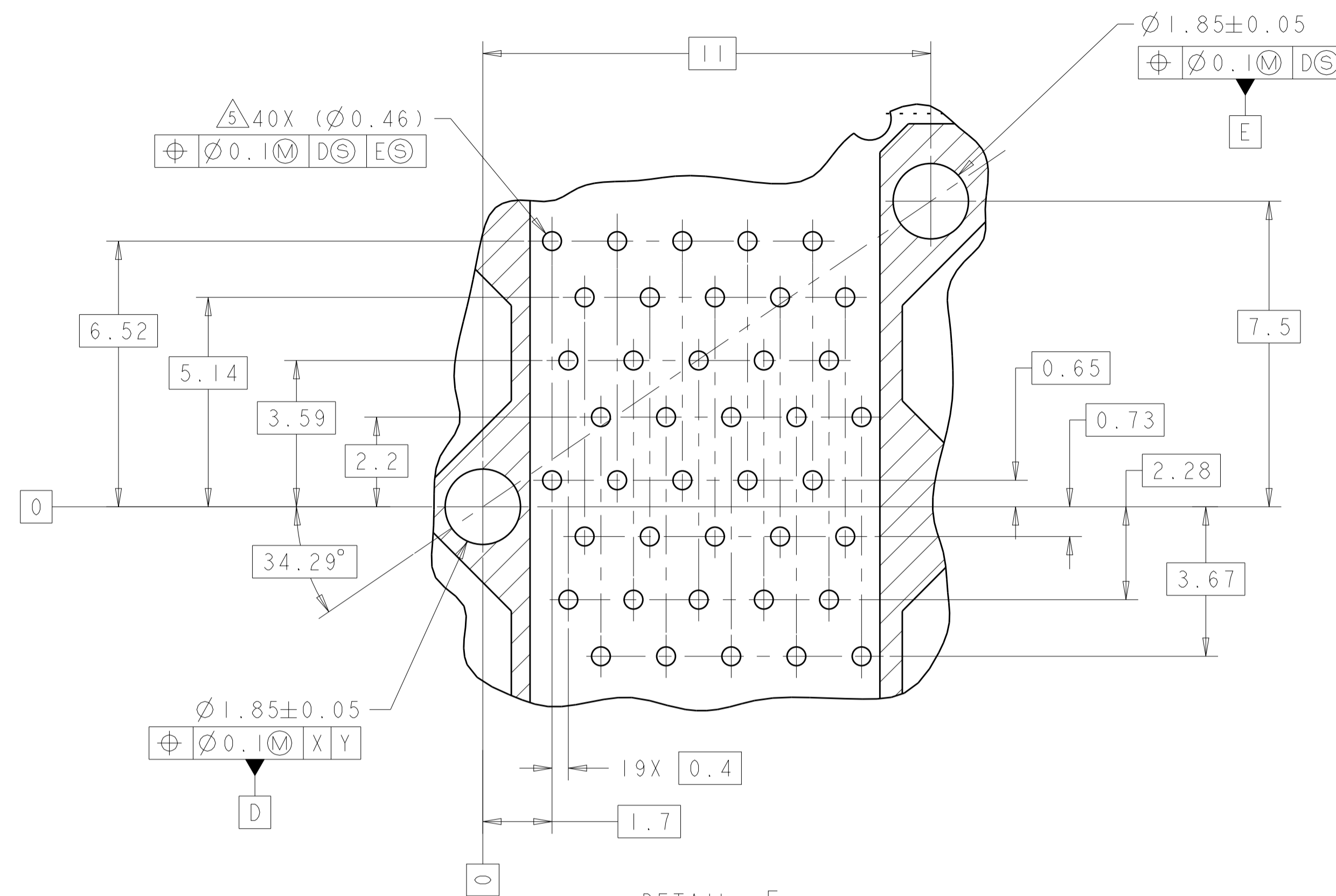
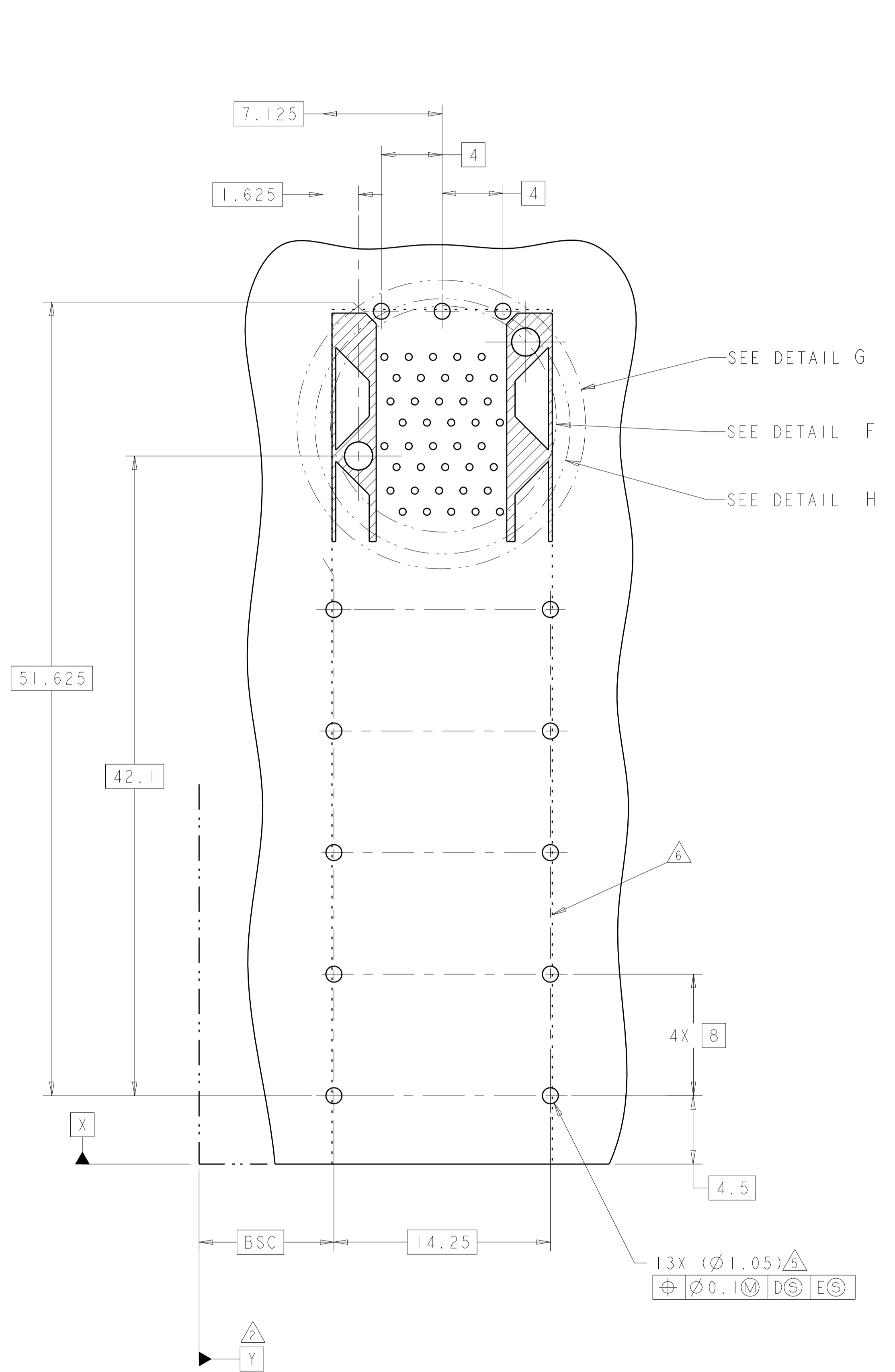
- 1 MATERIALS:  
 CAGE ASSEMBLY- NICKEL SILVER ALLOY PER ASTM B 122.  
 HOUSING- BLACK LCP, UL 94V-0 RATED.  
 CHICKLET- BLACK LCP, UL 94V-0 RATED.  
 CONTACT- COPPER ALLOY.
- 2 DATUM AND BASIC DIMENSIONS ESTABLISHED BY CUSTOMER.
- 3. MINIMUM PCB THICKNESS OF 1.5.
- 4 CONTACT FINISH- CONFORMS TO THE REQUIREMENTS OF TYCO ELECTRONICS PRODUCT SPECIFICATION 108-2331, BASED ON EIA/ECA-364-1000.01A, (CONTROLLED ENVIRONMENT APPLICATIONS) ON MATING INTERFACE, TIN ON NEEDLE EYE.
- 5 FOR HOLE SIZE AND PLATINGS, SEE APPLICATION SPEC 114-13219.
- 6 THE ENTIRE AREA OF THE CONNECTOR FOOTPRINT, INDICATED BY THE DASHED LINE, TO BE CONSIDERED THE KEEPOUT AREA FOR COMPONENTS AND SIGNAL TRACES, TOP SIDE ONLY. TOP SIDE TRACES ALLOWED WITHIN CONNECTOR HOLE PATTERN.



2149102-1  
 PART NUMBER

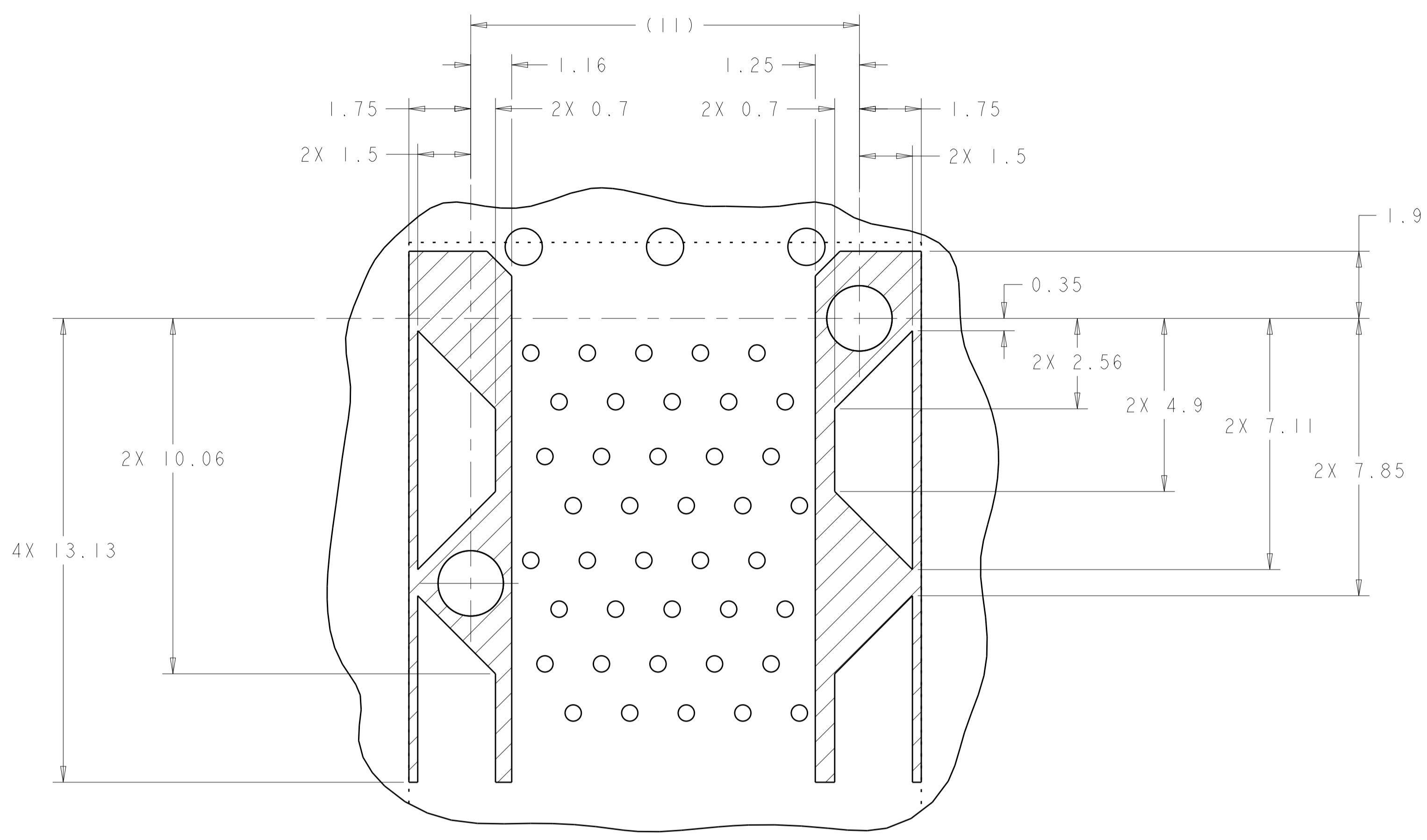
THIS DRAWING IS A CONTROLLED DOCUMENT.		DWN B. MATTHEWS 07AUG2013	TE Connectivity NAME CAGE AND PT CONNECTOR ASSEMBLY, PRESS FIT, 2X1, STACKED SFP+ SIZE CAGE CODE DRAWING NO RESTRICTED TO A100779C=2149102 WEIGHT CUSTOMER DRAWING
DIMENSIONS:		CHK P. RECCE 07AUG2013	
mm		APVD P. RECCE 07AUG2013	
0 PLC ±0.10 1 PLC ±0.10 2 PLC ±0.10 3 PLC ±0.10 4 PLC ±0.10 ANGLES ±°		PRODUCT SPEC 108-2331 APPLICATION SPEC 114-13219	
MATERIAL TBD		FINISH	SCALE 5:1 SHEET 1 OF 3 REV A

REVISIONS				
P.	LTN	DESCRIPTION	DATE	APVD
-	-	SEE SHEET 1	-	-

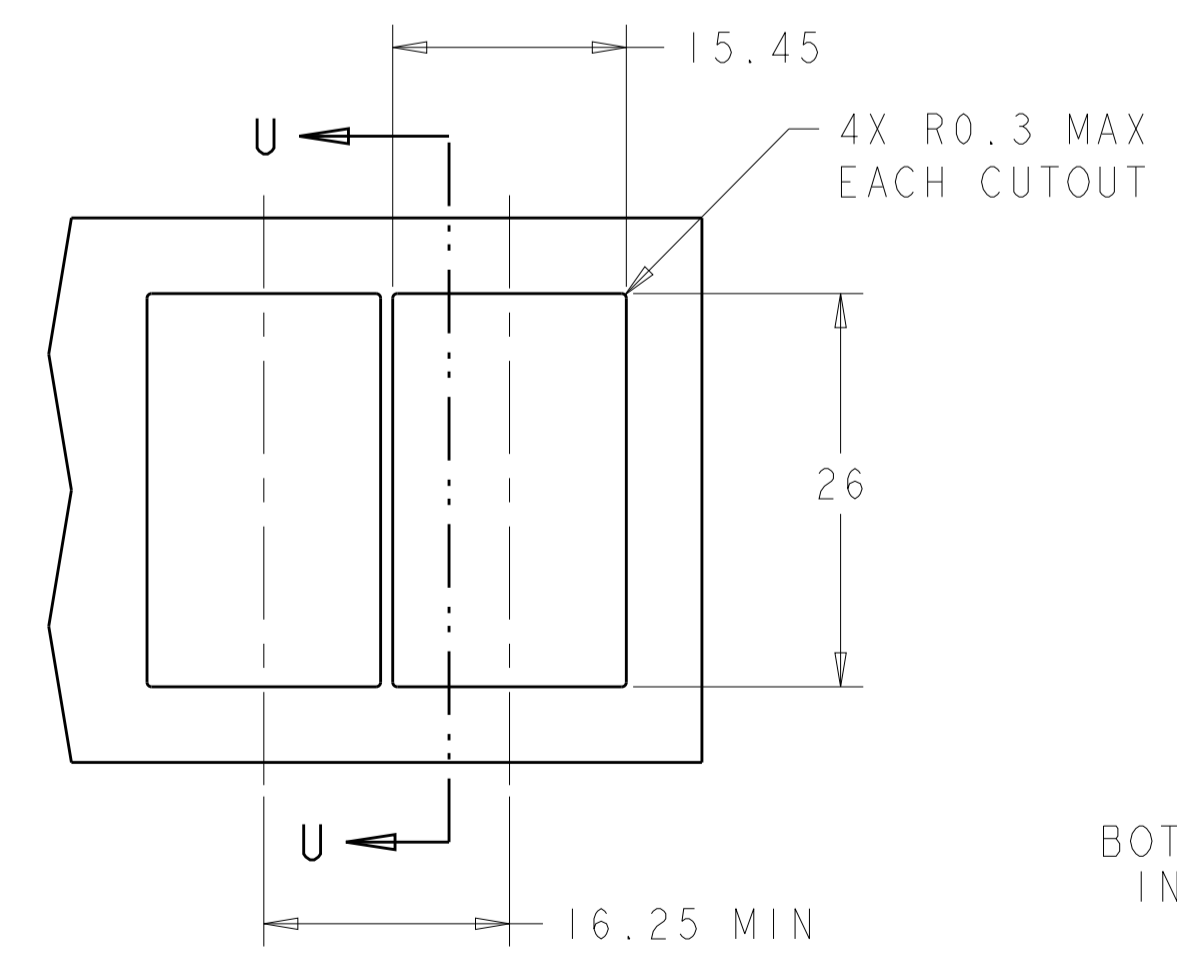


THIS DRAWING IS A CONTROLLED DOCUMENT.		OWN: B. MATTHEWS 07AUG2013	TE Connectivity NAME: CAGE AND PT CONNECTOR ASSEMBLY, PRESS FIT, 2X1, STACKED SFP+
DIMENSIONS: mm		CHK: P. RECCE 07AUG2013	
TOLERANCES UNLESS OTHERWISE SPECIFIED:		APVD: P. RECCE 07AUG2013	PRODUCT SPEC: 108-2331
0 PLC	±0.10	APPLICATION SPEC: 114-13219	SIZE: A1
1 PLC	±0.10	WEIGHT: -	CAGE CODE: 2149102
2 PLC	±0.10	CUSTOMER DRAWING	SCALE: 5:1
3 PLC	±0.10		SHEET: 2 OF 3
4 PLC	±0.10		REV: A
ANGLES	±°		
MATERIAL: TBD			

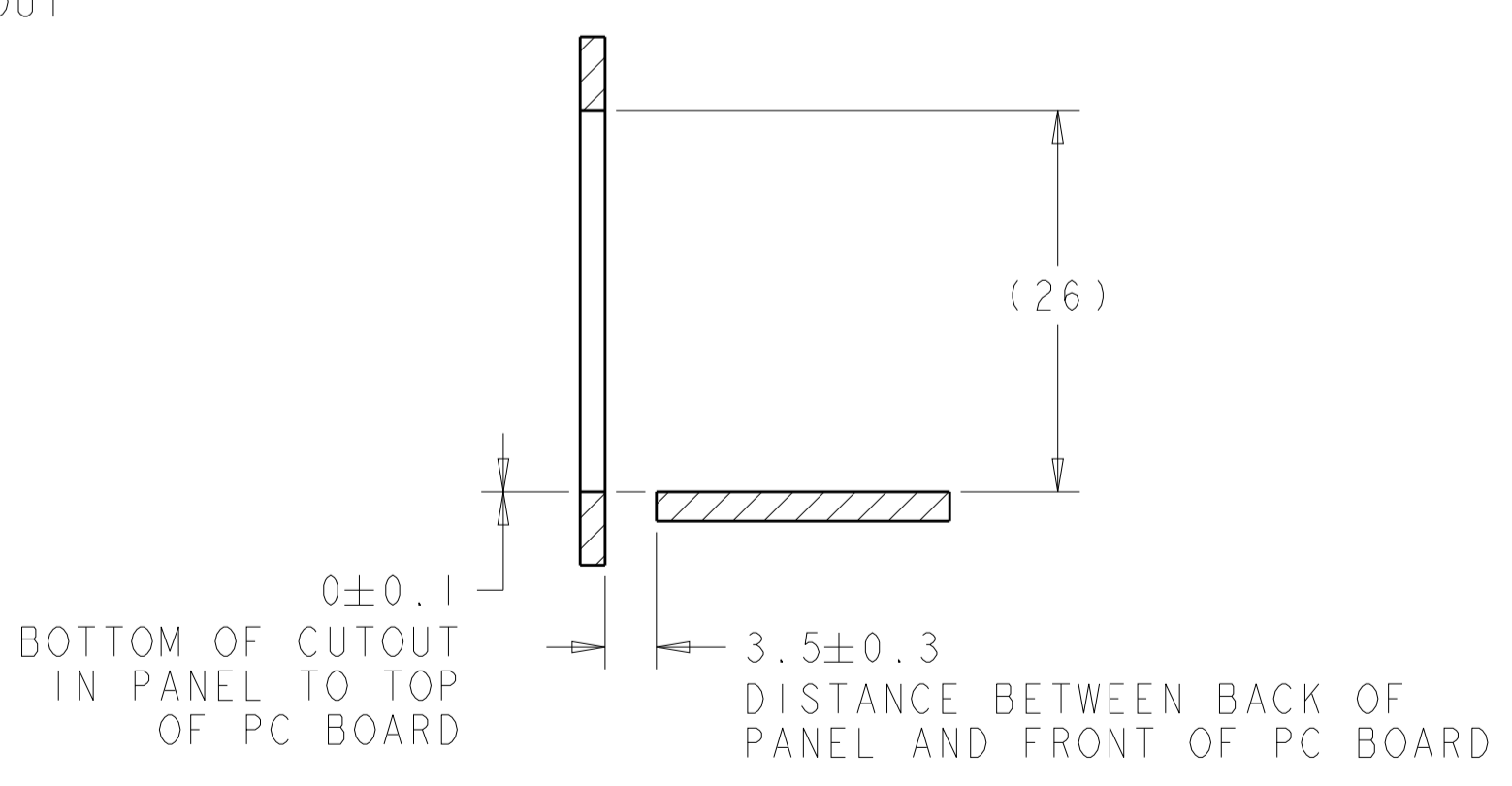
REVISIONS				
P.	LTN	DESCRIPTION	DATE	APVD
-	-	SEE SHEET 1	-	-



DETAIL G  
 CONNECTOR HOUSING  
 KEEPOUT ZONE  
 SCALE 10:1



RECOMMENDED PANEL CUTOUT  
 AND PC BOARD, PANEL POSITION  
 SCALE 2:1



SECTION U-U

THIS DRAWING IS A CONTROLLED DOCUMENT.		DWN B. MATTHEWS 07AUG2013 CHK P. RECCE 07AUG2013 APVD P. RECCE 07AUG2013	TE Connectivity
DIMENSIONS: mm	TOLERANCES UNLESS OTHERWISE SPECIFIED: 0 PLC ±0.10 1 PLC ±0.10 2 PLC ±0.10 3 PLC ±0.10 4 PLC ±0.10 ANGLES ±°	NAME CAGE AND PT CONNECTOR ASSEMBLY, PRESS FIT, 2X1, STACKED SFP+	
	FINISH	PRODUCT SPEC 108-2331 APPLICATION SPEC 114-13219	SIZE CAGE CODE DRAWING NO A100779C=2149102
MATERIAL TBD	WEIGHT	CUSTOMER DRAWING	RESTRICTED TO SCALE 5:1 SHEET 3 OF 3 REV A