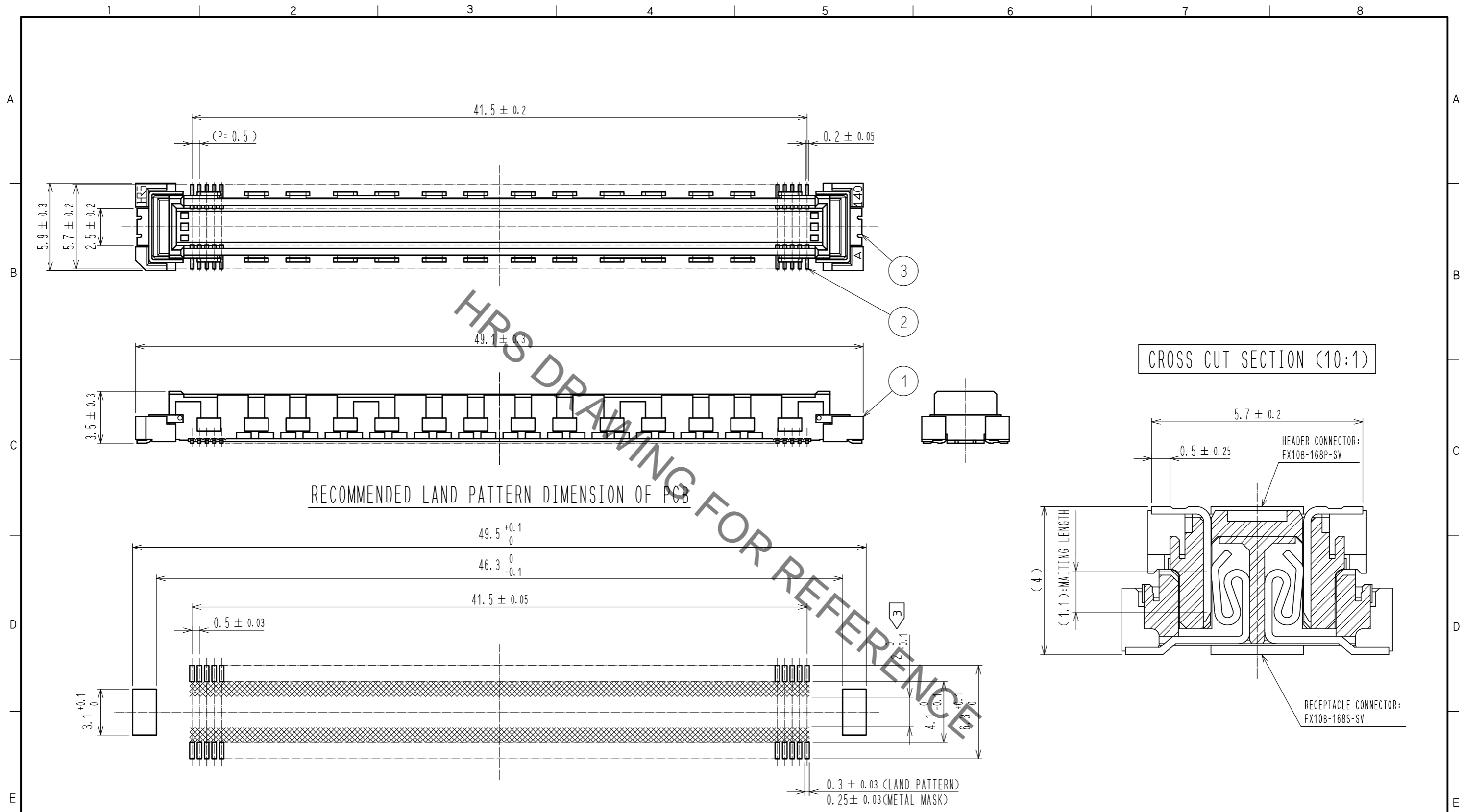


May.1.2023 Copyright 2023 HIROSE ELECTRIC CO., LTD. All Rights Reserved.
In case of consideration for using Automotive equipment / device which demand high reliability, kindly contact our sales window correspondents.



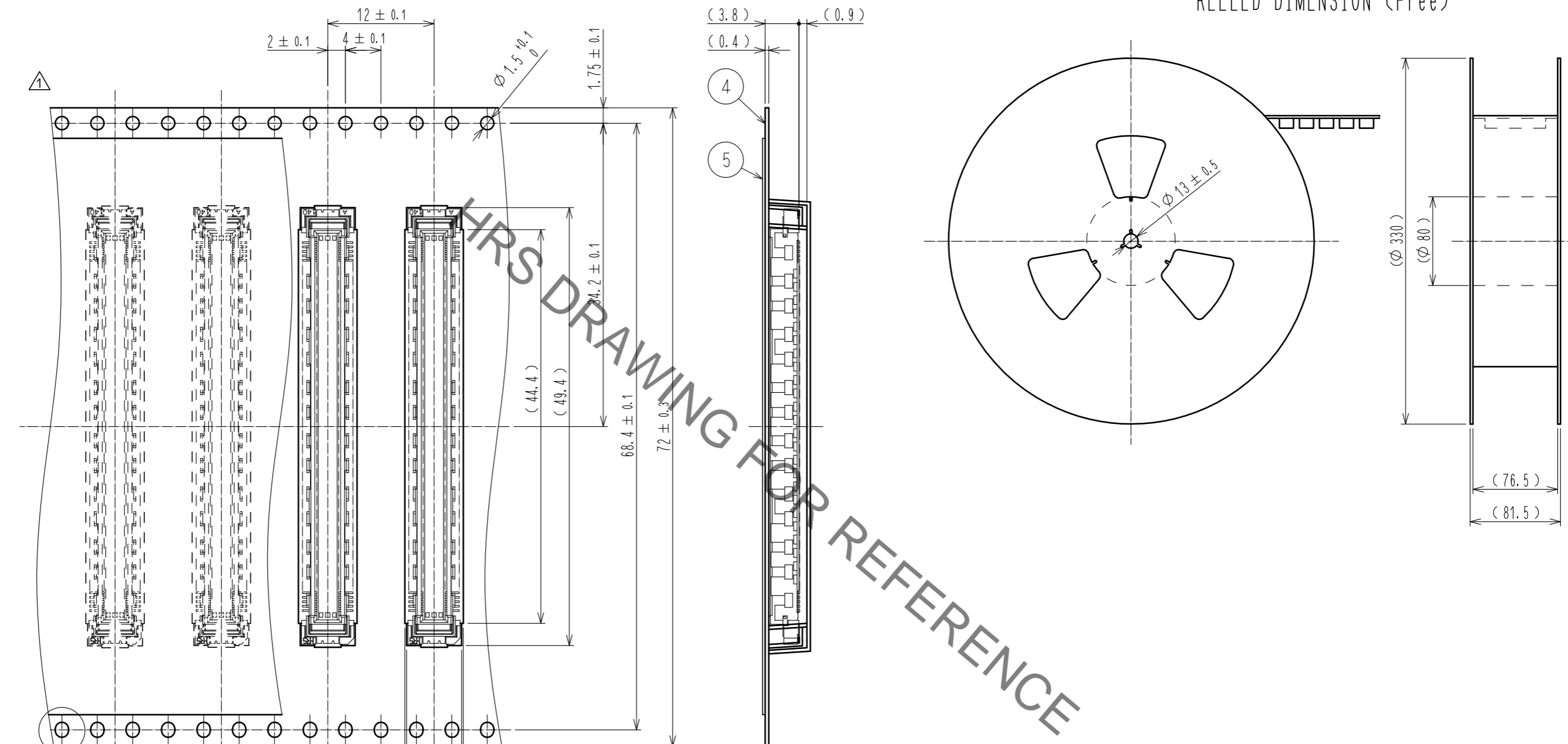
- NOTES
- 1 SMT LEAD-COPLANARITY : 0.1 MAX.
 - 2 THIS PRODUCT HAS NO POLARITY TO PATTERN FOR MOUNTING.
 - 3 MAKE SURE WIDTH OF PATTERN IS WITHIN THAT OF LAND, OR LEAD MAY TOUCH PATTERN. (THIS APPLIES TO HATCHED AREA.)
 - 4 EMBOSS CARRIER TAPE PACKAGE IS APPLIED ON THIS PRODUCT. PLEASE REFER TO THE SHEET 2/2 FOR THE DETAILS.
 - 5 THE DIMENSIONS IN PARENTHESES ARE FOR REFERENCE.

3	PHOSPHOR BRONZE	TIN-PLATING			
2	PHOSPHOR BRONZE	CONTACT AREA : GOLD 0.1μm min.			
		LEAD AREA : TIN-PLATING 1μm min.			
1	LCP	BEIGE	5	PET	TOP COVER TAPE
			4	PS	EMBOSSED CARRIER TAPE
NO.	MATERIAL	FINISH . REMARKS	NO.	MATERIAL	FINISH . REMARKS
UNITS	mm	SCALE	4 : 1	COUNT	1
DESCRIPTION OF REVISIONS			DESIGNED	CHECKED	DATE
DIS-F-00015231			SY. KUDO	HT. YAMAGUCHI	20220908
APPROVED : HS. OKAWA			20070717	DRAWING NO. EDC-151959-91-21	
CHECKED : HS. OZAWA			20070717	PART NO. FX10B-168P-SV(91)	
DESIGNED : SY. KAMIGA			20070717	CODE NO. CL0570-0054-1-91	
DRAWN : HK. SUNADORI			20070711	1/2	

May.1.2023 Copyright 2023 HIROSE ELECTRIC CO., LTD. All Rights Reserved.
 In case of consideration for using Automotive equipment / device which demand high reliability, kindly contact our sales window correspondents.

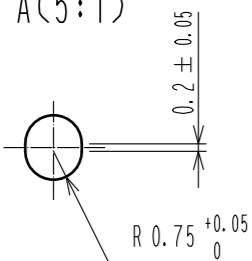
DRAWING FOR PACKING(2:1)

REELED DIMENSION (Free)



THE DIRECTION OF PULLING OUT

A(5:1)



- NOTES
- 6 1 REEL : 1000 CONNECTORS.
 - 7 MINIMUM 10 COMPARTMENTS FROM BOTH REEL ENDS REMAIN EMPTY.
 - 8 THIS PRODUCT HAS NO POLARITY TO TAPE AND REEL PACKAGING.
 - 9 THE DIMENSIONS IN PARENTHESES ARE FOR REFERENCE.

HRS	DRAWING NO.	EDC-151959-91-21
	PART NO.	FX10B-168P-SV(91)
	CODE NO.	CL0570-0054-1-91

2/2