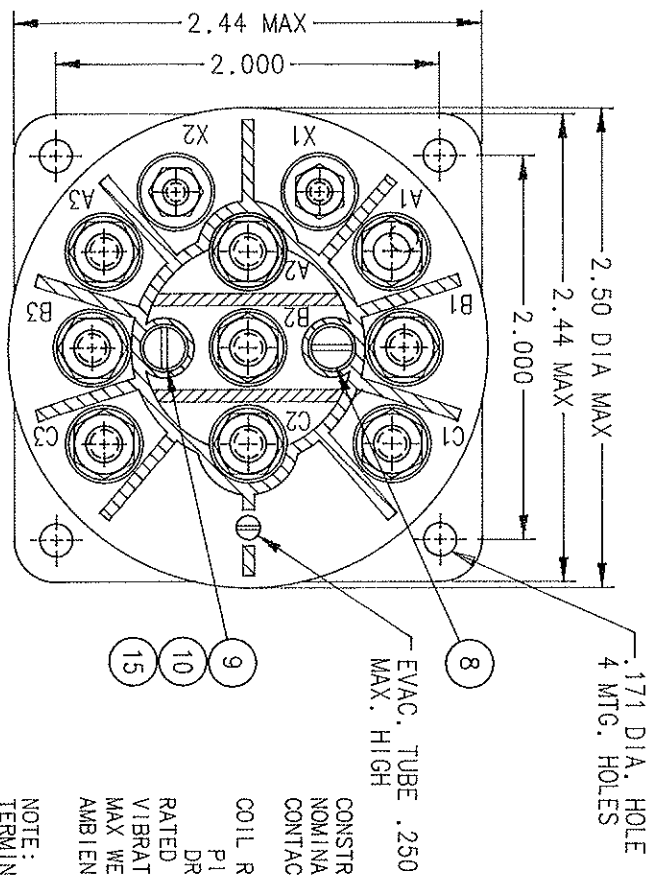


REV.	DESCRIPTION	DATE	APPROVED
T	32550 REDRAWN, REDIMENSIONED, FIND NOS 16 & 17 ADDED	97/04/03	[Signature]



171 DIA. HOLE
4 MTG. HOLES

8 EVAC. TUBE .250
MAX. HIGH

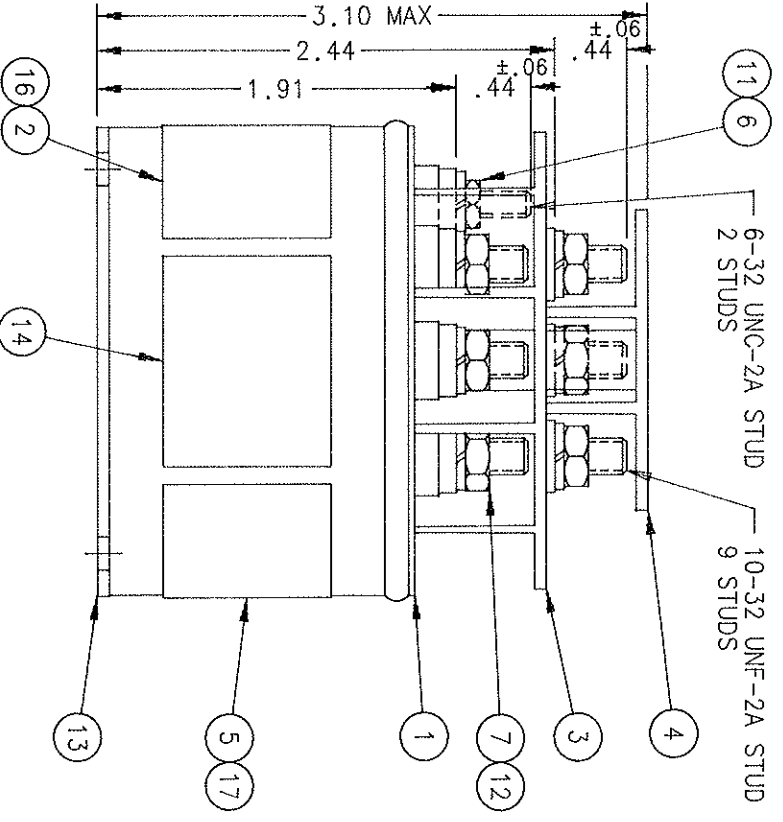
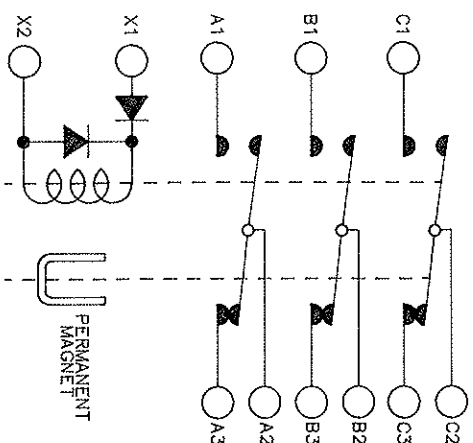
CONSTRUCTION
NOMINAL VOLTAGE
CONTACT RATING

HERMETICALLY SEALED
115 V, 400 HZ
50 A, 120/208 V 400 HZ
15 AMP, 28 VDC
115 V

COIL RATING
PICKUP
DROP/OUT
RATED DUTY
VIBRATION
MAX WEIGHT
AMBIENT TEMPERATURE

90 V MAX HOT
45 V MAX HOT
CONTINUOUS
PROC 1, MIL-E-5272
14 OZ
-65°F TO 165°F

NOTE:
TERMINAL SHIELD IS NOTCHED FOR DRAINAGE.



FIND NO	QTY	PART OR IDENTIFYING NO	NOMENCLATURE OR DESCRIPTION	FSCAL NO	DRAWING OR SPECIFICATION	MATERIAL OR NOTE
17	1	39529-033	OVERLAY-WIRING DIAGRAM			
16	1	39529-001	OVERLAY-NAMEPLATE			
15	2	51701-180	WASHER 3/16 X .103 X .094			MYLAR
14	1	17959-001	PLATE-WARNING			
13	1	19659-010	CONTACTOR ASSEMBLY-PRIMARY			
12	9	51810-054	WASHER-LOCK #10 SPLIT TYPE			BRONZE
11	2	51806-014	WASHER-LOCK #6 SPLIT TYPE			BRONZE
10	2	51805-011	WASHER-LOCK #5 SPLIT TYPE			BRONZE
9	1	51205-391	SCREW 5-40 X 1 1/8 RD HD			BRASS
8	1	51205-691	SCREW 5-40 X 3/8 RD HD			BRASS
7	9	50410-054	NUT 10-32 X 5/16 X 9/64 HEX			BRASS
6	2	50406-034	NUT 6-32 X 1/4 X 5/64 HEX			BRASS
5	1	17384-001	PLATE-WIRING DIAGRAM			
4	1	15553-001	SHIELD-TERMINAL			
3	1	13549-001	SHIELD-TERMINAL			
2	1	16043-001	PLATE-NAME			
1	1	13537-027	PLATE-BASE COVER			

2 PL DECALS PL DEC LANGLES
*.03 *.010 *.1*

UNLESS OTHERWISE SPECIFIED
DIMENSIONS ARE IN INCHES
TOLERANCES IN

DR BY RLS 97/04/21
CHK BY TCS 97/04/23
ENGR BY [Signature] 97/04/24
MFG BY [Signature] 97/04/24

RELEASE
CONTR NO.
COUT APPVL

SIZE CODE IDENT DWG NO.
C 74063 DHR-7B

SCALE NONE SHEET

HARTMAN ELECTRICAL MANUFACTURING
MANSFIELD, OHIO

CONTACTOR-3PDT
HERMETICALLY SEALED

093