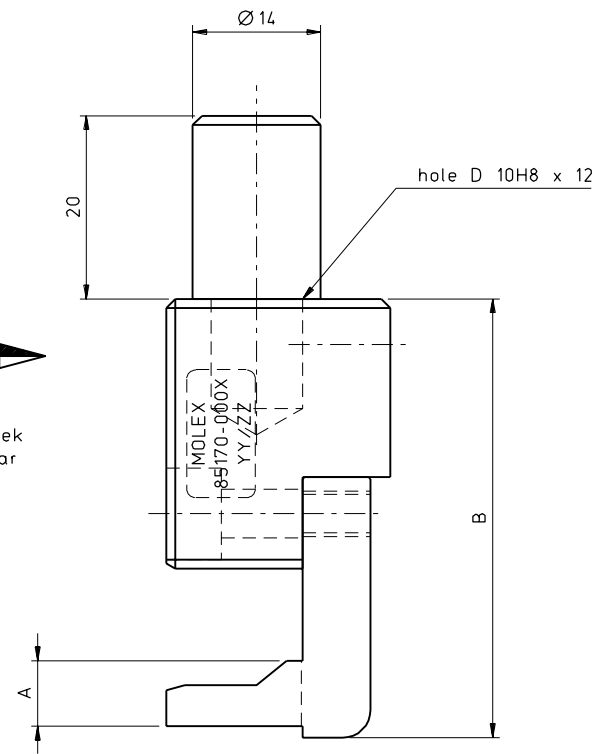
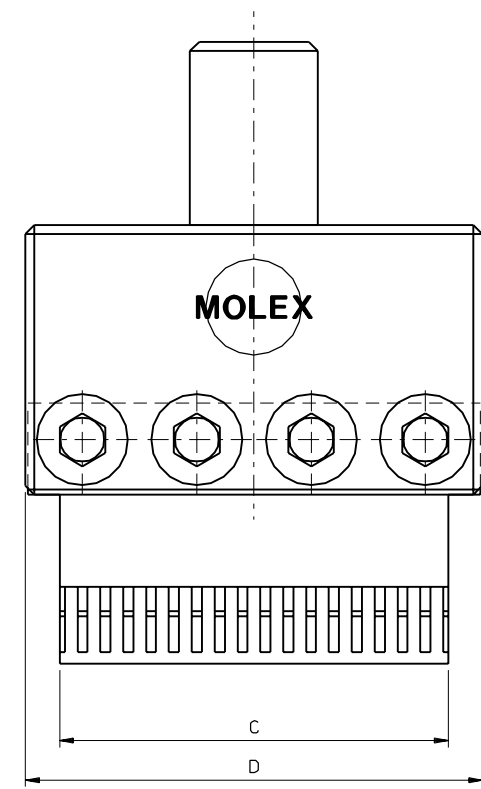


PART NO.
DWG. NO.

YY = week
ZZ = year



View Z



| Mat. Nr. | Description | A | B | C | D |
|------------|-------------------------------------|------|-------|------|-----|
| 85170-0001 | Press tool Vertical female 4SU/22 | 10.7 | 71.45 | 92.5 | 100 |
| 85170-0002 | Press tool Vertical female 4SU/18.5 | 7.2 | 67.95 | 92.5 | 100 |
| 85170-0003 | Press tool Vertical female 2SU/22 | 10.7 | 51.45 | 42.5 | 50 |
| 85170-0004 | Press tool Vertical female 2SU/18.5 | 7.2 | 47.95 | 42.5 | 50 |
| 85170-0005 | Press tool Vertical female 1SU/22 | 10.7 | 51.45 | 17.5 | 25 |
| 85170-0006 | Press tool Vertical female 1SU/18.5 | 7.2 | 47.95 | 17.5 | 25 |

EC NO. 2502
DRWN: T. Betz 4 / 6 97
CHK: / / /
APPR: / / /
A

DESCRIPTION
MAJOR
CRITICAL
C

QUALITY SYMBOLS
GENERAL TOLERANCES: (UNLESS SPECIFIED)
4 PLACES ±0. mm ±. INCH
3 PLACES ±0. mm ±. INCH
2 PLACES ±0. mm ±. INCH
1 PLACE ±0. mm ±. INCH
ANGULAR: ± 1/2 °
DRAFT WHERE APPLICABLE MUST REMAIN WITHIN DIMENSIONS

SCALE 2:1
DESIGN UNITS mm INCH
DRAWN BY & DATE T.B. 4 / 10 / 95
CHECKED BY & DATE / /
APPROVED BY & DATE / /
CAD FILENAME 85170001.S01

DIMENSIONS: mm INCH mm ONLY
THIRD ANGLE PROJECTION
TITLE: Omnigridd Press Tool Vertical Female
MOLEX INCORPORATED
MATERIAL NO. see chart SD
DRAWING NO. 85170-001
SHEET NO. 10F 1
REVISIONS: SHT REV REVISE ON CAD ONLY
THIS DRAWING CONTAINS INFORMATION THAT IS PROPRIETARY TO MOLEX INCORPORATED AND SHOULD NOT BE USED WITHOUT WRITTEN PERMISSION.
SIZE B