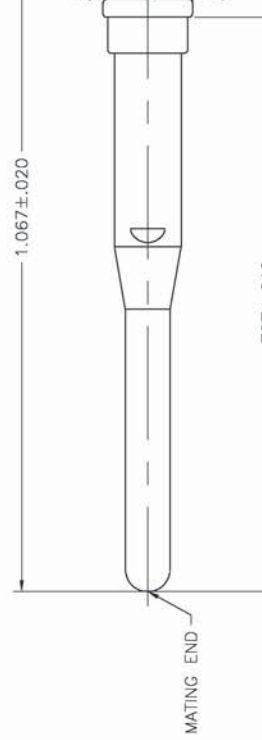
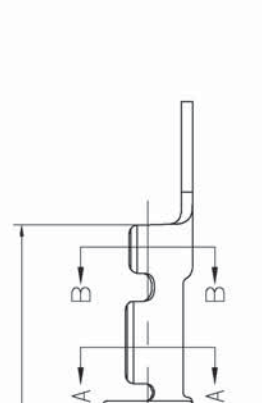
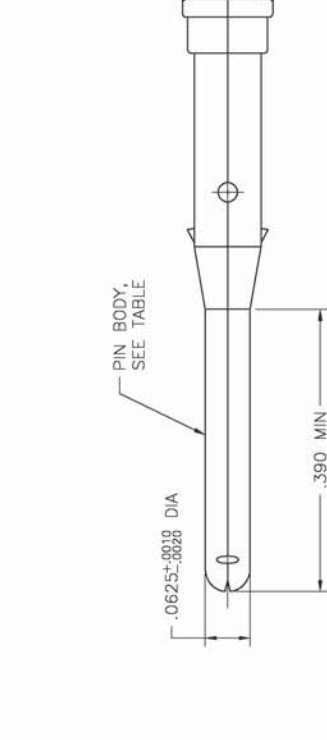
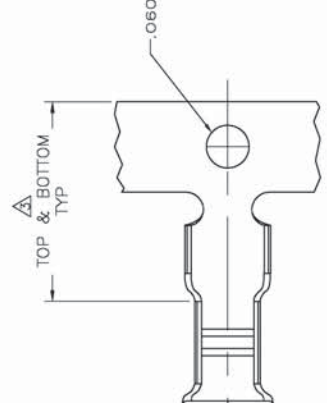
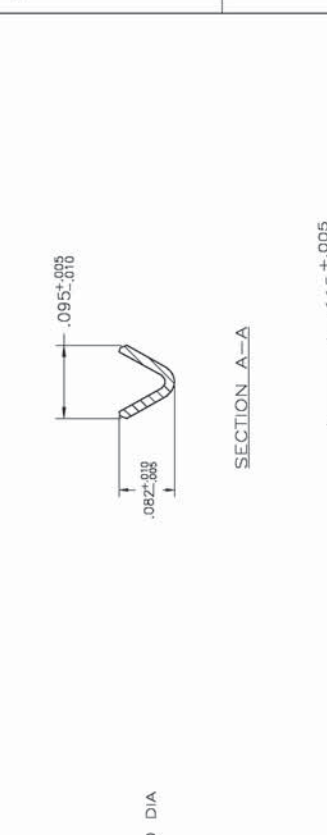


LOC	REV	DATE	BY	CHK	APP
FT	0	10/11/04	F	SS	GS

REV	DESCRIPTION
0	REVISED PER QG3B-0897-04



REELING	PIN BODY FINISH	MATERIAL	PART NUMBER
S. SCHLEGEL	9/13/04	BRASS	2-66094-4
MFG. G. STEINHAUER	9/13/04	TYCO ELECTRONICS	
PRODUCT SPEC			

THIS DRAWING IS A CONTROLLED DOCUMENT.	
REV	DATE
0	10/11/04
BY: S. SCHLEGEL	
MFG: G. STEINHAUER	
PRODUCT SPEC	
APPLICATION SPEC	
WEIGHT	
CUSTOMER DRAWING	

DISCHARGE SPEC:	SIZE	DATE CODE	DRAWING NO
0 P L C	A2	00779	66094
1 P L C			
2 P L C			
3 P L C			
4 P L C			
ANGLES			
FINISH			

DMENSIONS:	RESTRICTED TO
INCHES	
MATERIAL	
SCALE	8:1
SHEET	1 OF 1
REV	F

NOTES:

1. REVERSE REELED FOR MINI-APPLICATOR.

2. 1.27um [.000050] MIN TIN-LEAD PER MIL-T-10727 OVER 1.27um [.000050] MIN NICKEL PER QQ-N-290.

3. WIRE RANGE 20-24 AWG.

4. INSULATION RANGE .040-.080 DIA.

LOC	REV	DATE	BY	CHK	APP
FT	0	10/11/04	F	SS	GS