

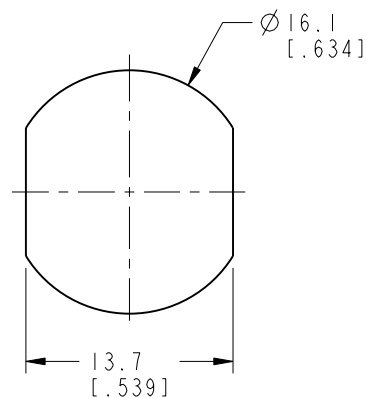
NOTES:

1. MATERIALS AND FINISHES:
  - BODY, HEX NUT - BRASS, NICKEL PLATING
  - CONTACT - BeCu, GOLD PLATING
  - INSULATOR - PTFE, NATURAL
  - LOCK WASHER - PHOSPHOR BRONZE, NICKEL PLATING
  - O-RINGS - SILICONE RUBBER, RED AND BLACK
2. ELECTRICAL:
  - A. IMPEDANCE: 50 OHM
  - B. FREQUENCY RANGE: DC - 6 GHz
  - C. VSWR(RETURN LOSS): 1.20 MAX. @ DC - 6 GHz
  - D. DIELECTRIC WITHSTANDING VOLTAGE: 500 VRMS, MIN.
3. MECHANICAL:
  - A. DURABILITY: 500 CYCLES MIN.
  - B. TEMPERATURE RANGE: -65° C TO 165° C
4. PACKAGING:
  - A. QUANTITY: SINGLE PACK
  - B. MARKING: PACKAGING TO BE MARKED "AMPHENOL RF, AD-NJMCXJ-2, DATE CODE"

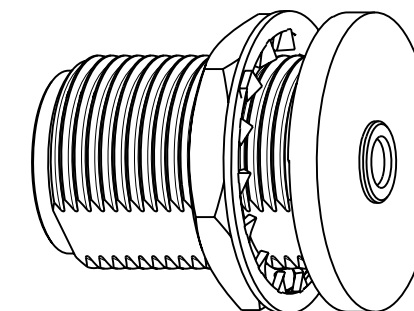
THIRD ANGLE PROJ.

REVISIONS

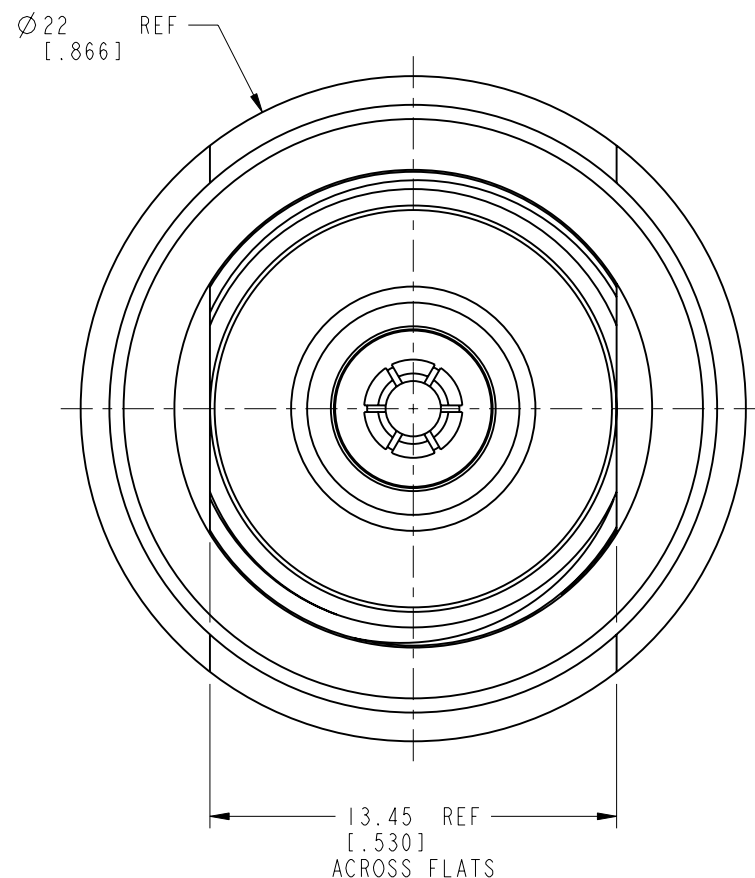
REV	DESCRIPTION	DATE	ECN	APPR
A	RELEASE TO MFG.	04-Oct-19	13921	SV



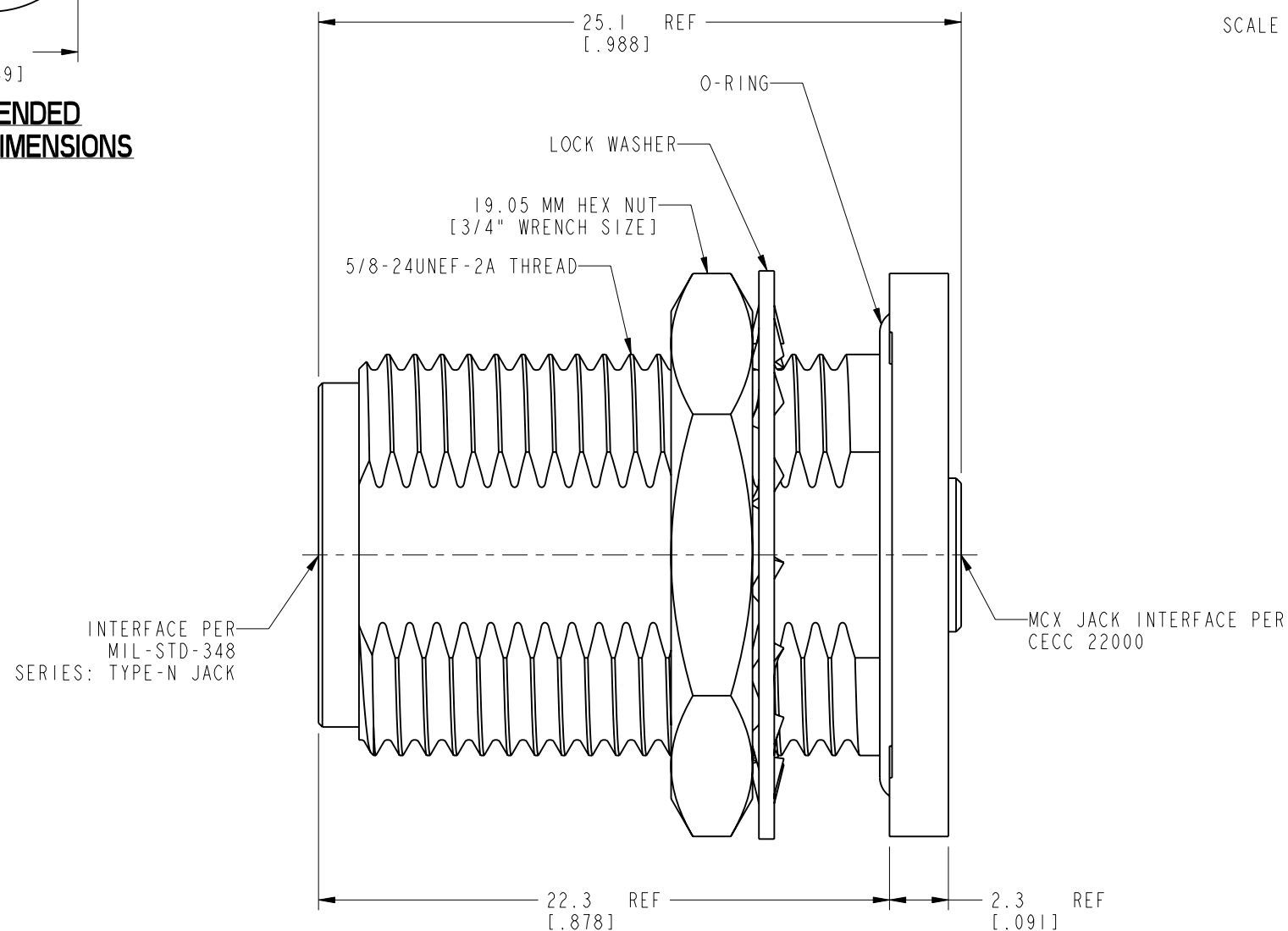
**RECOMMENDED MOUNTING DIMENSIONS**



SCALE 1.800



**HEX NUT AND LOCKWASHER NOT SHOWN**



**CUSTOMER OUTLINE DRAWING**

ALL OTHER SHEETS ARE FOR INTERNAL USE ONLY

UNLESS OTHERWISE SPECIFIED, DIMENSIONS ARE IN METRIC AND TOLERANCES ARE: <0.5mm ±0.05mm    0.5 - 6mm ±0.1mm    6 - 30mm ±0.2mm    30 - 120mm ±0.3mm    ANGLES ±1°	MATERIAL SEE NOTES	DRAWN WIKI	DATE 17-Dec-19	TITLE TYPE N BHD JACK TO MCX JACK ADAPTER IP 67		Amphenol RF www.amphenolrf.com	
	REFERENCE EAR# 9276 REF: ---	ENGINEER STAR	DATE 3-Jan-20				
NOTICE - These drawings, specifications, or other data (1) are, and remain the property of Amphenol corp. (2) must be returned upon request; and (3) are confidential and not to be disclosed to any person other than those to whom they are given by Amphenol Corp. the furnishing of these drawings, specifications, or other data by Amphenol Corp., or to any other person to anyone for any purpose is not to be regarded by implication or otherwise in any manner licensing, granting rights to permitting such holder or any other person to manufacture, use or sell any product, process or design, patented or otherwise, that may in any way be related to or disclosed by said drawings, specifications, or other data.	CONFIGURATION LEVEL: In Work	APPROVED S.HSIEH	DATE 3-Jan-20	SCALE: 4.0:1.0	SHEET 2 OF 2	ITEM NO. AD-NJMCXJ-2	PART NO. AD-NJMCXJ-2
	FINISH	CAD FILE	DWG SIZE B	REV A			