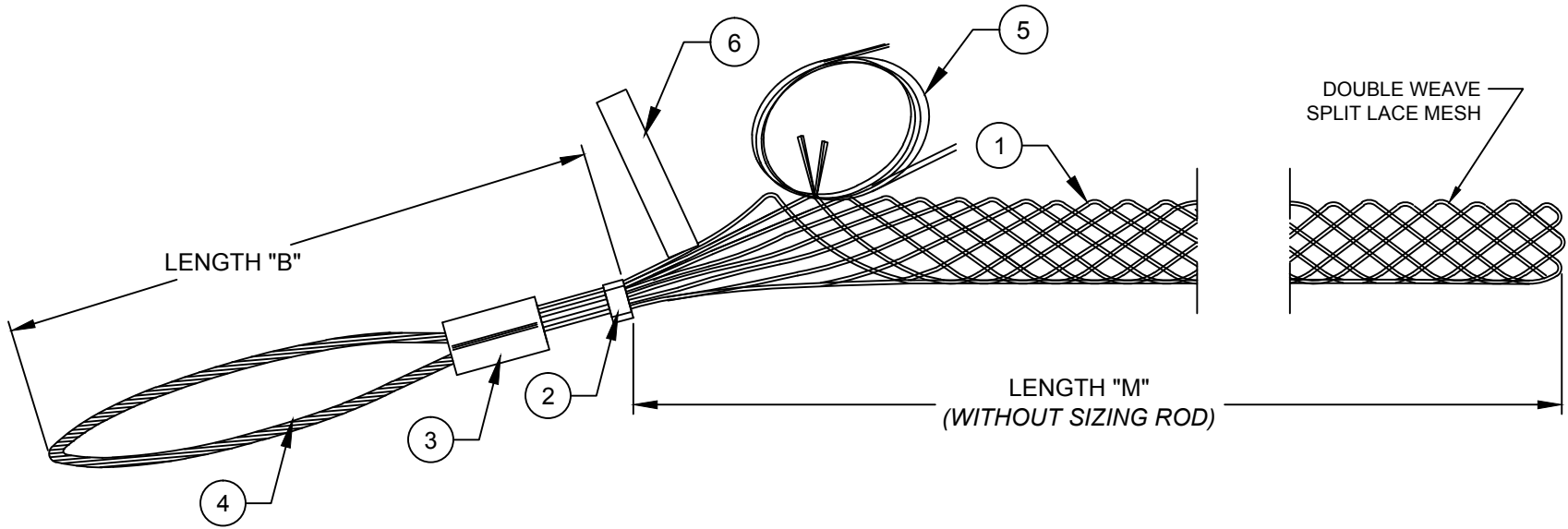


CATALOG NUMBER	MATERIAL NUMBER	CABLE RANGE	LENGTH "M"	LENGTH "B"	LACE LENGTH (2 REQUIRED)	APPROXIMATE BREAK STRENGTH* (LBS/N)	UL LISTED	CSA APPROVED	PRODUCT SELECTION NUMBER
36130	1300950249	.75-.99 / 19.1-25.1	21.00±2.50 / 533.4±63.5	8.00±1.00 / 203.2±25.4	63.0±2.0 / 1600±51	3000 / 13345	NO	YES	SSK075-2
36131	-----	1.00-1.24 / 25.4-31.5	21.00±2.50 / 533.4±63.5	8.00±1.00 / 203.2±25.4	63.0±2.0 / 1600±51	4100 / 18238			SSK100-2
36132	-----	1.25-1.49 / 31.8-37.8	24.00±2.50 / 609.6±63.5	9.00±1.00 / 228.6±25.4	72.0±2.0 / 1829±51	4100 / 18238			SSK125-2
36133	-----	1.50-1.74 / 38.1-44.2	26.00±2.50 / 660.4±63.5	10.00±1.00 / 254.0±25.4	76.0±2.0 / 1930±51	5500 / 24465			SSK150-2
36134	1300950250	2.00-2.49 / 50.8-63.2	27.00±2.50 / 685.8±63.5	10.00±1.00 / 254.0±25.4	86.0±3.0 / 2184±76	7300 / 32472			SSK200-2
36135	1300950251	2.50-2.99 / 63.5-75.9	30.00±3.50 / 762.0±88.9	10.00±1.00 / 254.0±25.4	96.0±3.0 / 2438±76	7300 / 32472			SSK250-2
36136	1300950252	3.00-3.49 / 76.2-88.6	33.00±3.50 / 838.2±88.9	12.00±1.00 / 304.8±25.4	96.0±3.0 / 2438±76	9200 / 40924			SSK300-2
36137	-----	3.50-3.99 / 88.9-101.3	36.00±3.50 / 914.4±88.9	12.00±1.00 / 304.8±25.4	108.0±3.0 / 2743±76	11000 / 48930			SSK350-2

* TO DETERMINE RECOMMENDED WORKING LOAD, DIVIDE BREAK STRENGTH BY 5.



ITEM	DESCRIPTION	MATERIAL
1	WIRE MESH	GALVANIZED STEEL
2	CRIMP CONNECTOR	ALUMINUM
3	FERRULE	ALUMINUM
4	BALE WIRE	STAINLESS STEEL
5	LACE	GALVANIZED STEEL
6	LABEL	MYLAR

RELEASE SALES DWG	DESCRIPTION
EC NO: IFC2015-1537	REV
DRWN: HRUIZ01 2015/03/03	
CHKD: HKNEELAN 2015/03/03	
APPR: JFMURPHY 2015/06/12	
A	

QUALITY SYMBOLS	$\nabla = 0$ $\nabla / C = 0$
-----------------	----------------------------------

GENERAL TOLERANCES (UNLESS SPECIFIED)	
	mm / INCH
4 PLACES	±--- / ±---
3 PLACES	±--- / ±.005
2 PLACES	±.13 / ±.010
1 PLACE	±.25 / ±.020
ANGULAR ±1/2°	
DRAFT WHERE APPLICABLE MUST REMAIN WITHIN DIMENSIONS	

DIMENSION STYLE	
INCH/MM	
DRAWN BY	DATE
HRUIZ01	2015/03/03
CHECKED BY	DATE
HKNEELAN	2015/03/03
APPROVED BY	DATE
JFMURPHY	2015/06/12
MATERIAL NO.	SEE TABLE
SIZE	A

SCALE	DESIGN UNITS	THIRD ANGLE PROJECTION
NTS	INCH	
TITLE		
PULLING GRIPS HEAVY DUTY SLACK GRIP SPLIT LACE LONG LENGTH		
MOLEX INCORPORATED		
DOCUMENT NO.	SD-130095-117	SHEET NO. 1 OF 1
THIS DRAWING CONTAINS INFORMATION THAT IS PROPRIETARY TO MOLEX INCORPORATED AND SHOULD NOT BE USED WITHOUT WRITTEN PERMISSION		