

Open Type Trimmer

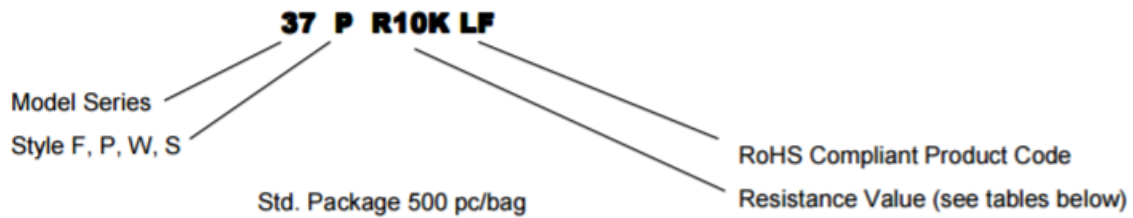
Model 37



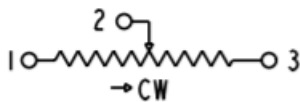
Environmental

Operating Temperature Range	-30°C to +100°C
Rotational Life, 50 Cycles	±10% ΔR
Load Life, 0.5W, 500 Hours, 70°C	±5% ΔR
Resistance to Solder Heat	260°C for 3 sec.
Aqueous cleaning not recommended	

Ordering Information



Circuit Diagram



Standard Resistance Values, Ohms

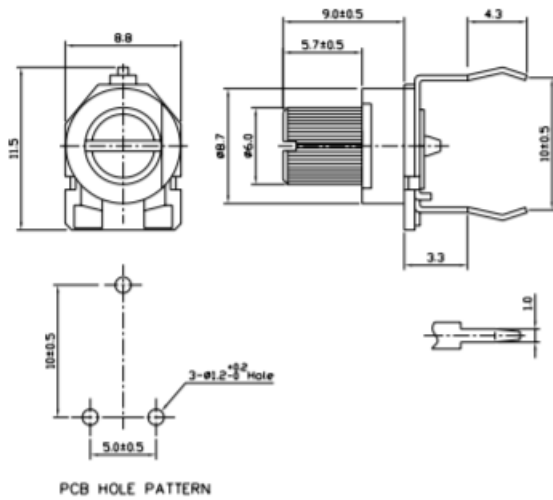
Resistance (ohms)	Part Marking
100	101
200	201
500	501
1K	102
2K	202
5K	502
10K	103
20K	203
50K	503
100K	104
200K	204
500K	504
1MEG	105

General Note

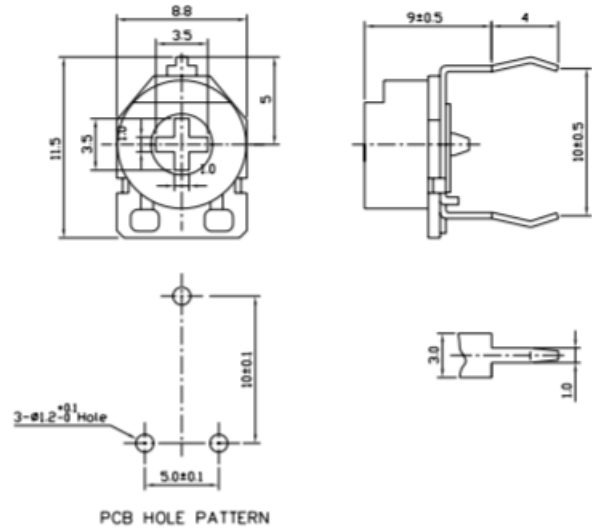
TT Electronics reserves the right to make changes in product specification without notice or liability. All information is subject to TT Electronics' own data and is considered accurate at time of going to print.

Outline Drawings

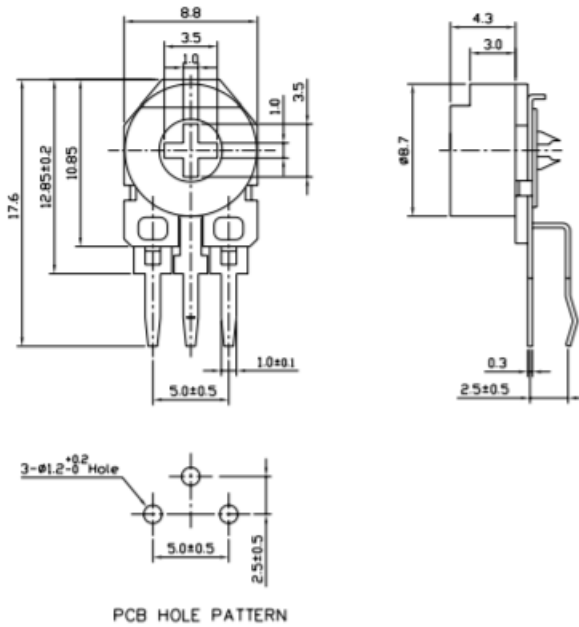
Model 37F (Top Adjust with extension)



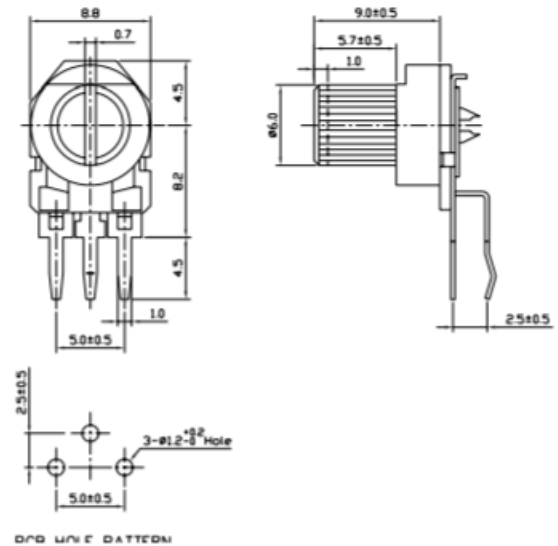
Model 37P (Top Adjust)



Model 37W (Side Adjust)



Model 37S (Side Adjust with extension)



General Note

TT Electronics reserves the right to make changes in product specification without notice or liability. All information is subject to TT Electronics' own data and is considered accurate at time of going to print.