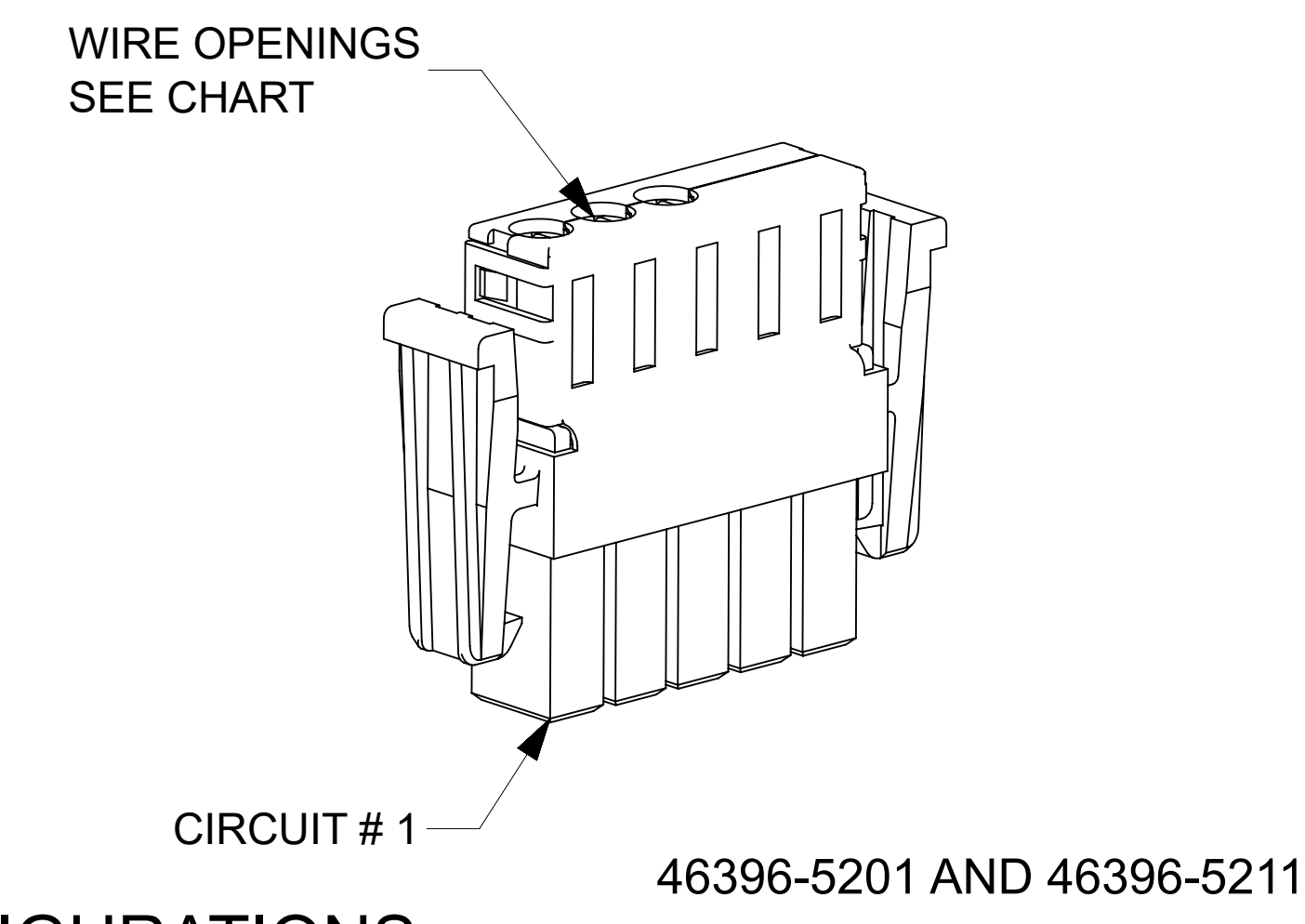
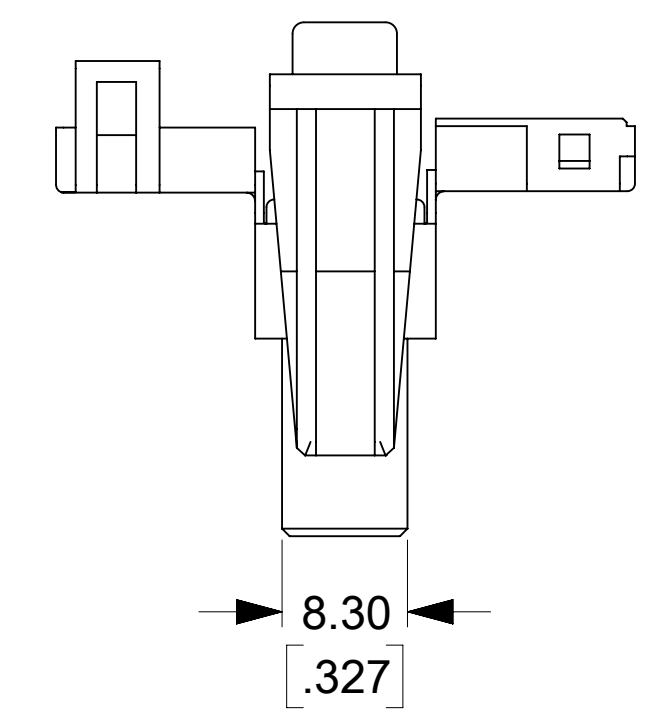
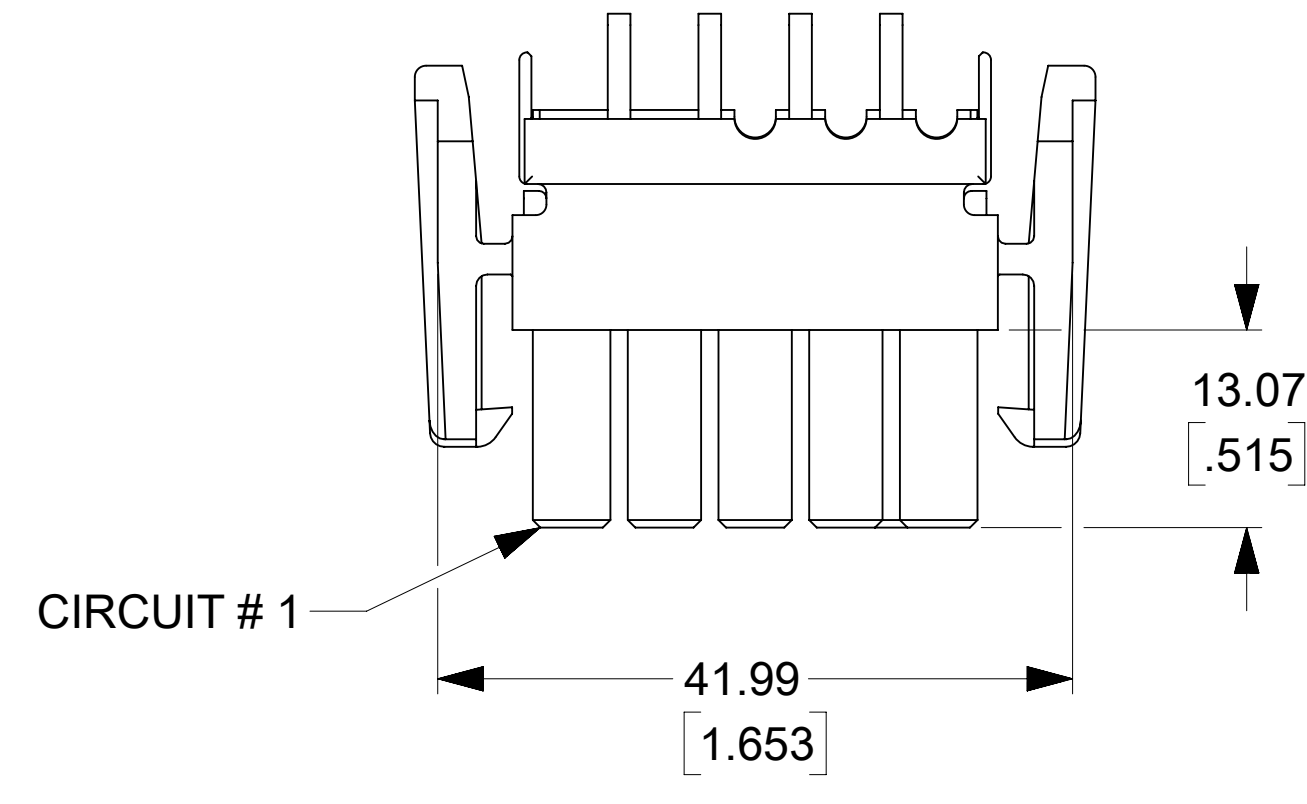
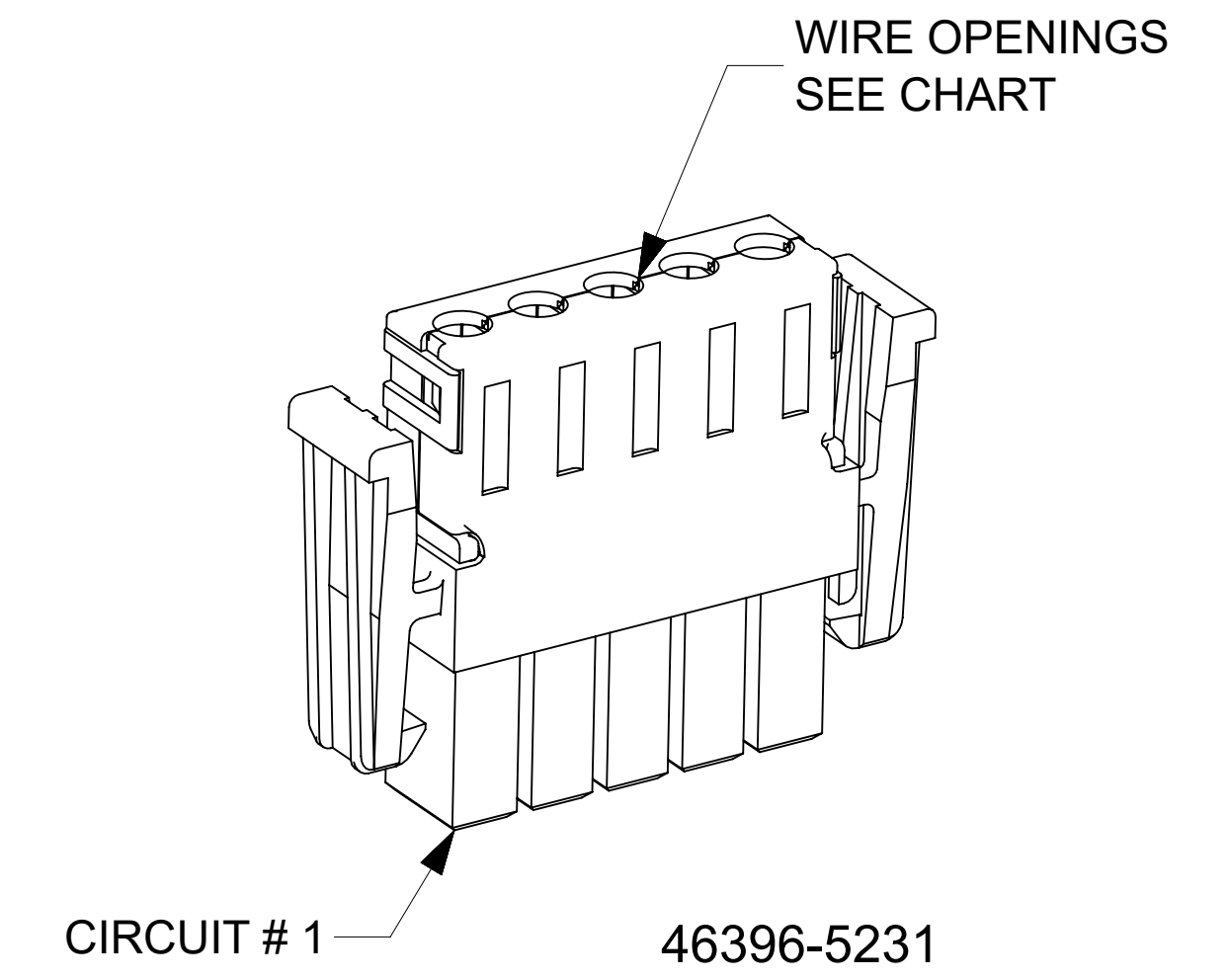
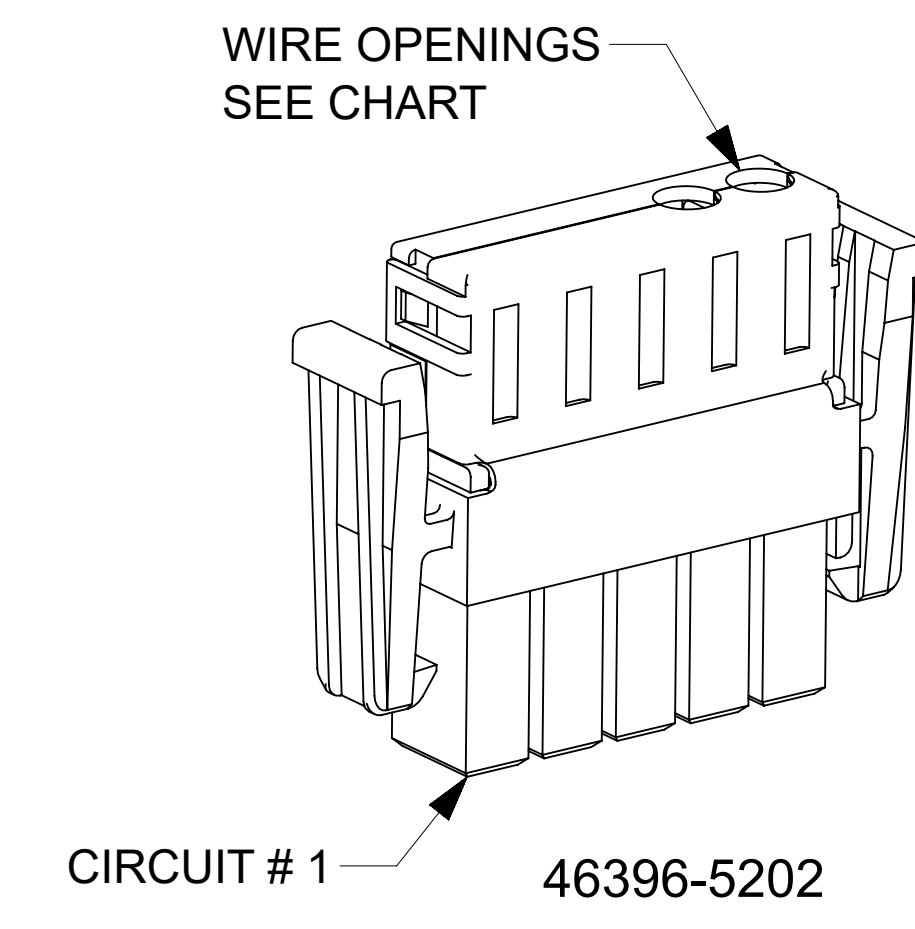
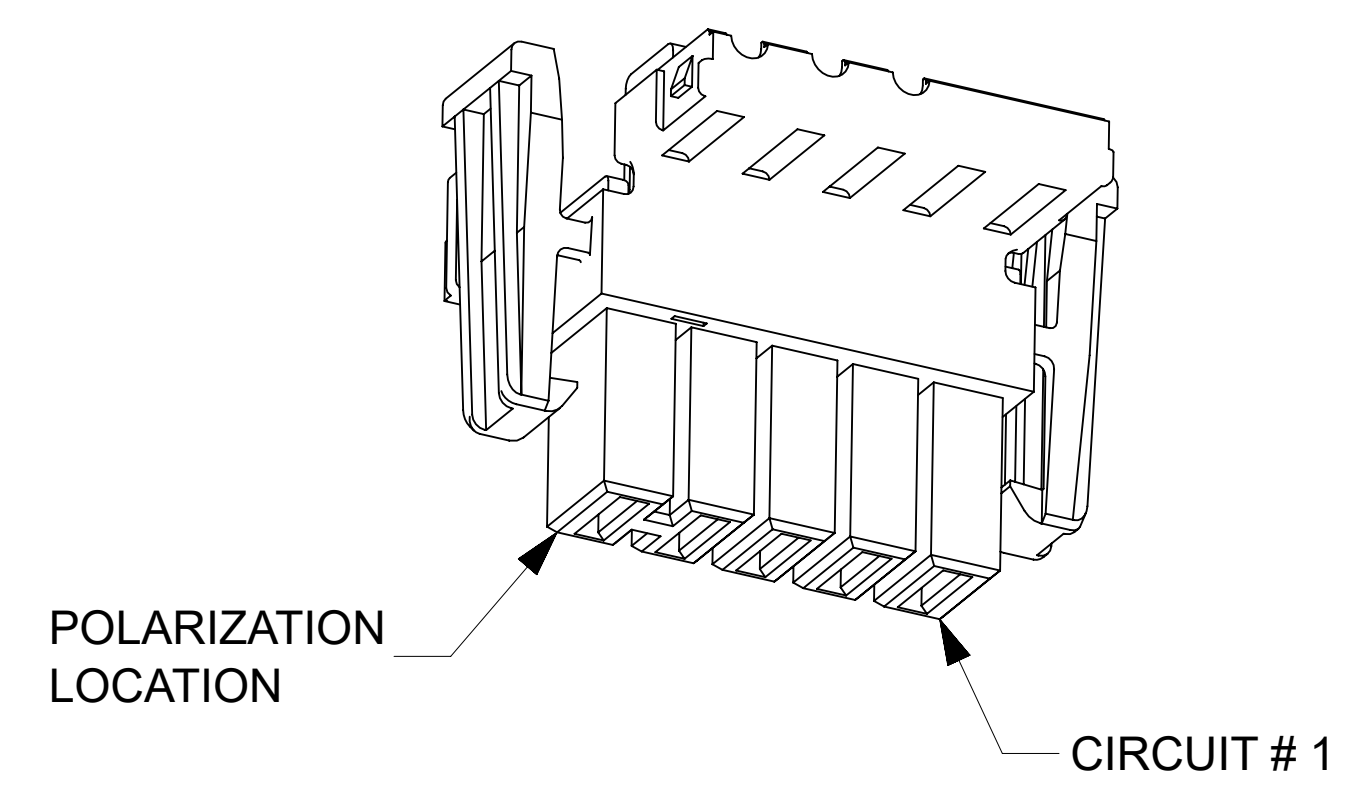
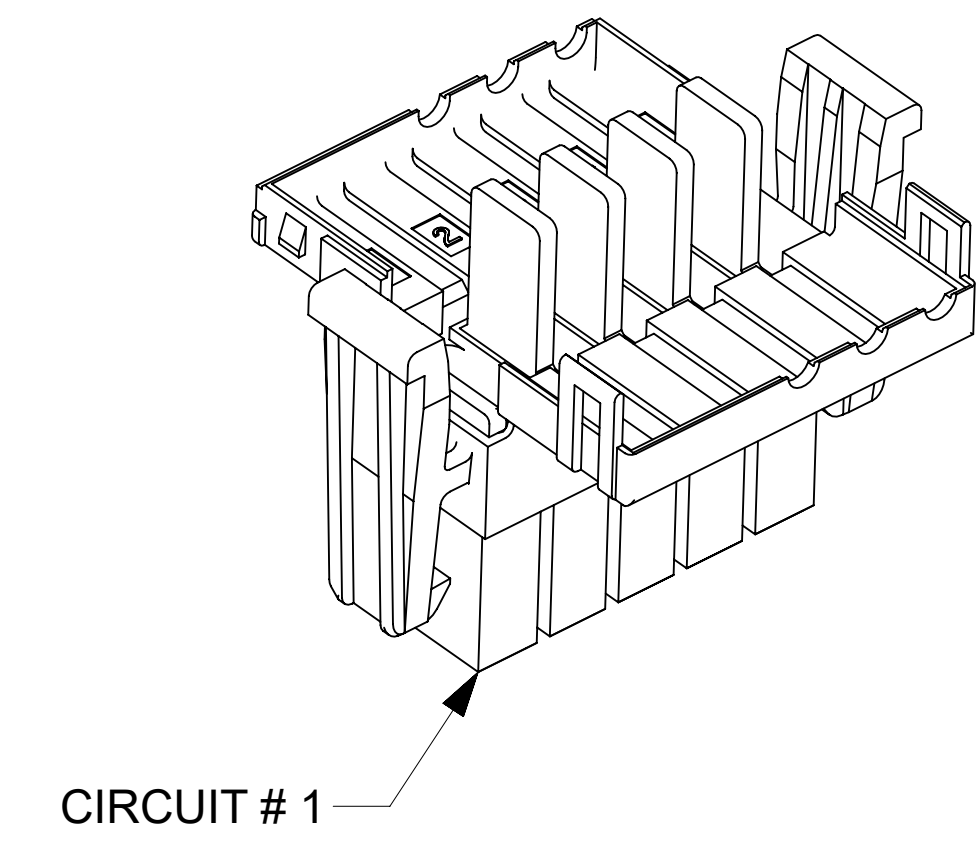
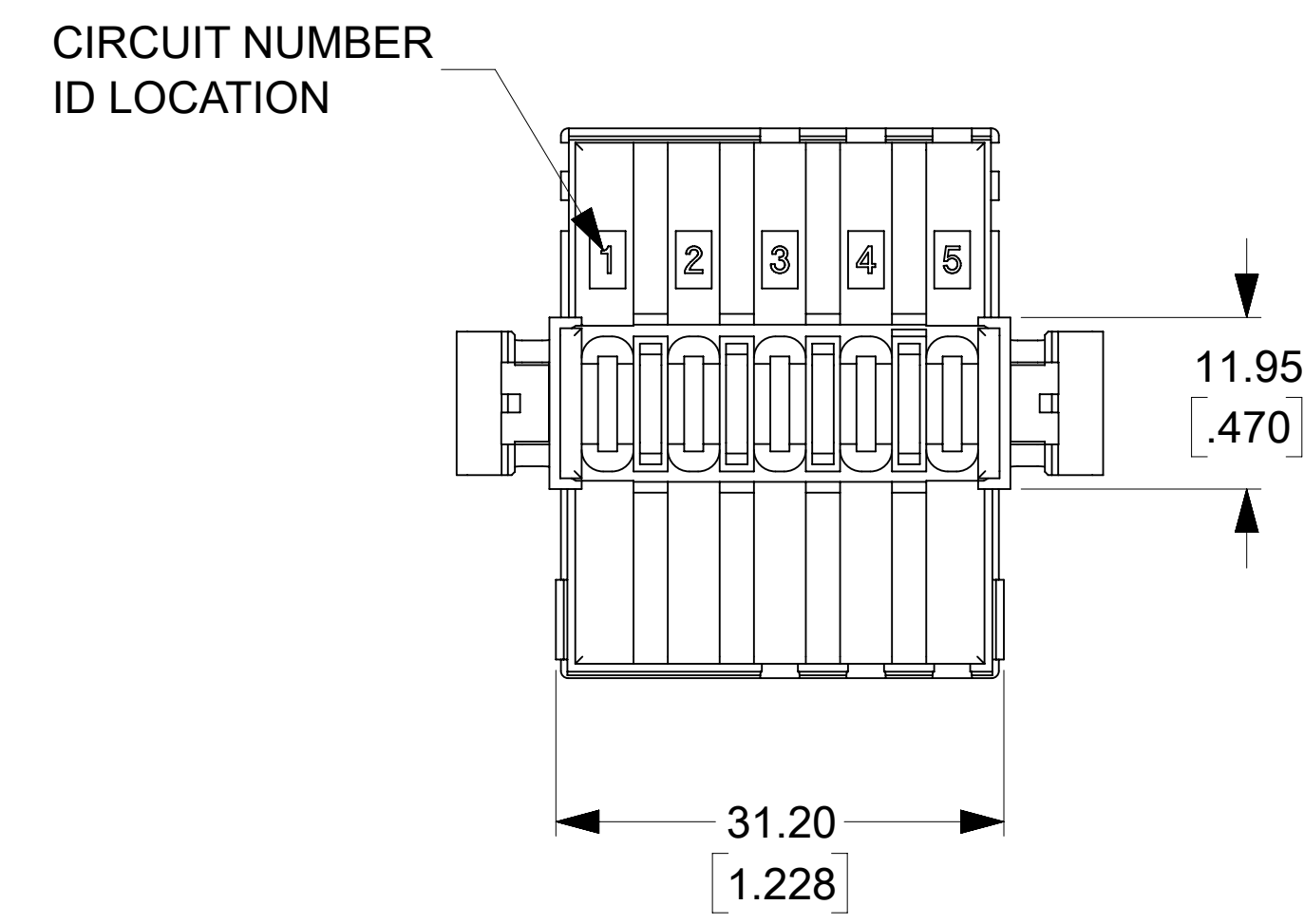


PART NUMBER	NUMBER OF WIRE OPENINGS	CIRCUIT POSITION	WIRE SIZE(S) SEE NOTE 6	WIRE HOLE DIAMETER
46396-5201	3	1, 2, 3	16 AWG	2.34/.092
46396-5202	2	4, 5	10 AWG	4.46/.176
46396-5211	3	1, 2, 3	16 AWG	2.74/.108
46396-5231	5	1, 2, 3, 4, 5	12 AWG	4.00/.158

NOTES:

1. MATERIAL: PBT OR EQUIVALENT, 94V-0. COLOR: BLACK
2. HOUSING ACCEPTS MOLEX TERMINAL SERIES: 44262-4*** (SEE MOLEX DRAWING NUMBER SD-44262-001 FOR TERMINAL OPTIONS)
3. HOUSING AND ASSOCIATED COMPONENTS ARE RoHS COMPLIANT
4. PACKAGED PER MOLEX PACKAGING SPEC: PK-46396-***
5. RECEPTACLE HOUSING MATES WITH PLUG HOUSING 46394-5001 (SEE MOLEX DRAWING NUMBER SD-46394-001 FOR DETAILS)
6. FINAL FIT OF WIRE THRU WIRE OPENINGS WILL DEPEND ON THE OUTSIDE DIAMETER OF THE WIRE.



WIRE OPENING CONFIGURATIONS CONNECTORS SHOWN CLOSED

THIS DRAWING CONTAINS INFORMATION THAT IS PROPRIETARY TO MOLEX ELECTRONIC TECHNOLOGIES, LLC AND SHOULD NOT BE USED WITHOUT WRITTEN PERMISSION											
DIMENSION UNITS MM/INCH		SCALE 2:1		CURRENT REV DESC: OBSOLETE PART NUMBERS AS PER PCN#509451							
GENERAL TOLERANCES (UNLESS SPECIFIED)				EC NO: 686785							
				DRWN: SKANDB 2021/11/02							
4 PLACES ±		±		CHK'D: GGA 2022/02/28				RECEPTACLE HOUSING 5 POSITION WITH LATCH POWER CONNECTOR			
3 PLACES ±		± 0.005		APPR: GGA 2022/02/28							
2 PLACES ±		0.13 ±		INITIAL REVISION:				PRODUCT CUSTOMER DRAWING			
1 PLACE ±		0.25 ±		DRWN: MDATA 2007/10/07				DOCUMENT NUMBER			
0 PLACES ±		±		APPR: APATEL 2007/01/15				DOC TYPE DOC PART REVISION			
ANGULAR TOL ± 0.5 °				DRAFT WHERE APPLICABLE MUST REMAIN WITHIN DIMENSIONS				SD-46396-101 PSD 001 F			
DRAFT WHERE APPLICABLE MUST REMAIN WITHIN DIMENSIONS		THIRD ANGLE PROJECTION		DRAWING		SERIES		MATERIAL NUMBER		CUSTOMER	
				D-SIZE		46396		SEE TABLE		GENERAL MARKET	
										SHEET NUMBER	
										1 OF 1	