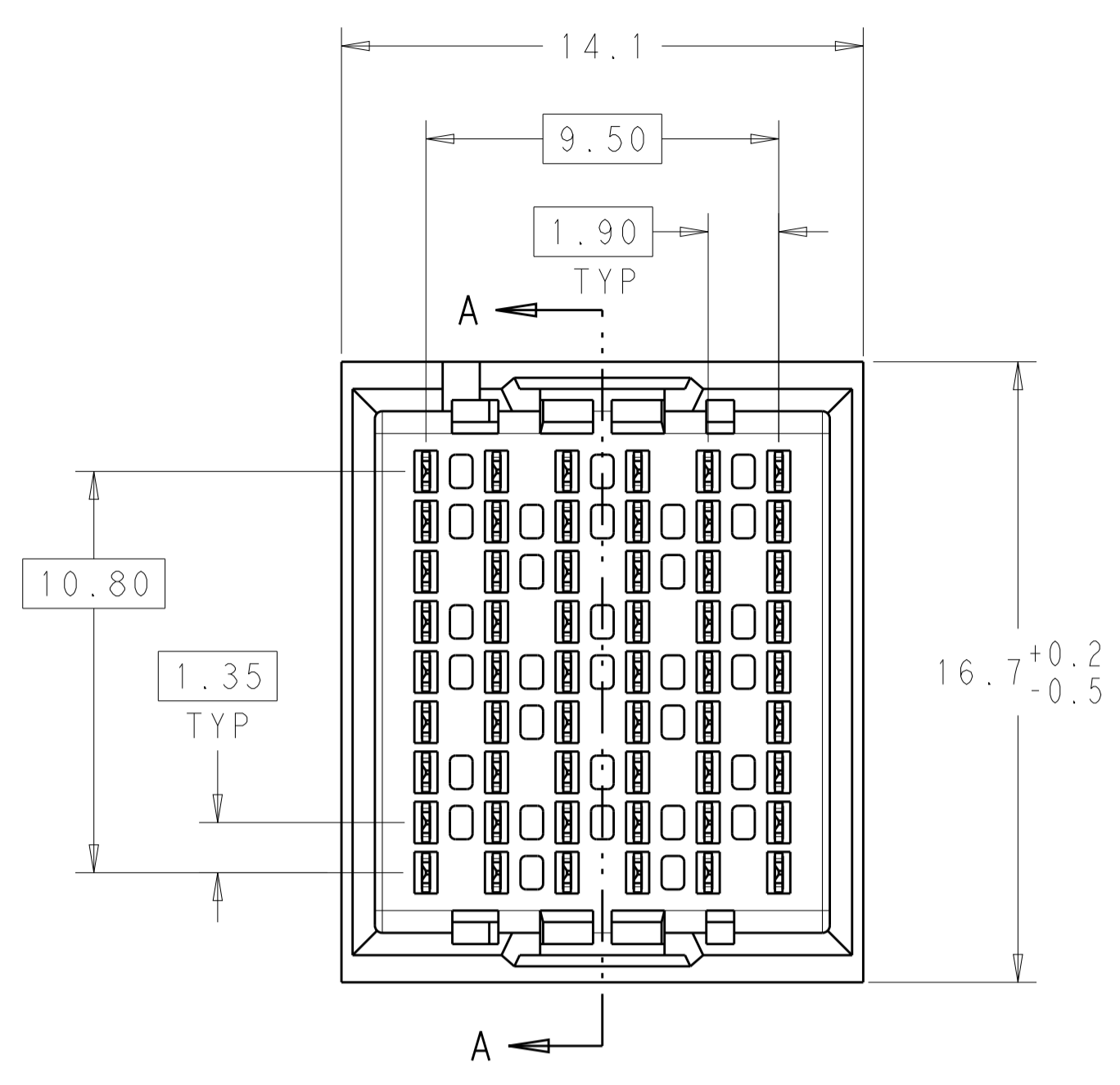
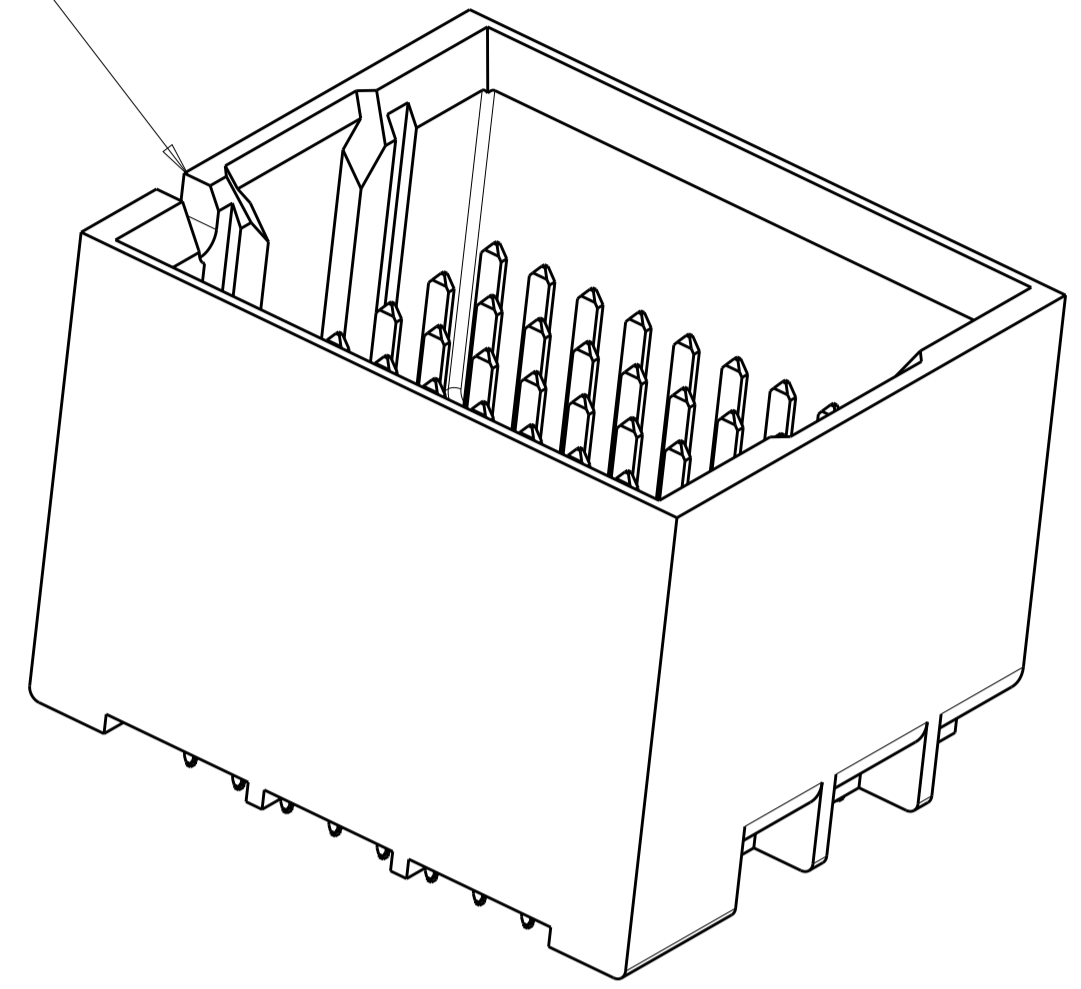


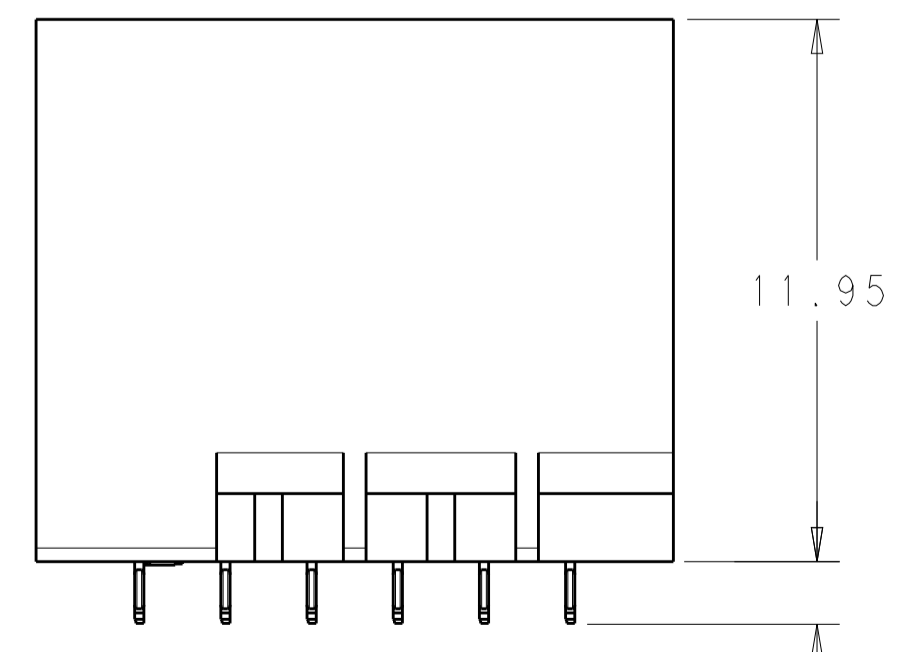
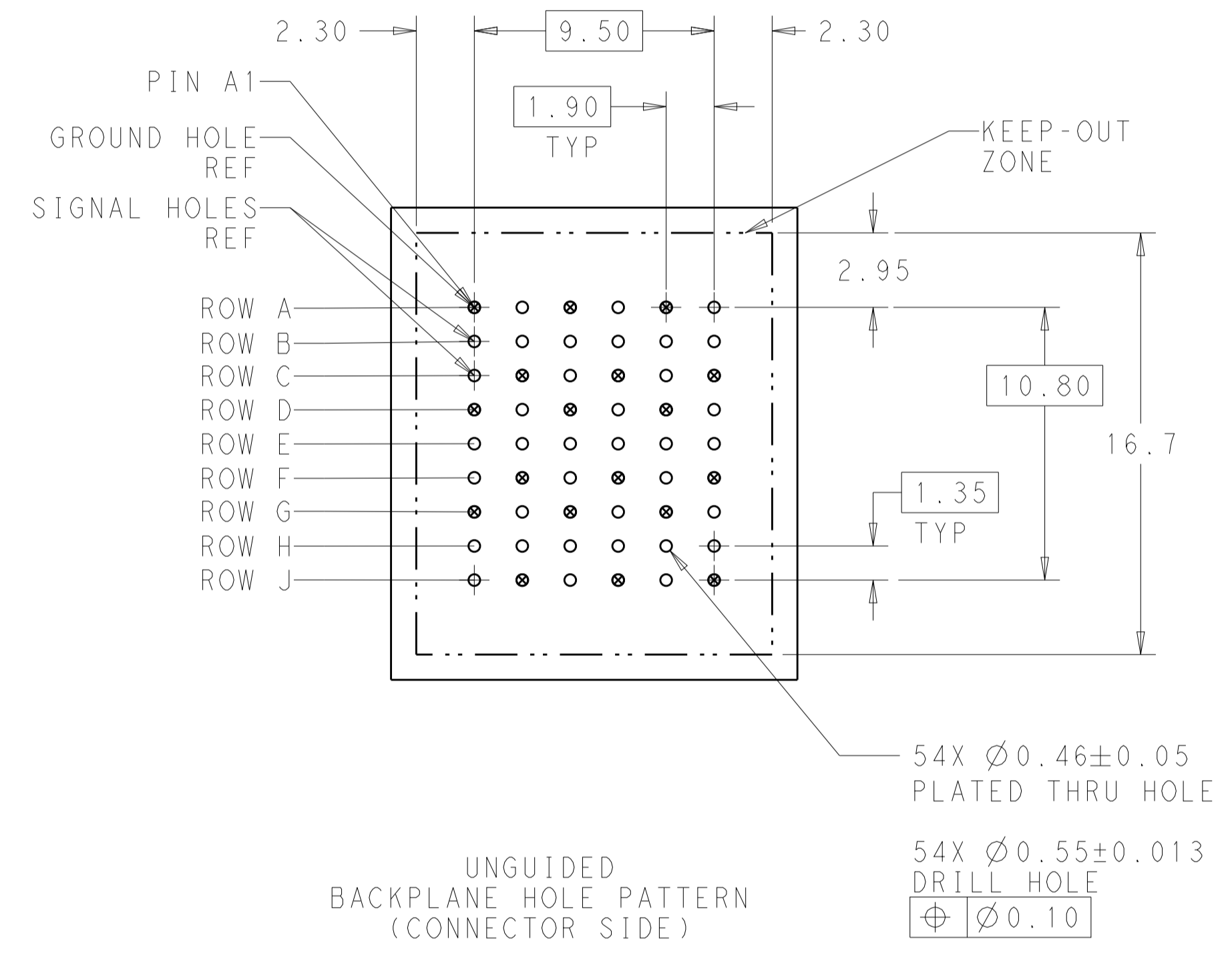
LOC		DIST		REVISIONS			
P	LTN	DESCRIPTION	DATE	DWN	APVD		
A		REVISED PER ECO-15-003242	23MAR2015	AP	DD		



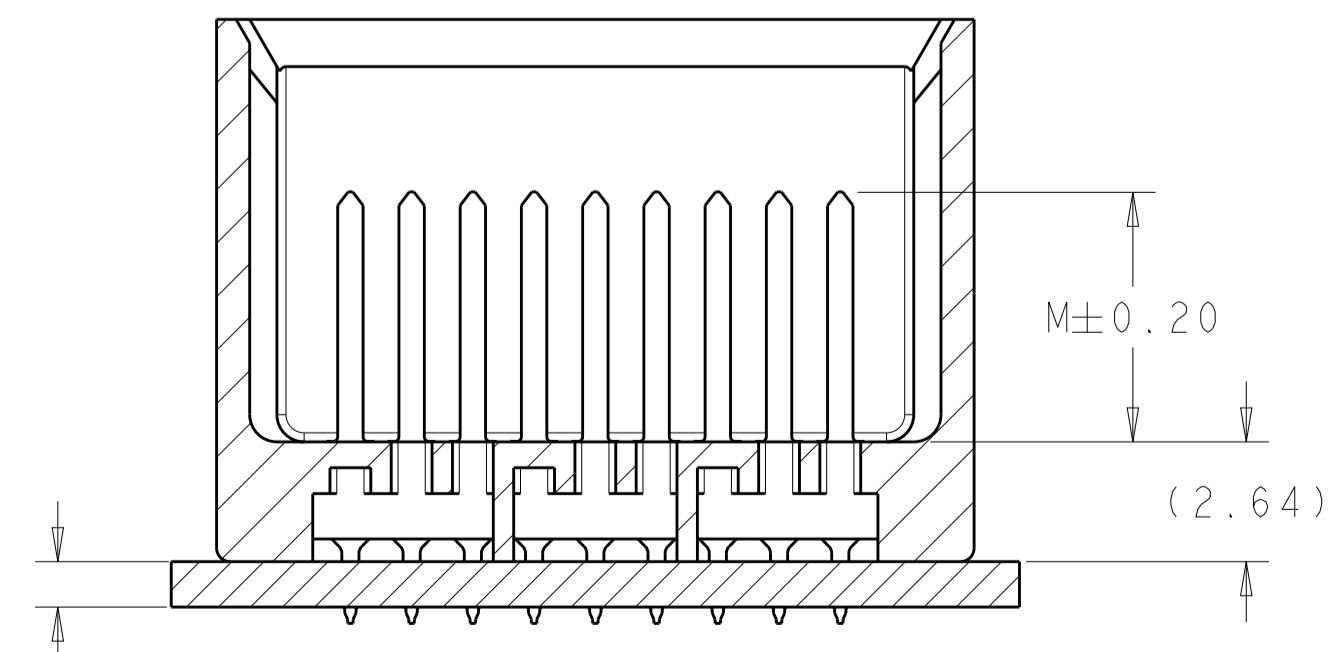
NOTCH DESIGNATES ROW A



- 1 MATERIAL:
HOUSING: LCP, GLASS FILLED, UL94V-0.
TERMINALS: HIGH PERFORMANCE COPPER ALLOY.
- 2 FINISH:
30µ" MIN GOLD IN CONTACT AREA. SELECTIVE TIN ON PCB TAILS, NICKEL OVERALL.
- 3 FINISH:
30µ" MIN GOLD IN CONTACT AREA. SELECTIVE TIN-LEAD ON PCB TAILS, NICKEL OVERALL.



1.4 TAIL LENGTH



SECTION A-A

1.00 MINIMUM BOARD THICKNESS

THIS DRAWING IS A CONTROLLED DOCUMENT.		DWN: KIRAN HOLAL 17NOV2012	TE Connectivity
DIMENSIONS: mm		CHK: D. DIXON 17NOV2012	
TOLERANCES UNLESS OTHERWISE SPECIFIED:		APVD: D. DIXON 17NOV2012	NAME: IMPACT, 3 PAIR, 6 COLUMN, HEADER
0 PLC ±	1 PLC ±0.25	PRODUCT SPEC	UNGUIDED, DUAL END WALL
2 PLC ±0.13	3 PLC ±	APPLICATION SPEC	SIGNAL MODULE, 0.46 PTH
4 PLC ±	ANGLES ±	SIZE: CAGE CODE DRAWING NO	RESTRICTED TO
MATERIAL: SEE TABLE	FINISH: SEE TABLE	WEIGHT: A100779C=2132536	
Customer Drawing		SCALE: 6:1	SHEET 1 OF 2 REV A

THIS DRAWING IS UNPUBLISHED. RELEASED FOR PUBLICATION 20
 © COPYRIGHT 20 BY - ALL RIGHTS RESERVED.

LOC		DIST		REVISIONS			
P	LTN	DESCRIPTION	DATE	DMN	APVD		
-	-	SEE SHEET 1	-	-	-		

FINISH	DIM M	PART NUMBER
△3	5.5	2132536-6
△3	4.9	2132536-5
△3	4.5	2132536-4
△2	5.5	2132536-3
△2	4.9	2132536-2
△2	4.5	2132536-1

REFER TO WWW.TE.COM
 FOR PRODUCT AVAILABILITY

THIS DRAWING IS A CONTROLLED DOCUMENT.		DMN KIRAN HOLAL 17NOV2012	
		CHK D. DIXON 17NOV2012	
DIMENSIONS:	TOLERANCES UNLESS OTHERWISE SPECIFIED:	APVD D. DIXON 17NOV2012	NAME IMPACT, 3 PAIR, 6 COLUMN, HEADER UNGUIDED, DUAL END WALL SIGNAL MODULE, 0.46 PTH
mm	0 PLC ± 1 PLC ±0.25 2 PLC ±0.13 3 PLC ± 4 PLC ±	PRODUCT SPEC	SIZE A100779
	ANGLES ±	APPLICATION SPEC	DRAWING NO C=2132536
MATERIAL	FINISH SEE TABLE	WEIGHT	RESTRICTED TO
		Customer Drawing	SCALE 5:1 SHEET 2 OF 2 REV A