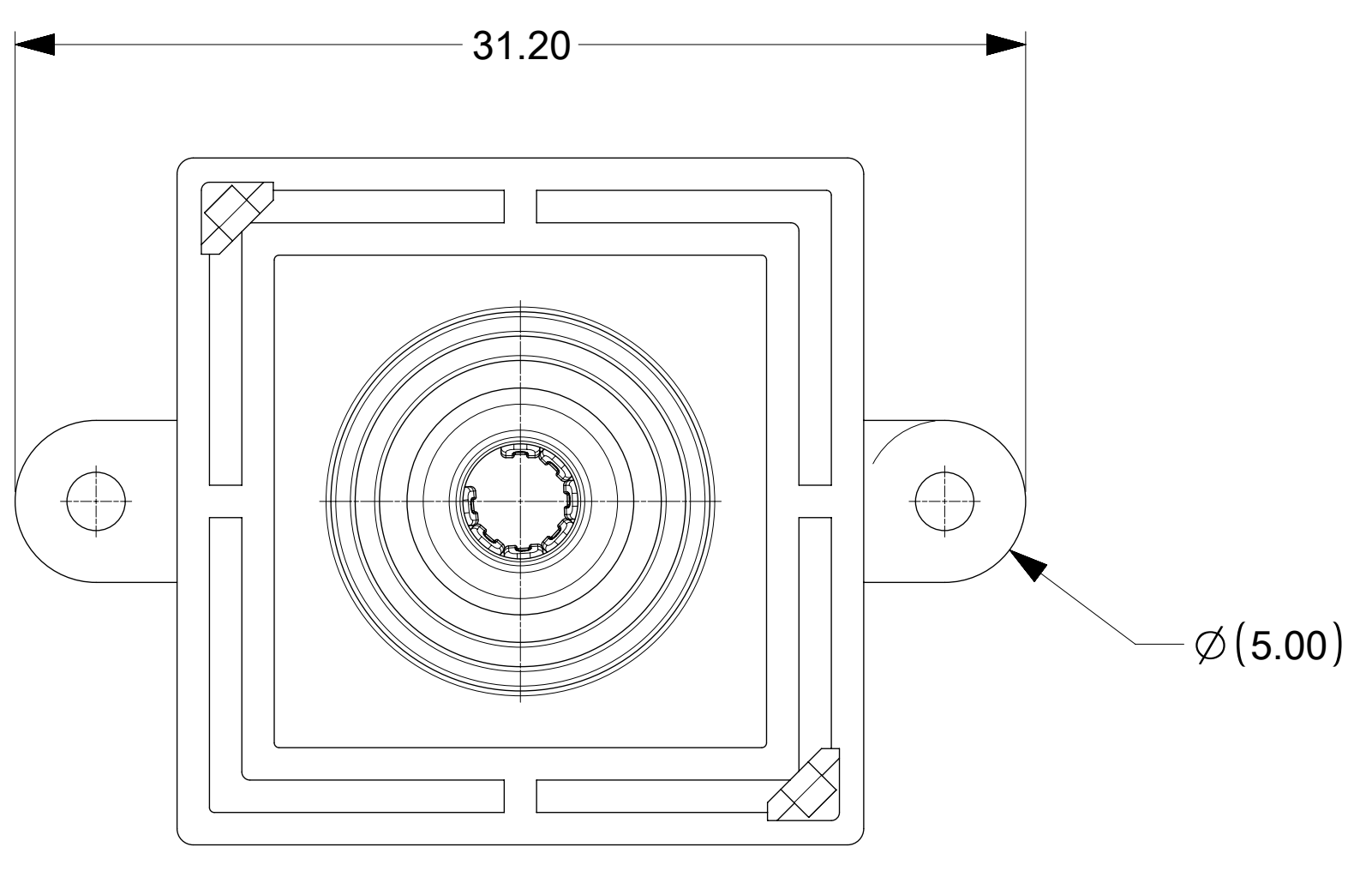
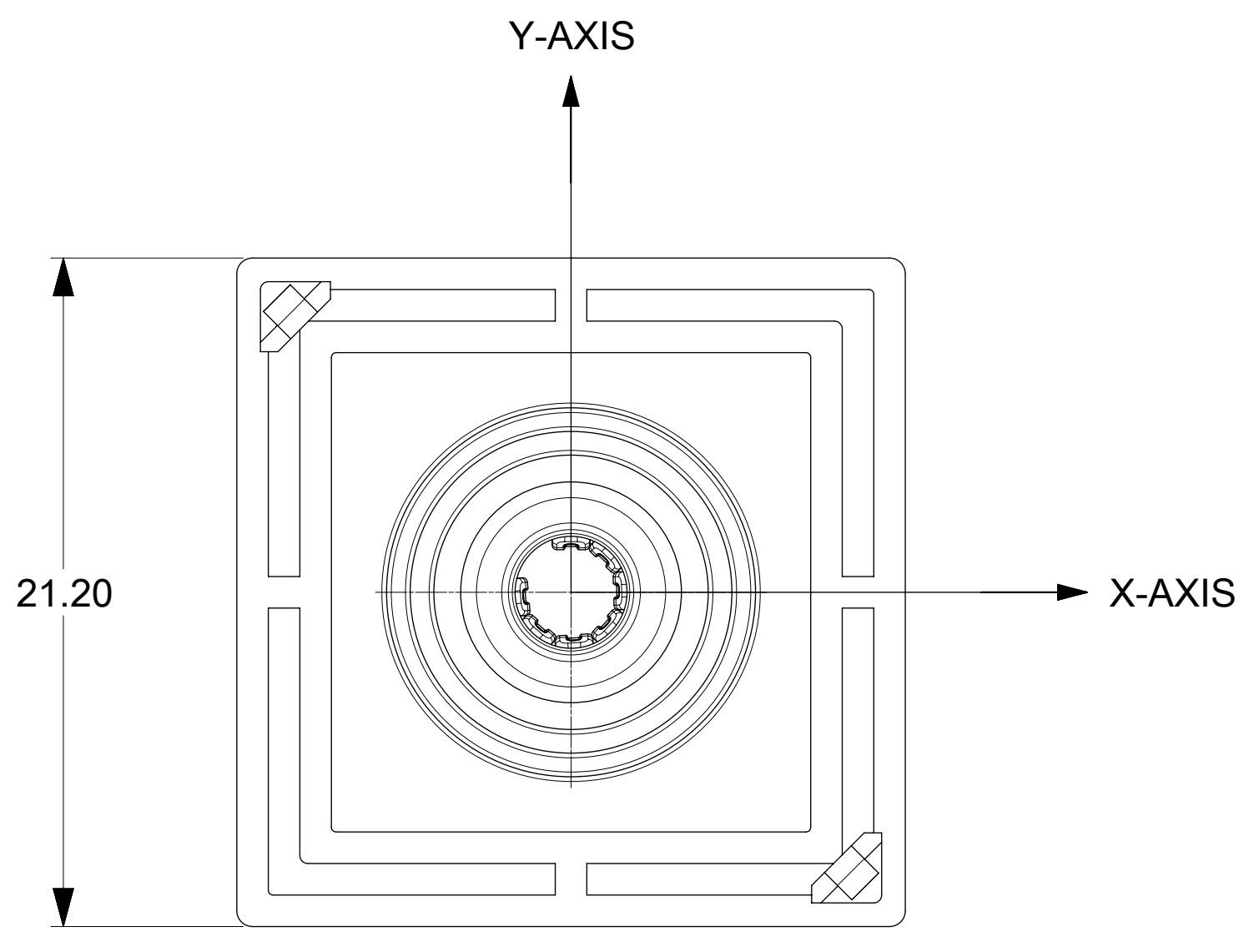
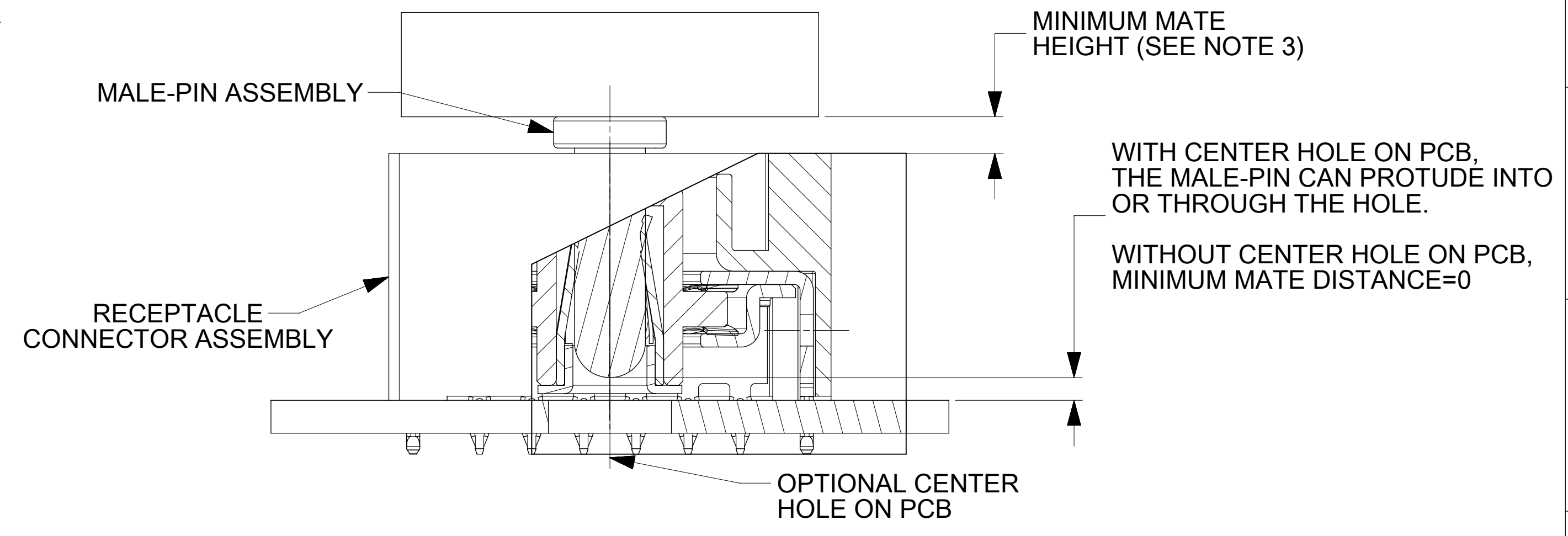


0.05 - 0.30
TO ENSURE COMPLIANT PINS FULLY INSERTION INTO PCB HOLES AND TO AVOID THE UNDER OR OVER PRESSING WHICH MAY AFFECT THE PERFORMANCE



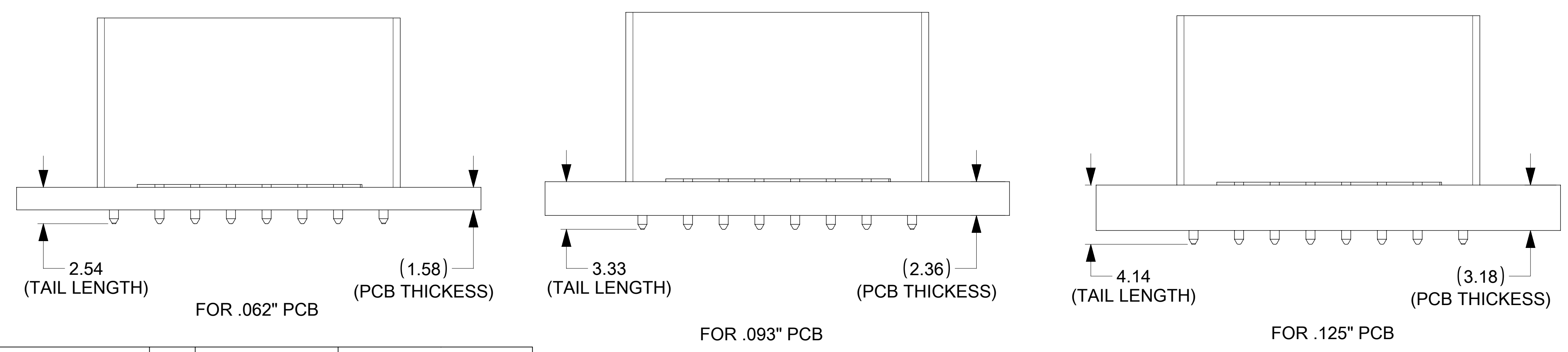
WITH SCREW BOSE (SEE NOTE 13)

MATED WITH MALE-PIN ASSEMBLY

NOTES:

1. MATERIALS:
 - i. TERMINALS & COMPLIANT PINS: COPPER ALLOY
 - ii. POLYMER WITH GLASS FILLED; COLOR:BLACK
 - iii. OTHER COMPONENT: STAINLESS STEEL
2. PLATING:
 - i. CONTACT AREA: GOLD.
 - ii. REST AREA: SILVER WITH TARNISH INHIBITOR
3. MATES WITH THE STANDARD PIN DRAWINGS:
 - i. 3.40MM PRESS FIT DRAWING 20326300034-SD, MIN MATING DISTANCE 5.25MM
 - ii. 3.40MM SMT DRAWING 2032631134-SD, MIN MATING DISTANCE 1.25MM
 - iii. 3.40MM SCREW MOUNT DRAWING 2032638034-SD, MIN MATING DISTANCE 7.90MM
4. PRODUCT SPECIFICATION: 2151130000-PS (REFER THIS FOR PLATED THRU HOLE SIZE)
5. APPLICATION SPECIFICATION: 2151130000-AS
6. PACKAGING SPECIFICATION: 2141320000-PK
7. SILVER COMPONENTS WILL BE SUPPLIED TARNISH FREE BUT MAY TARNISH OVER TIME.
8. MAX. OFFSET MATING IS 1.00MM IN ALL DIRECTION WITHIN X-Y PLAN.
9. RECOMMENDED PCB THICKNESS (REFER TO RESPECTIVE TAIL VIEW) / TABLE IN SHEET 2.
10. MODULE ASSEMBLY IS RoHS COMPLIANT.
11. MEET COSMETIC SPEC PS-45499-002; CLASS B.
12. FOR USE WITH '2-32' TYPE AB SELF THREADING SCREWS. MOLEX SCREW P/N 73726-XXXX OF LENGTH X.XXMM (SCREWS INCLUDED: TBD). MAX TORQUE IS 4IN-LBS.
13. ONLY COMPLIANT PIN WITH PLANE HOUSING (PN: 2141320001) IS TOOLED AND ONLY DESIGN EXIST FOR REST ALL PART NUMBERS. REFER TABLE IN SHEET 2 FOR TOOLING STATUS. CONTACT MOLEX FOR MORE INFORMATION.

SOLDER-TAIL VERSION (NOT TOOLED) (SEE NOTE 13)



FOR .062" PCB (TAIL LENGTH) 2.54 (PCB THICKNESS) (1.58)

FOR .093" PCB (TAIL LENGTH) 3.33 (PCB THICKNESS) (2.36)

FOR .125" PCB (TAIL LENGTH) 4.14 (PCB THICKNESS) (3.18)

THIS DRAWING CONTAINS INFORMATION THAT IS PROPRIETARY TO MOLEX ELECTRONIC TECHNOLOGIES, LLC AND SHOULD NOT BE USED WITHOUT WRITTEN PERMISSION

DIMENSION UNITS	SCALE	CURRENT REV DESC: UPDATED NOTE 6.	
mm	5:1		
GENERAL TOLERANCES (UNLESS SPECIFIED)			
ANGULAR TOL	± 3.0°		
4 PLACES	±	EC NO: 692327	2021/12/16
3 PLACES	±	DRWN: SCS02	2022/01/20
2 PLACES	± 0.38	CHK'D: JJONIAK	2022/01/20
1 PLACE	± 0.25	APPR: JJONIAK	2022/01/20
0 PLACES	±	INITIAL REVISION:	
DRAFT WHERE APPLICABLE MUST REMAIN WITHIN DIMENSIONS		DRWN: SCS02	2021/12/08
THIRD ANGLE PROJECTION		APPR: JJONIAK	2021/12/09
D-DRAWING		SERIES	MATERIAL NUMBER
D-DRAWING		214132	SEE TABLE
D-DRAWING		CUSTOMER	GENERAL MARKET
D-DRAWING		SHEET NUMBER	1 OF 2

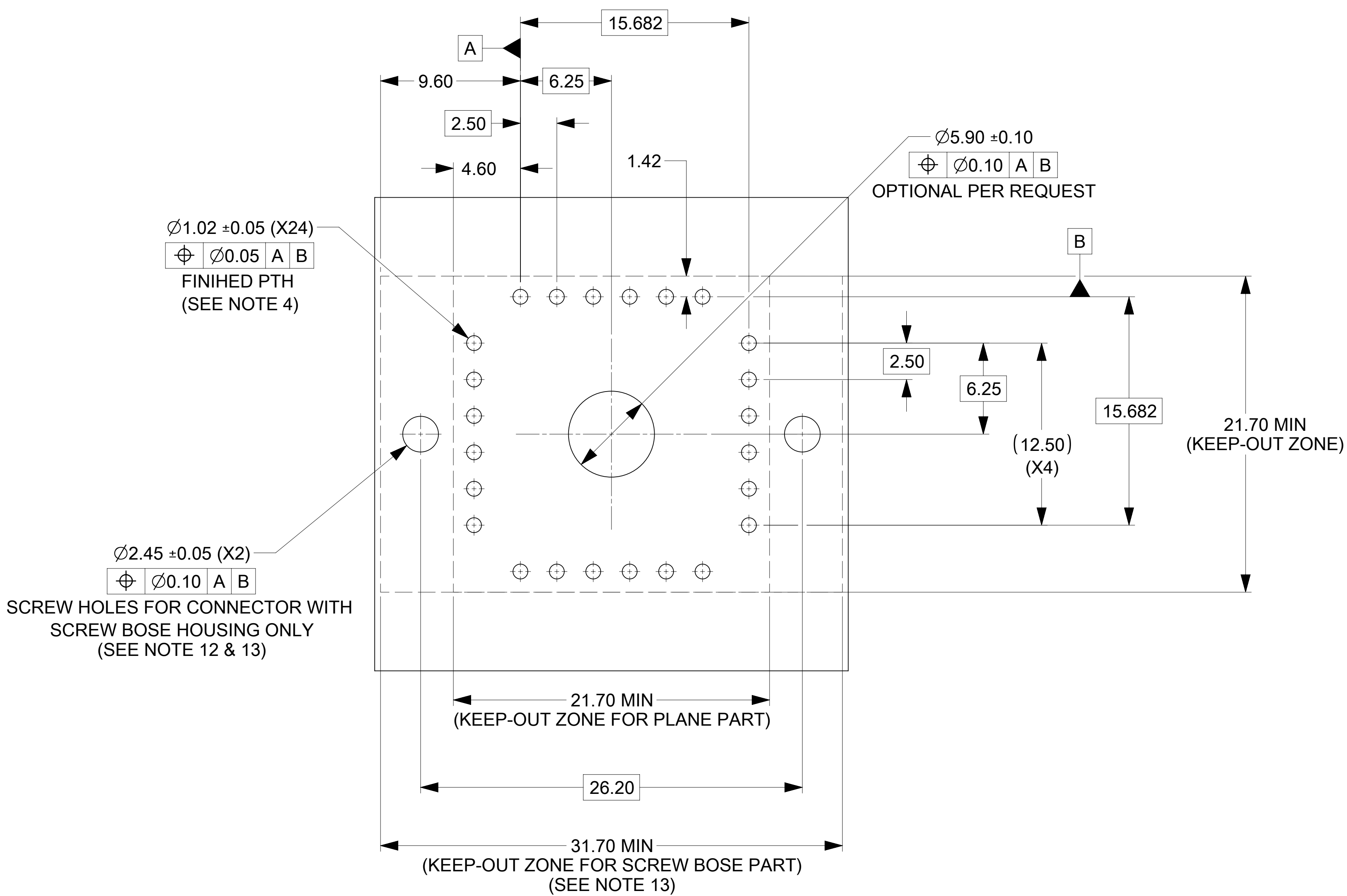


ASSEMBLY, COMPLIANT-PIN & SOLDER-TAIL 3.40MM COEUR SENTIALITY EON, WITH FLOAT

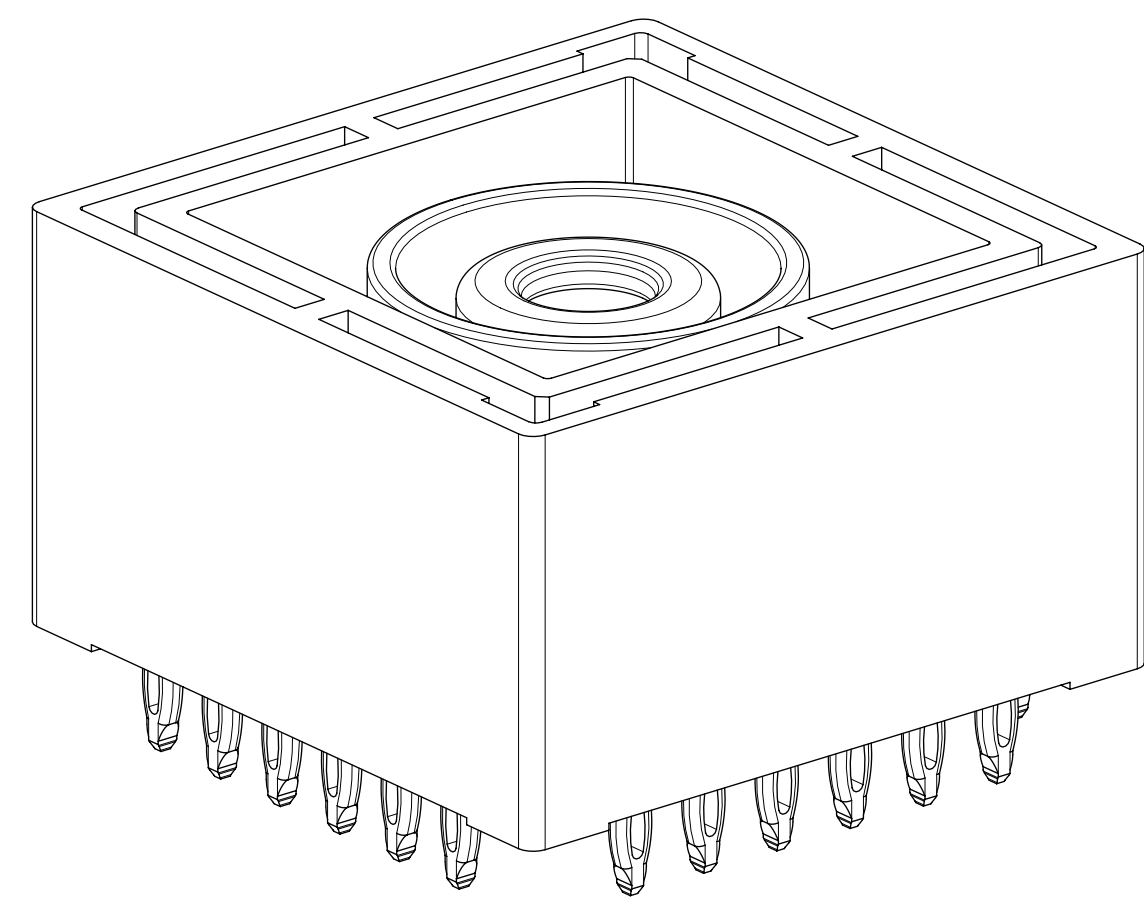
PRODUCT CUSTOMER DRAWING

DOCUMENT NUMBER	DOC TYPE	DOC PART	REVISION
2141320000-SD	PSD	000	A1

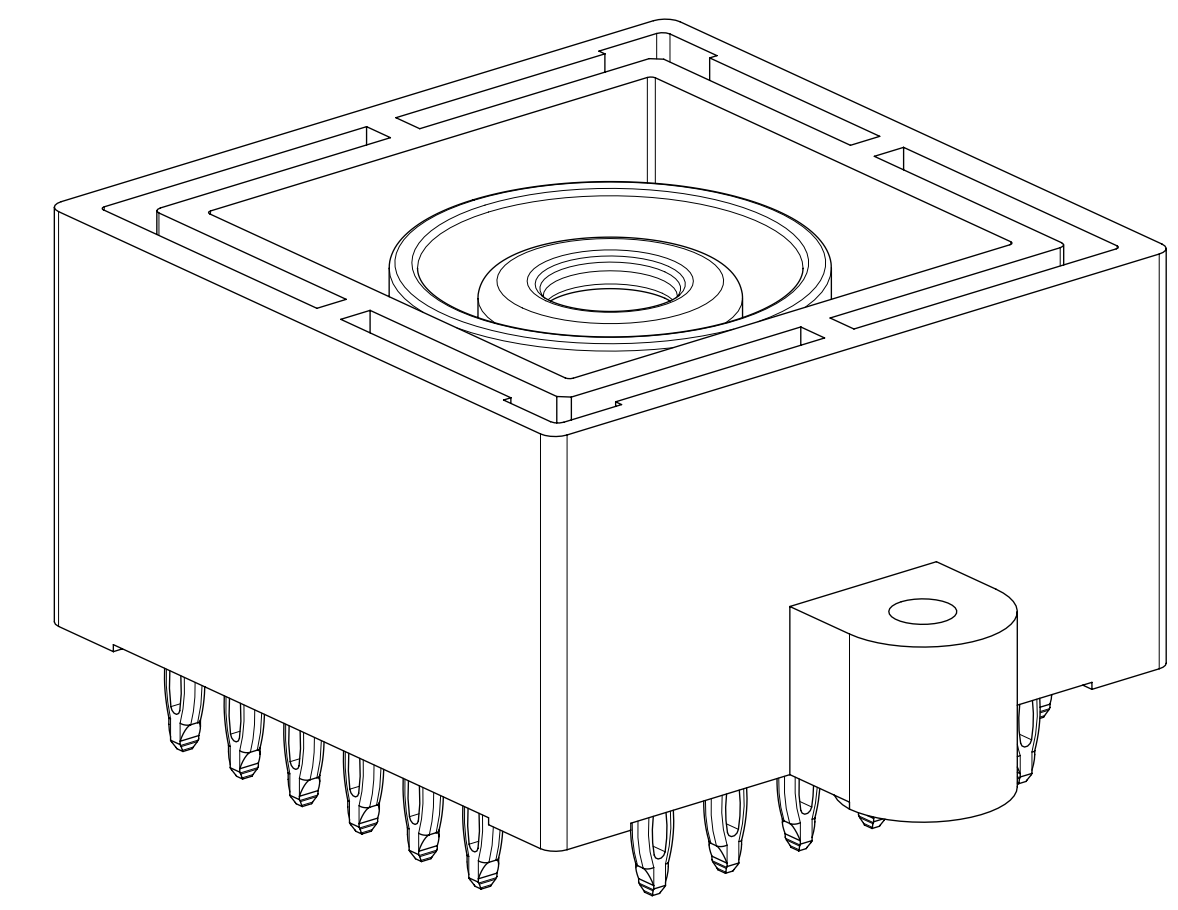
DOCUMENT STATUS	P1	RELEASE DATE	2022/01/20	15:18:11
-----------------	----	--------------	------------	----------



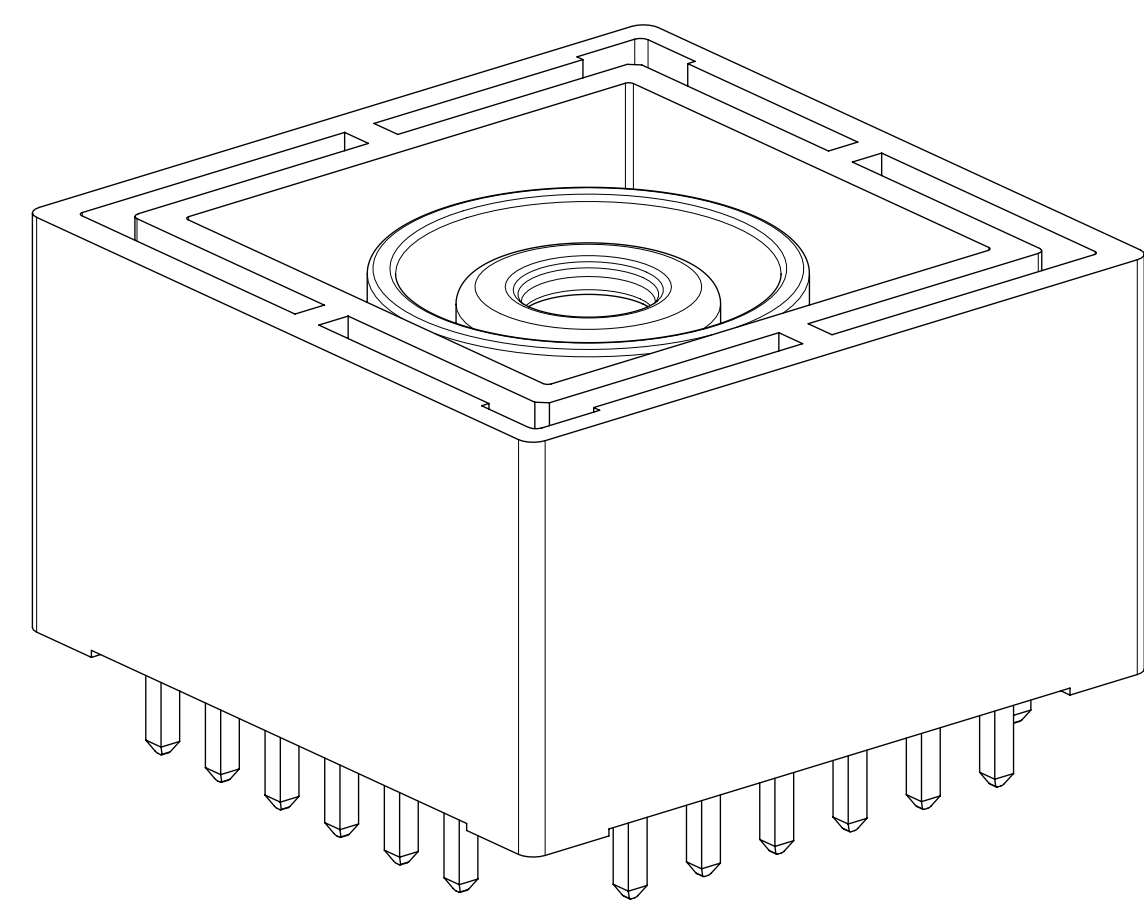
RECOMMENDED PCB LAYOUT



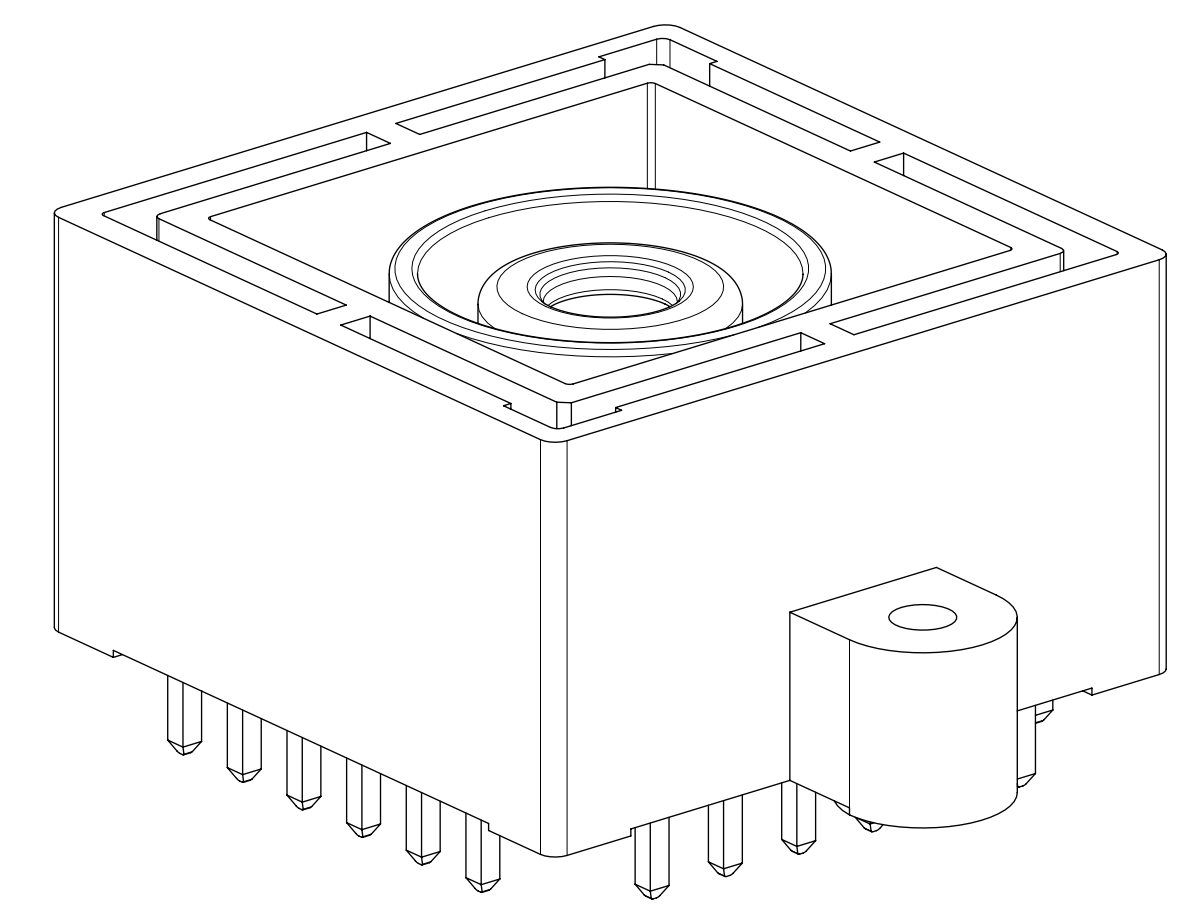
COMPLIANT-PIN ASSEMBLY WITH PLANE HOUSING (PN: 214132-0001)



COMPLIANT-PIN ASSEMBLY WITH SCREW BOSE HOUSING (PN: 214132-0005) (SEE NOTE 13)



SOLDER-TAIL ASSEMBLY WITH PLANE HOUSING (PN: 214132-0002) (SEE NOTE 13)



SOLDER-TAIL ASSEMBLY WITH SCREW BOSE HOUSING (PN: 214132-0006) (SEE NOTE 13)

PART NUMBER	TERMINATION STYLE	SCREW BOSS	PCB THICKNESS	TOOLING STATUS
214132-0001	COMPLIANT PIN (FOR .062" MIN PCB)	NO	1.58MM MIN.	TOOLED
214132-0002	SOLDER TAIL (FOR .062" PCB)		1.58 MM	NOT TOOLED
214132-0003	SOLDER TAIL (FOR .093" PCB)		2.36 MM	
214132-0004	SOLDER TAIL (FOR .125" PCB)		3.18 MM	
214132-0005	COMPLIANT PIN (FOR .062" MIN PCB)	YES	1.58MM MIN.	
214132-0006	SOLDER TAIL (FOR .062" PCB)		1.58 MM	
214132-0007	SOLDER TAIL (FOR .093" PCB)		2.36 MM	
214132-0008	SOLDER TAIL (FOR .125" PCB)		3.18 MM	

THIS DRAWING CONTAINS INFORMATION THAT IS PROPRIETARY TO MOLEX ELECTRONIC TECHNOLOGIES, LLC AND SHOULD NOT BE USED WITHOUT WRITTEN PERMISSION

DIMENSION UNITS	SCALE	CURRENT REV DESC: UPDATED NOTE 6.	
mm	5:1		
GENERAL TOLERANCES (UNLESS SPECIFIED)			
ANGULAR TOL	± 3.0°		
4 PLACES	±	EC NO: 692327	2021/12/16
3 PLACES	±	DRWN: SCS02	2022/01/20
2 PLACES	± 0.38	CHK'D: JJONIAK	2022/01/20
1 PLACE	± 0.25	APPR: JJONIAK	
0 PLACES	±	INITIAL REVISION:	
DRAFT WHERE APPLICABLE MUST REMAIN WITHIN DIMENSIONS		DRWN: SCS02	2021/12/08
THIRD ANGLE PROJECTION		APPR: JJONIAK	2021/12/09
DRAWING	SERIES	MATERIAL NUMBER	CUSTOMER
D-SIZE	214132	SEE TABLE	GENERAL MARKET
DOCUMENT NUMBER		DOC TYPE	DOC PART
2141320000-SD		PSD	000
REVISION		SHEET NUMBER	
A1		2 OF 2	