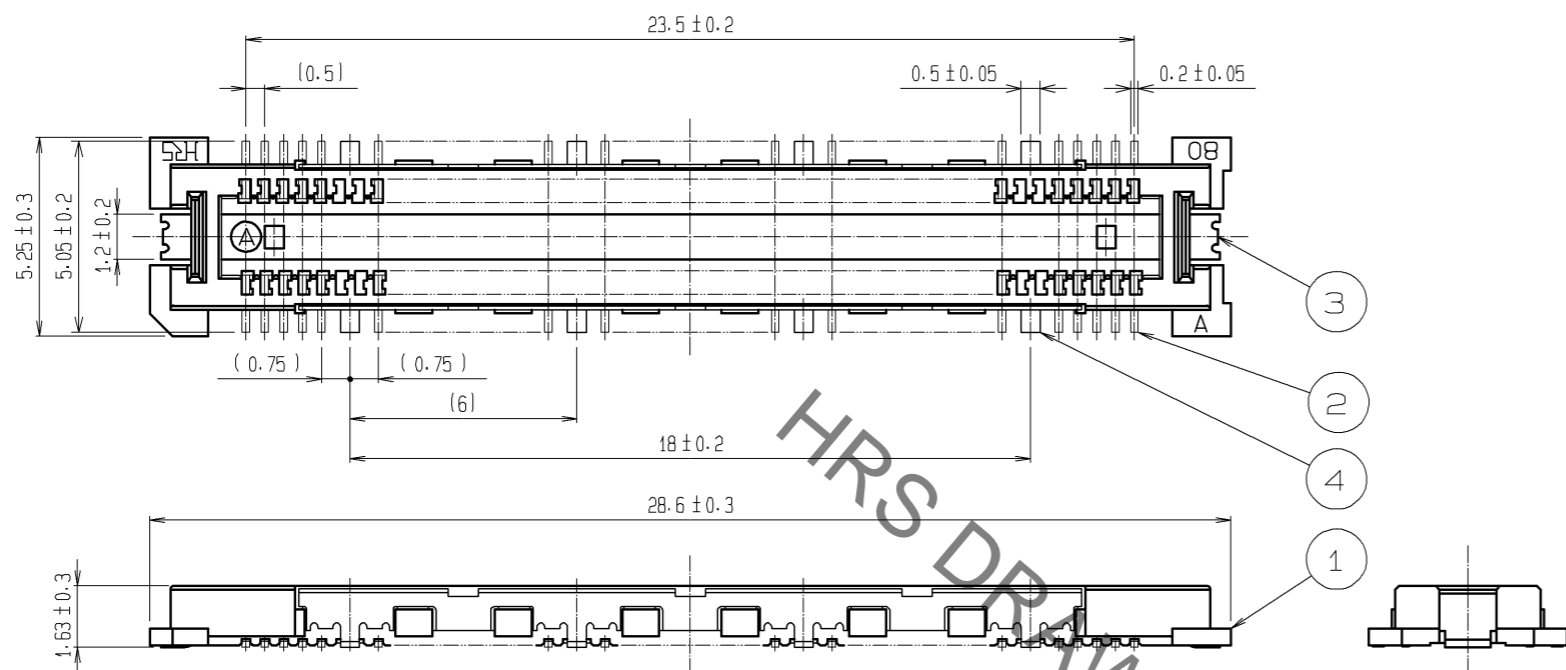
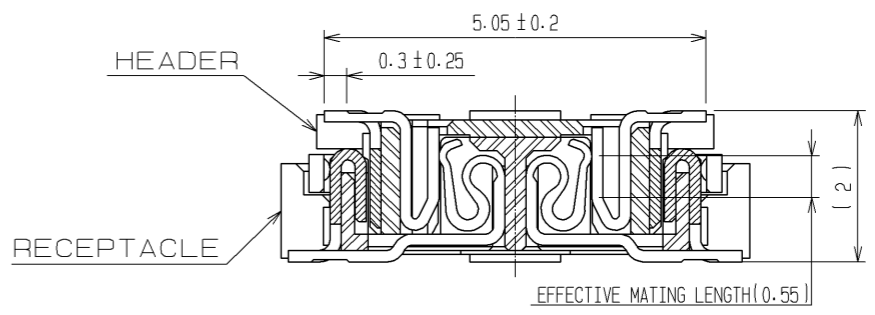


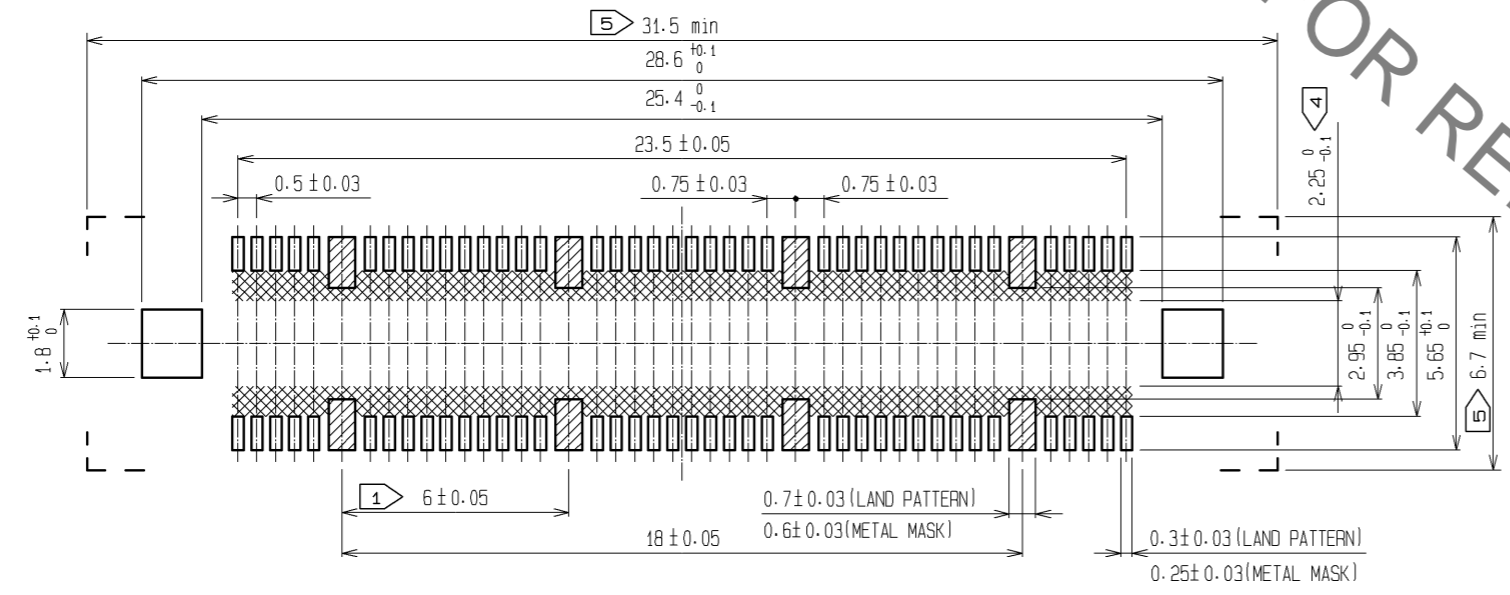
May.1.2023 Copyright 2023 HIROSE ELECTRIC CO., LTD. All Rights Reserved.
In case of consideration for using Automotive equipment / device which demand high reliability, kindly contact our sales window correspondents.



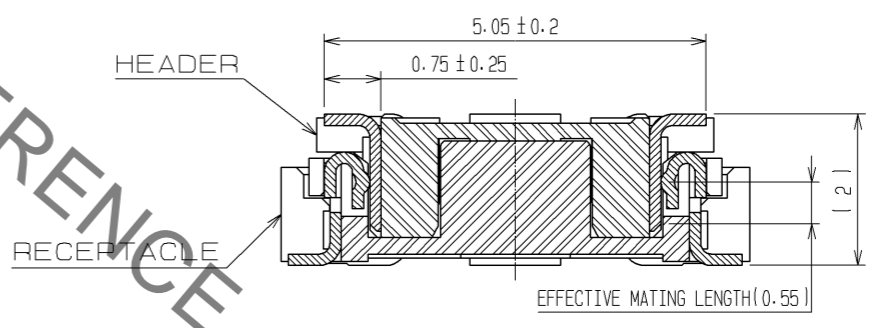
SIGNAL PORTION CROSS SECTION (10 : 1)



RECOMMENDED LAND PATTERN DIMENSION OF PCB



GROUND PORTION CROSS SECTION (10 : 1)

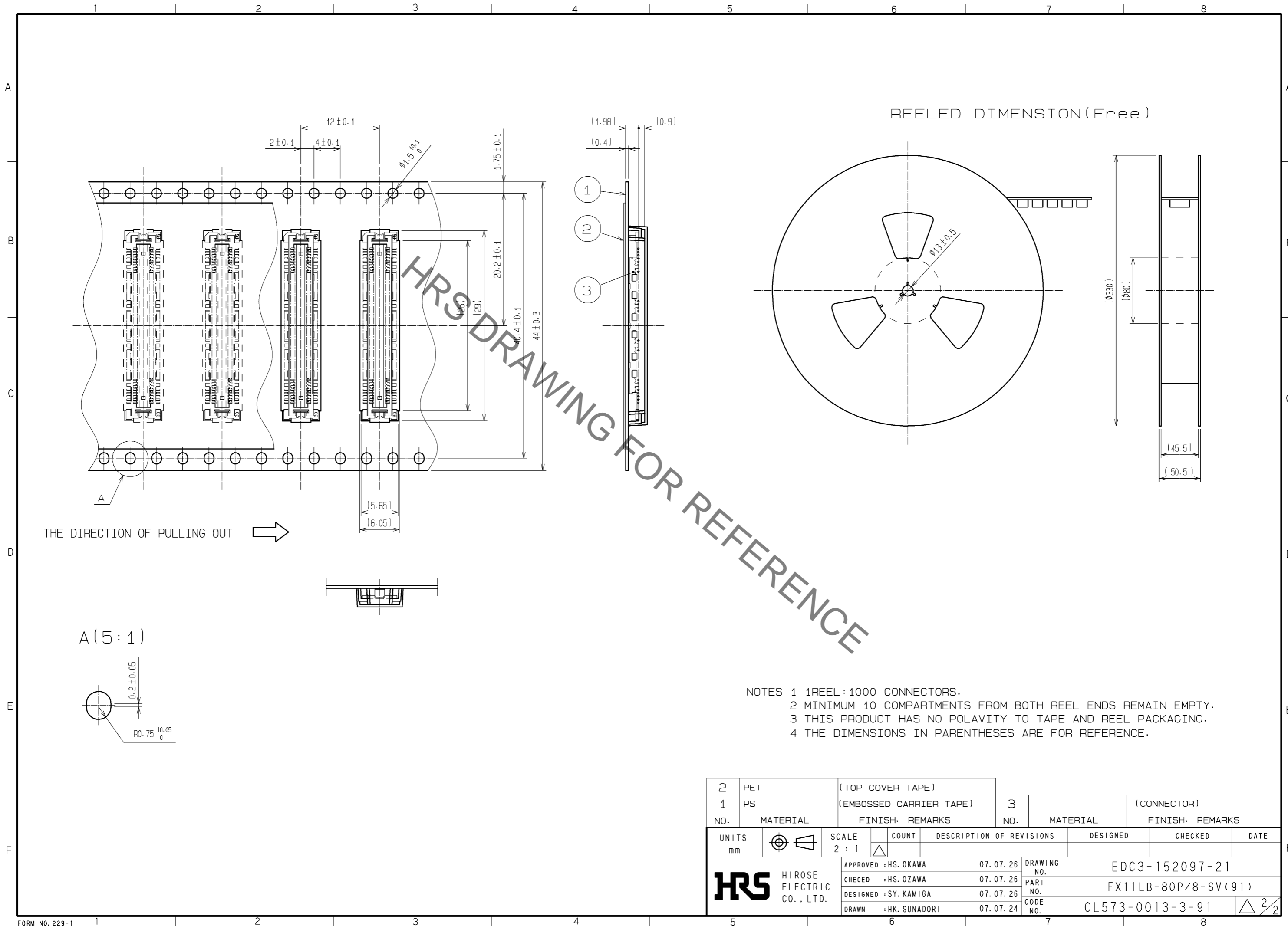


- NOTES
- ① 8 HATCHED PARTS: GROUND CIRCUIT.
 - ② SMT LEAD-COPLANARITY: 0.1 MAX.
 - ③ THIS PRODUCT HAS NO POLARITY TO PATTERN FOR MOUNTING.
 - ④ MAKE SURE WIDTH OF PATTERN IS WITHIN THAT OF LAND, OR LEAD MAY TOUCH PATTERN. (THIS APPLIES TO HATCHED AREA.)
 - ⑤ DO NOT MOUNT OTHER DEVICES ONTO AREA, OR MATING PAIR CANNOT BE MATED.
 - ⑥ TO BE EMBOSSED CARRIER TAPED AS SPECIFIED IN SHEET 2.
 - ⑦ THE DIMENSIONS IN PARENTHESES ARE FOR REFERENCE.

1	LCP	BEIGE	UL94V-0	4	PHOSPHOR BRONZE	TIN PLATING
NO.	MATERIAL	FINISH	REMARKS	NO.	MATERIAL	FINISH
				3	PHOSPHOR BRONZE	TIN PLATING
				2	COPPER ALLOY	CONTACT AREA : GOLD 0.1μm min.
			LEAD AREA : GOLD FLASH			
			UNDER PLATING : NICKEL 1μm min.			

UNITS		SCALE	COUNT	DESCRIPTION OF REVISIONS	DESIGNED	CHECKED	DATE
mm		5 : 1	△				
HRS HIROSE ELECTRIC CO., LTD.		APPROVED : HS. OKAWA	07.07.26	DRAWING NO.		EDC3-152097-21	
		CHECED : HS. OZAWA	07.07.26	PART NO.		FX11LB-80P/8-SV(91)	
		DESIGNED : SY. KAMIGA	07.07.26	CODE NO.		CL573-0013-3-91	
		DRAWN : HK. SUNADORI	07.07.24			△ 1/2	

May.1.2023 Copyright 2023 HIROSE ELECTRIC CO., LTD. All Rights Reserved.
In case of consideration for using Automotive equipment / device which demand high reliability, kindly contact our sales window correspondents.



- NOTES 1 REEL : 1000 CONNECTORS.
2 MINIMUM 10 COMPARTMENTS FROM BOTH REEL ENDS REMAIN EMPTY.
3 THIS PRODUCT HAS NO POLARITY TO TAPE AND REEL PACKAGING.
4 THE DIMENSIONS IN PARENTHESES ARE FOR REFERENCE.

2	PET	(TOP COVER TAPE)					
1	PS	(EMBOSSED CARRIER TAPE)	3		(CONNECTOR)		
NO.	MATERIAL	FINISH, REMARKS	NO.	MATERIAL	FINISH, REMARKS		
UNITS mm		SCALE 2 : 1		DESCRIPTION OF REVISIONS	DESIGNED	CHECKED	DATE
HRS HIROSE ELECTRIC CO., LTD.		APPROVED : HS. OKAWA	07.07.26	DRAWING NO.	EDC3-152097-21		
		CHECED : HS. OZAWA	07.07.26	PART NO.	FX11LB-80P/8-SV(91)		
		DESIGNED : SY. KAMIGA	07.07.26	CODE NO.	CL573-0013-3-91		
		DRAWN : HK. SUNADORI	07.07.24				