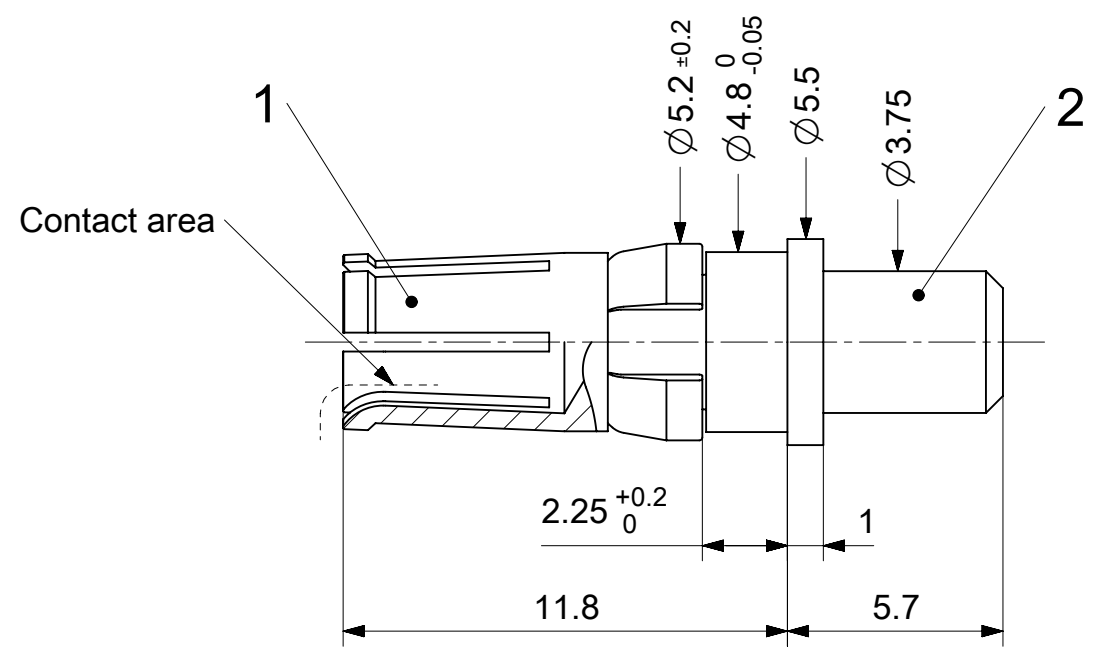


2:1



RoHS compliant
by exemption

1731120086	FMP016S104	104
1731120607	FMP016S105	105
1731120159	FMP016S203	203
Material Number	FCT Part Number	Material + Finish See extra sheet

UNLESS OTHERWISE SPECIFIED DIMENSIONS FOR REFERENCE ONLY				REPLACEMENT FOR DOCUMENT NUMBER: FMP016S			
THIS DRAWING CONTAINS INFORMATION THAT IS PROPRIETARY TO MOLEX ELECTRONIC TECHNOLOGIES, LLC AND SHOULD NOT BE USED WITHOUT WRITTEN PERMISSION							
FUNCTIONAL SYMBOLS	THIS DRAWING CONTAINS INFORMATION THAT IS PROPRIETARY TO MOLEX ELECTRONIC TECHNOLOGIES, LLC AND SHOULD NOT BE USED WITHOUT WRITTEN PERMISSION	DIMENSION UNITS	SCALE	CURRENT REV DESC:			
	$\frac{F}{A} = 0$	mm	5:1	EC NO: 686935			
	$\frac{F}{E} = 0$	GENERAL TOLERANCES (UNLESS SPECIFIED)		DRWN: FVETTER 2021/11/29			
	$\frac{F}{P} = 0$	ANGULAR TOL ± °		CHK'D: MTEUBEL 2021/11/30			
	DIVISIONAL SYMBOLS	4 PLACES	±	APPR: MTEUBEL 2021/11/30			
	3 PLACES	±	INITIAL REVISION:				
	2 PLACES	±	DRWN: VLOKESHA 2021/04/01				
	1 PLACE	±	APPR: MTEUBEL 2021/11/25				
	0 PLACES	±	DOCUMENT NUMBER				
DRAFT WHERE APPLICABLE MUST REMAIN WITHIN DIMENSIONS			FIRST ANGLE PROJECTION	DRAWING	SERIES	MATERIAL NUMBER	CUSTOMER
				A4-SIZE	173112	1731120086	GENERAL MARKET
				DOC TYPE		DOC PART	REVISION
				PSD		000	A1
				SHEET NUMBER		1 OF 1	