
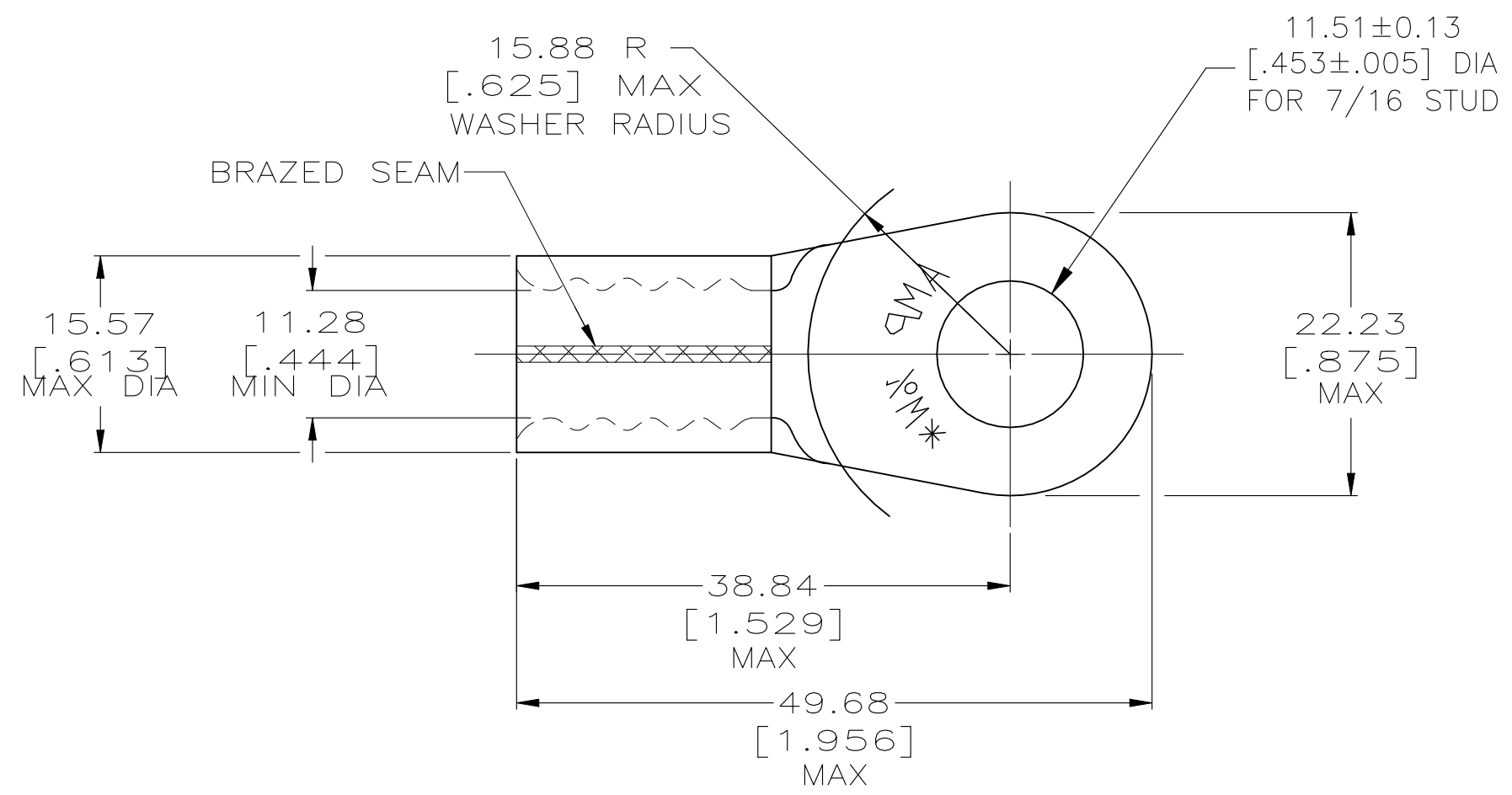


| REVISIONS | | | | |
|-----------|-----|-----------------------|-----------|--------|
| P | LTR | DESCRIPTION | DATE | APVD |
| | E2 | REV PER ECN-22-150900 | 28APR2022 | RK CSD |


| | |
|------------------------------|--|
| AMP WIRE RANGE |  E13288 Listed |
| 1/0 AWG SOLID OR STRANDED | 1/0 AWG STRANDED |

| |
|---|
|  LR7189 Certified |
| 1/0 AWG SOLID OR STRANDED |

1 TIN PL 0.00254 [.000100] MIN THK
PER ASTM B-545



| | | |
|--------|--|----------|
| 1 | COPPER ASTM B-152 1.78±0.08 [.070±.003] ANNEALED | 36918 |
| FINISH | MATERIAL | PART NO. |

| | | | | | | |
|---|--|------------------------------|---|---|-----------------------|------------|
| MAX RECOMMENDED OPERATING TEMPERATURE: 170°C MAX | THIS DRAWING IS A CONTROLLED DOCUMENT. | | DWN DK SCHRUM 7/2/91 |  TE Connectivity | | |
| | VOLTAGE RATING: N/A | DIMENSIONS: MM [INCHES] | TOLERANCES UNLESS OTHERWISE SPECIFIED: | | | |
| CIRCULAR MIL AREA: 42.4-60.6mm² [83,700-119,500] | MATERIAL SEE TABLE | FINISH SEE TABLE | APVD AJ KAUFMAN 8/16/91 | NAME TERMINAL, RING TONGUE, SOLISTRAND, WIRE SIZE: 50.0mm² [1/0] AWG | | |
| | | | 0 PLC ± - 1 PLC ± - 2 PLC ± 0.20 [.008] 3 PLC ± - 4 PLC ± - ANGLES ± - | PRODUCT SPEC - | APPLICATION SPEC - | SIZE A3 |
| CUSTOMER DRAWING | | | WEIGHT - | SCALE 2:1 | SHEET 1 OF 1 | REV E2 |