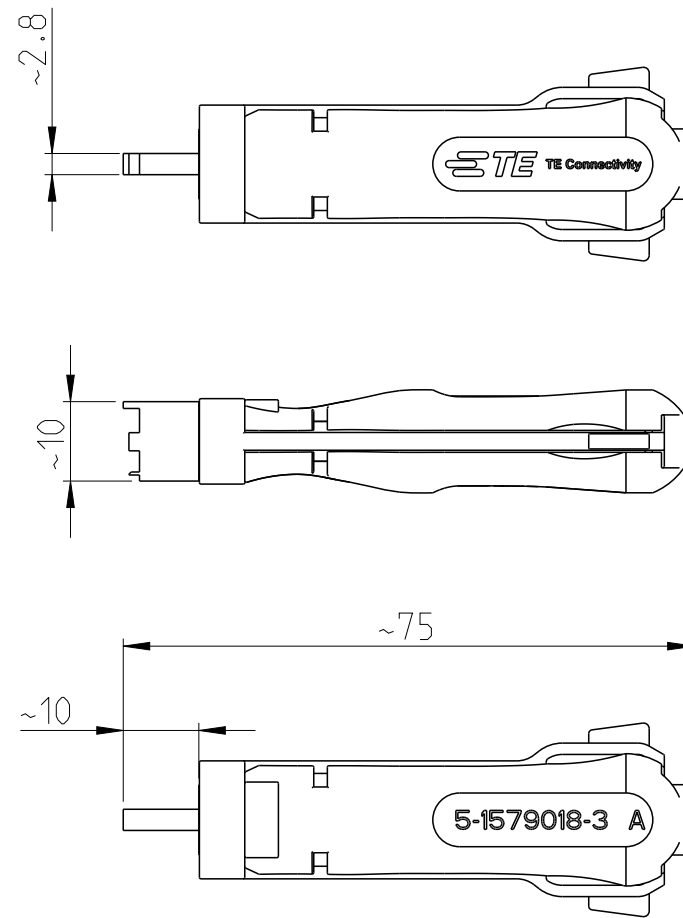
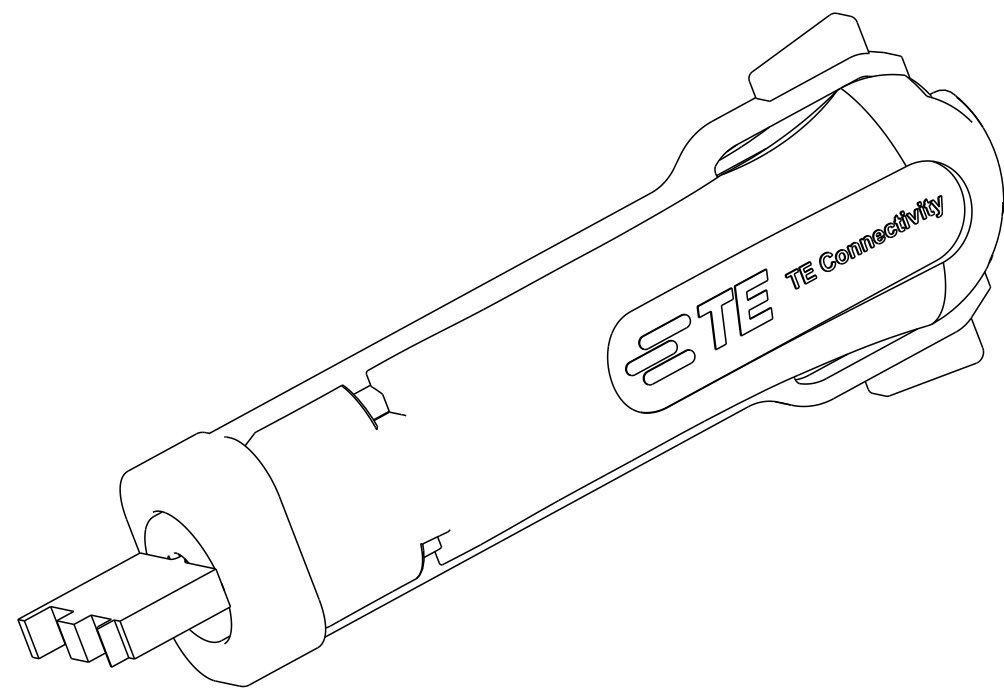


REVISIONS

P	LTR	DESCRIPTION	DATE	DWN	APVD
	A	INITIAL REVISION	29JUN2009	LS	SA
	A1	ECR-20-008954	26JUN2020	PNT	GS

2:1



APPLICATION RANGE / Anwendungsbereich:

FOR MPQ-CONTACT: 968678-2, 968074-2,  
9688075-2  
FOR SOCKET HOUSING : 1379914

THIS DRAWING IS A CONTROLLED DOCUMENT.		DWN L. SANDHU 29JUN2009			
DIMENSIONS: mm		CHK S. SAMSTAG 23OCT2009			
TOLERANCES UNLESS OTHERWISE SPECIFIED:		APVD S. SAMSTAG 23OCT2009	NAME EXTRACTION TOOL Entriegelungswerkzeug		
		PRODUCT SPEC	RESTRICTED TO		
MATERIAL		APPLICATION SPEC	SIZE A3	CAGE CODE 00779	DRAWING NO 5-1579018-3
FINISH		WEIGHT 0.013	SCALE 1:1		
-		CUSTOMER DRAWING	SHEET 1 OF 1		
			REV A1		