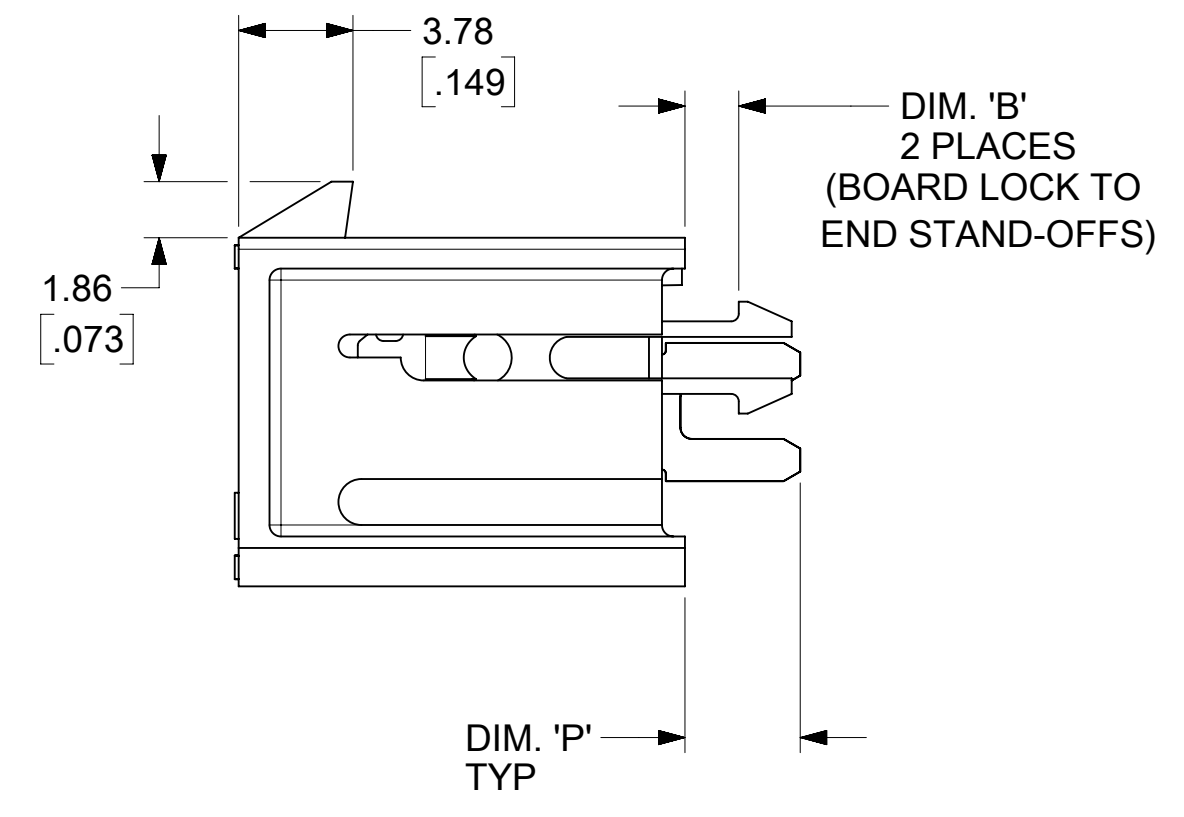
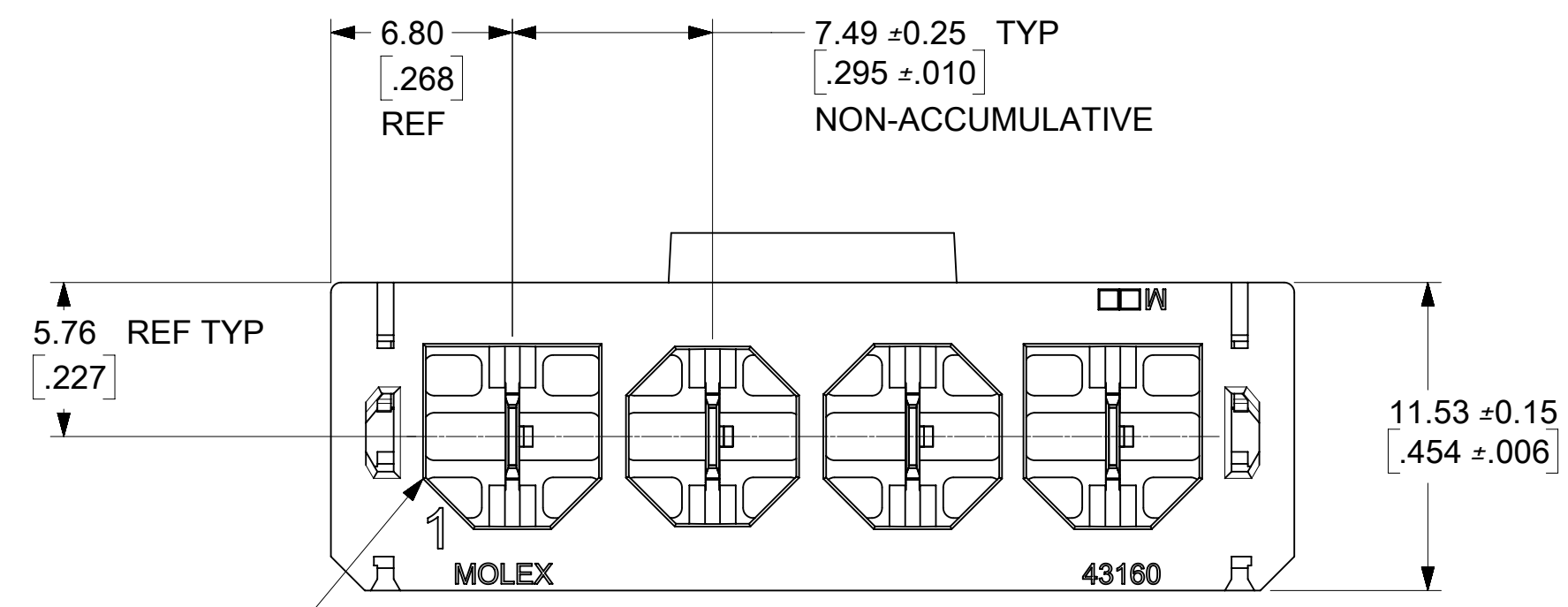
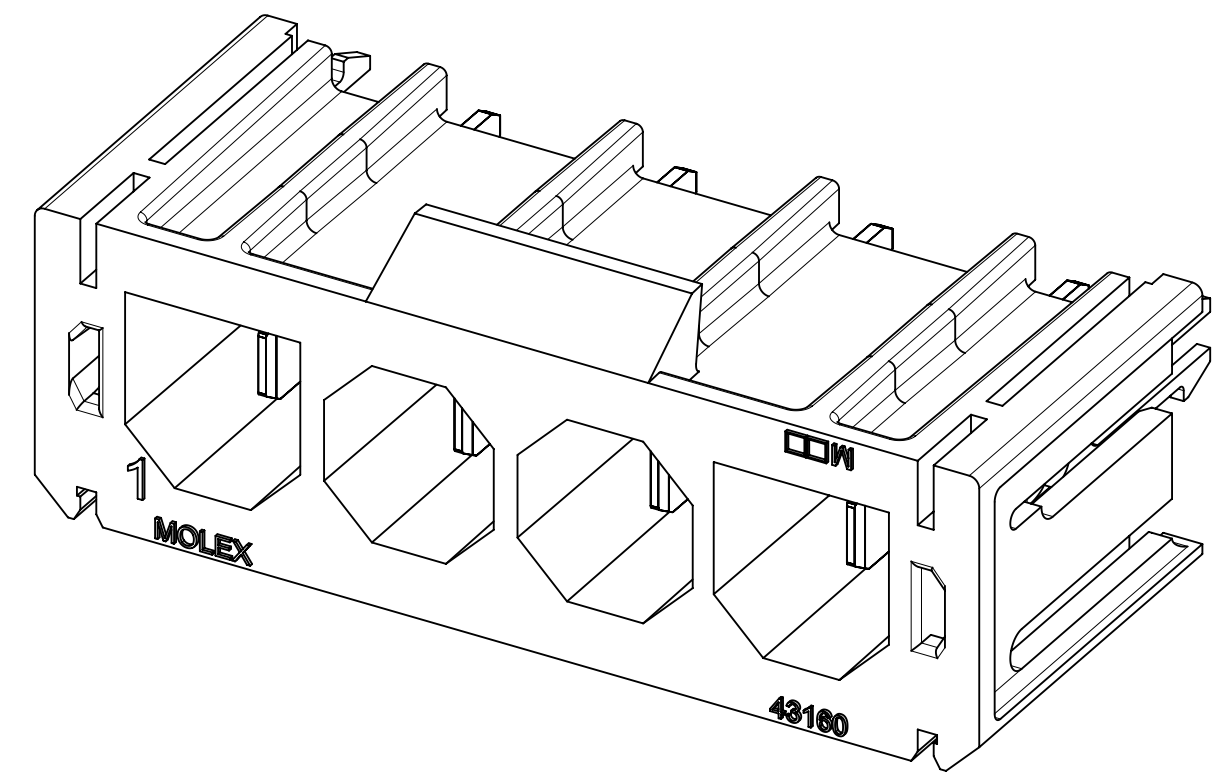
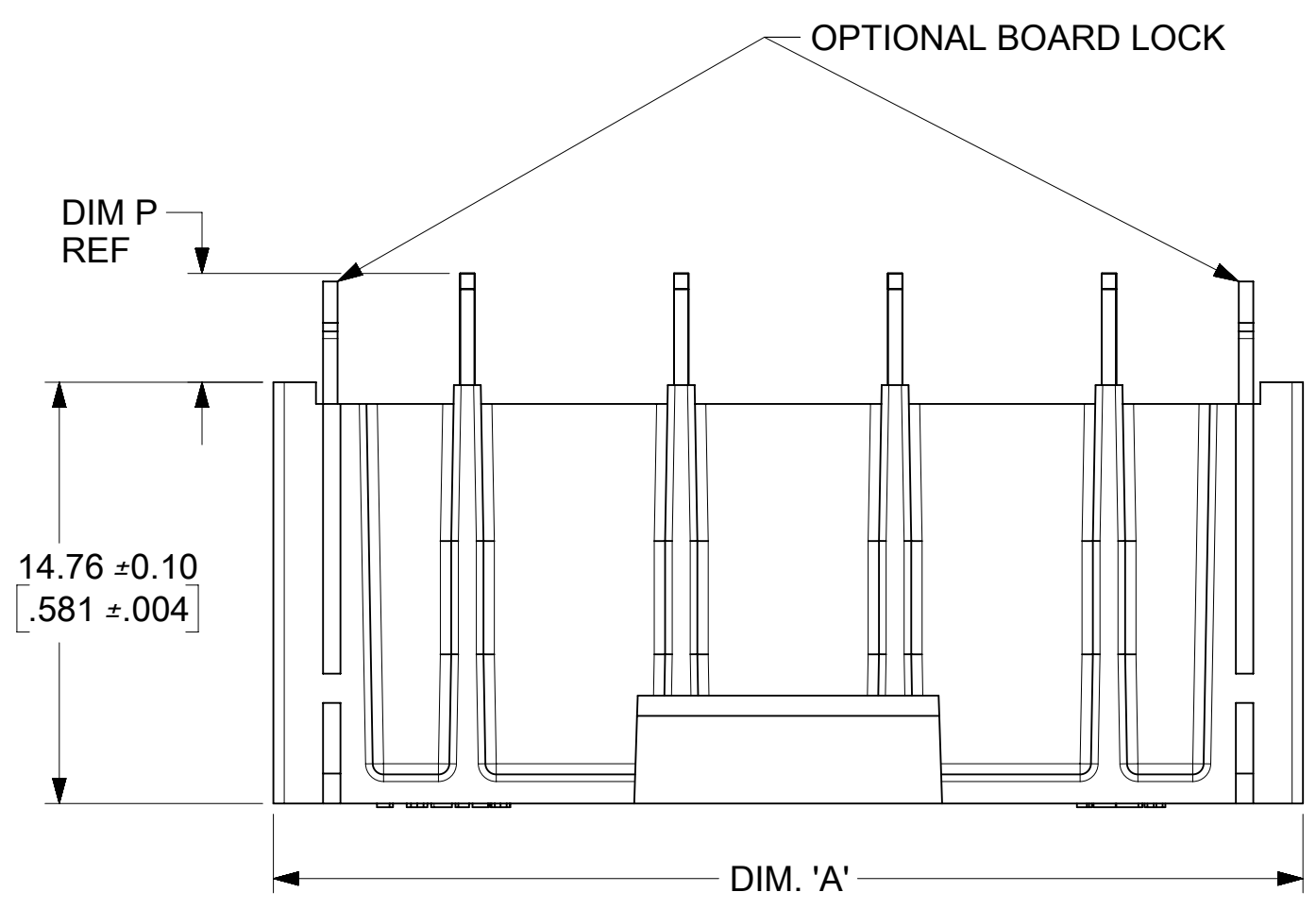


CIRCUITS	DIM. 'A' ± $\frac{0.33}{.013}$
2	$\frac{21.08}{.830}$
3	$\frac{28.58}{1.125}$
4	$\frac{36.07}{1.420}$
5	$\frac{43.56}{1.715}$
6	$\frac{51.05}{2.010}$
8	$\frac{66.04}{2.600}$



CIRCUIT 1

- INSULATOR MATERIAL: 30% GLASS FILLED 4/6 NYLON UL94V-0, COLOR: BLACK  
TERMINAL MATERIAL : BRASS
- TERMINAL FINISH: OVERALL REFLOWED MATTE TIN: 0.00152/.000060 MIN OVER 0.00127/.000050 MIN NICKEL.
- PRODUCT SPECIFICATION PS-44441-9999.
- PACKAGING: SEE CHART
- THIS HEADER MATES WITH 44441 OR 43335 SERIES RECEPTACLE HOUSINGS.
- HEADERS INDICATED AS "FINGER-PROOF" ARE DESIGNED TO MINIMIZE ACCESSIBILITY TO LIVE PARTS, PER UL1977 AND UL60950 (FORMERLY UL1950) FINGER PROBE REQUIREMENTS.
- THIS PART CONFORMS TO CLASS B REQUIREMENTS OF MOLEX COSMETIC SPECIFICATION PS-45499-002
- PARTS LISTED ON THIS DRAWING ARE CONSTRUCTED TO MEET THE REQUIREMENTS FOR DIRECT SUPPORT OF UNINSULATED LIVE PARTS AS DESCRIBED IN UL508C.
- TEXT ON PART IS FOR REFERENCE ONLY. TEXT AND TEXT LOCATION MAY VARY DEPENDING ON PART NUMBER AND/OR TOOL.
- PART DESIGNED IN INCHES.

SHEETS 1 AND 2: VERTICAL HEADERS  
SHEETS 3 AND 4: RIGHT ANGLE HEADERS  
SHEET 5: POLARIZATION

THIS DRAWING CONTAINS INFORMATION THAT IS PROPRIETARY TO MOLEX ELECTRONIC TECHNOLOGIES, LLC AND SHOULD NOT BE USED WITHOUT WRITTEN PERMISSION											
SYMBOLS		DIMENSION UNITS		SCALE		CURRENT REV DESC: RELEASED					
▽ = 0	IN/MM	4:1		EC NO: 623888 DRWN: MKIPPER 2019/09/11 CHK'D: DSTEIER 2019/09/13 APPR: FSMITH 2019/09/17 INITIAL REVISION: DRWN: MKIPPER 2019/09/11 APPR: FSMITH 2019/09/17							
▽ = 0	GENERAL TOLERANCES (UNLESS SPECIFIED)										
▽ = 0		MM	INCH								
▽ = 0	4 PLACES	±	±								
▽ = 0	3 PLACES	±	± 0.005								
▽ = 0	2 PLACES	± 0.13	± 0.01								
▽ = 0	1 PLACE	± 0.25	±								
▽ = 0	0 PLACES	±	±								
▽ = 0	ANGULAR TOL	± 0.5 °									
▽ = 0	DRAFT WHERE APPLICABLE MUST REMAIN WITHIN DIMENSIONS		THIRD ANGLE PROJECTION		DRAWING		SERIES				
						C-SIZE	46007				

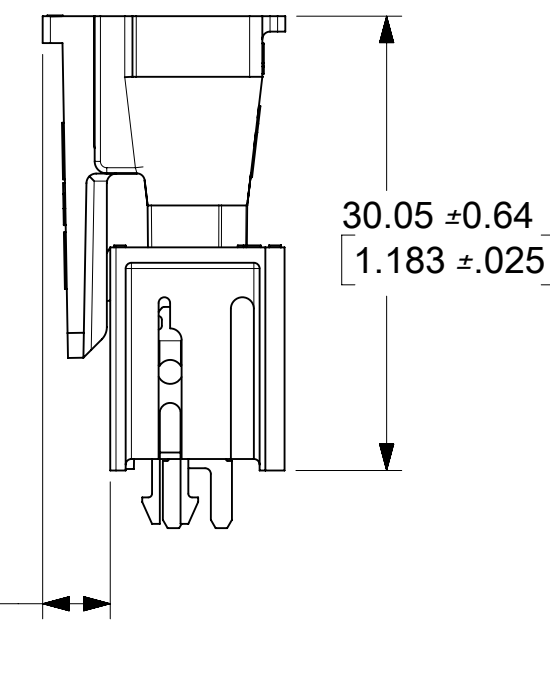
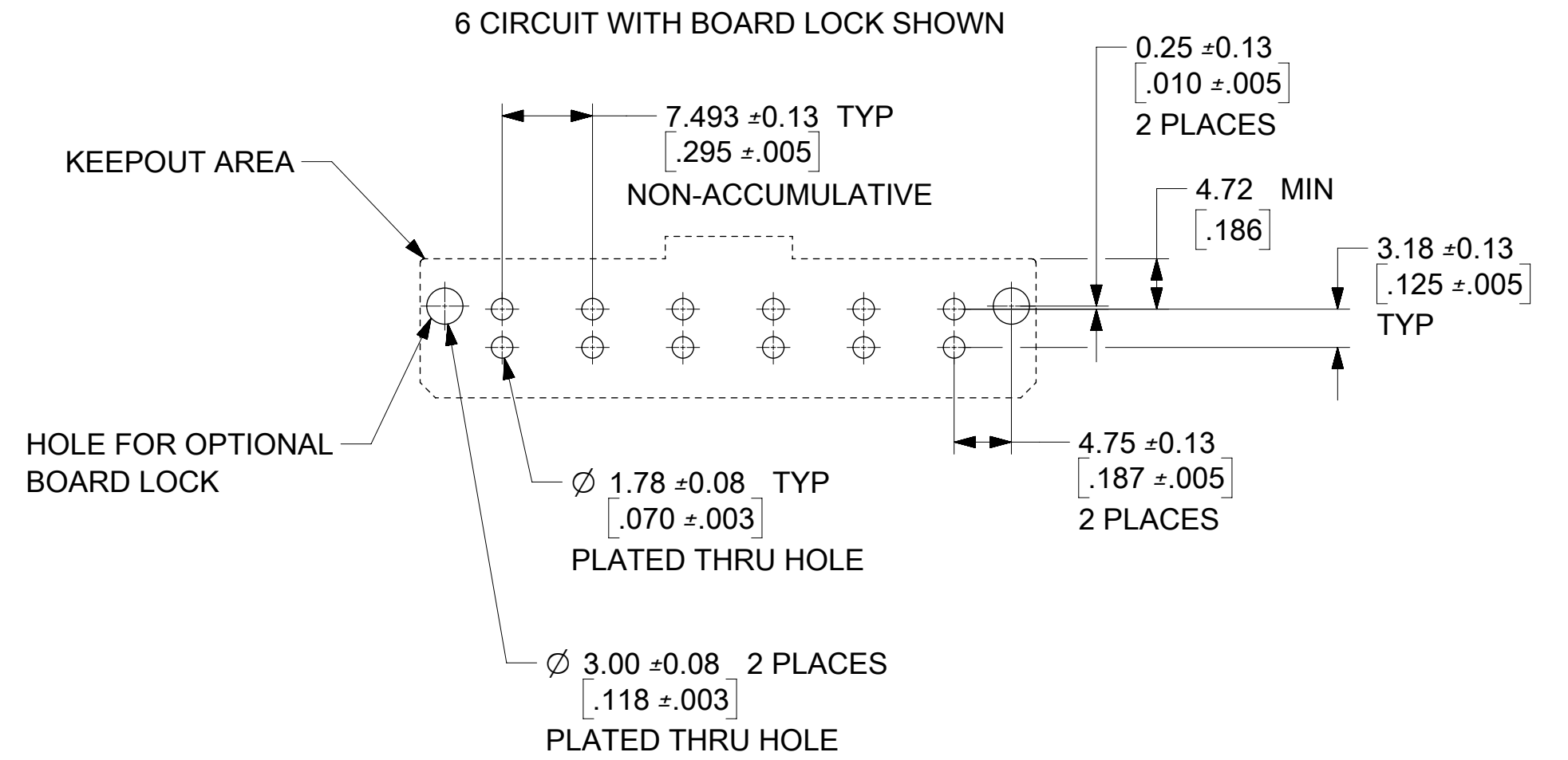
  

DOCUMENT NUMBER			DOC TYPE			DOC PART			REVISION
460070001-SD			PSD			000			A
MATERIAL NUMBER		CUSTOMER		SHEET NUMBER					
SEE CHARTS		GENERAL MARKET		1 OF 5					

VERTICAL HEADER ASSEMBLIES

ASSEMBLY PART NO.	CIRCUITS	DIM. 'P' ± $\frac{0.51}{.020}$	BOARD LOCK	DIM. 'B' ± $\frac{0.10}{.004}$	PACKAGING SPEC.
46007-0102	2	3.81/(.150) (SHORT TAIL)	NO	N/A	PK-43160-0010
46007-0103	3				
46007-0104	4				
46007-0105	5				
46007-0106	6				
46007-0108	8				
46007-0302	2	5.33/(.210) (LONG TAIL)	NO	N/A	PK-43789-001
46007-0303	3				
46007-0304	4				
46007-0305	5				
46007-0306	6				
46007-0308	8				
46007-2102	2	3.81/(.150) (SHORT TAIL)	YES	1.78/(.070) FOR 1.57/(.062) PCB	PK-43789-001
46007-2103	3				
46007-2104	4				
46007-2105	5				
46007-2106	6				
46007-2108	8				
46007-4102	2	3.81/(.150) (SHORT TAIL)	YES	2.59/(.102) FOR 2.39/(.094) PCB	PK-43789-001
46007-4103	3				
46007-4104	4				
46007-4105	5				
46007-4106	6				
46007-4108	8				
46007-4302	2	5.33/(.210) (LONG TAIL)	YES	2.59/(.102) FOR 2.39/(.094) PCB	PK-43789-001
46007-4303	3				
46007-4304	4				
46007-4305	5				
46007-4306	6				
46007-4308	8				
46007-6302	2	5.33/(.210) (LONG TAIL)	YES	3.38/(.133) FOR 3.18/(.125) PCB	PK-43789-001
46007-6303	3				
46007-6304	4				
46007-6305	5				
46007-6306	6				
46007-6308	8				
ASSEMBLY PART NO.	CIRCUITS	DIM. 'P' ± $\frac{0.51}{.020}$	BOARD LOCK	DIM. 'B' ± $\frac{0.10}{.004}$	PACKAGING SPEC.

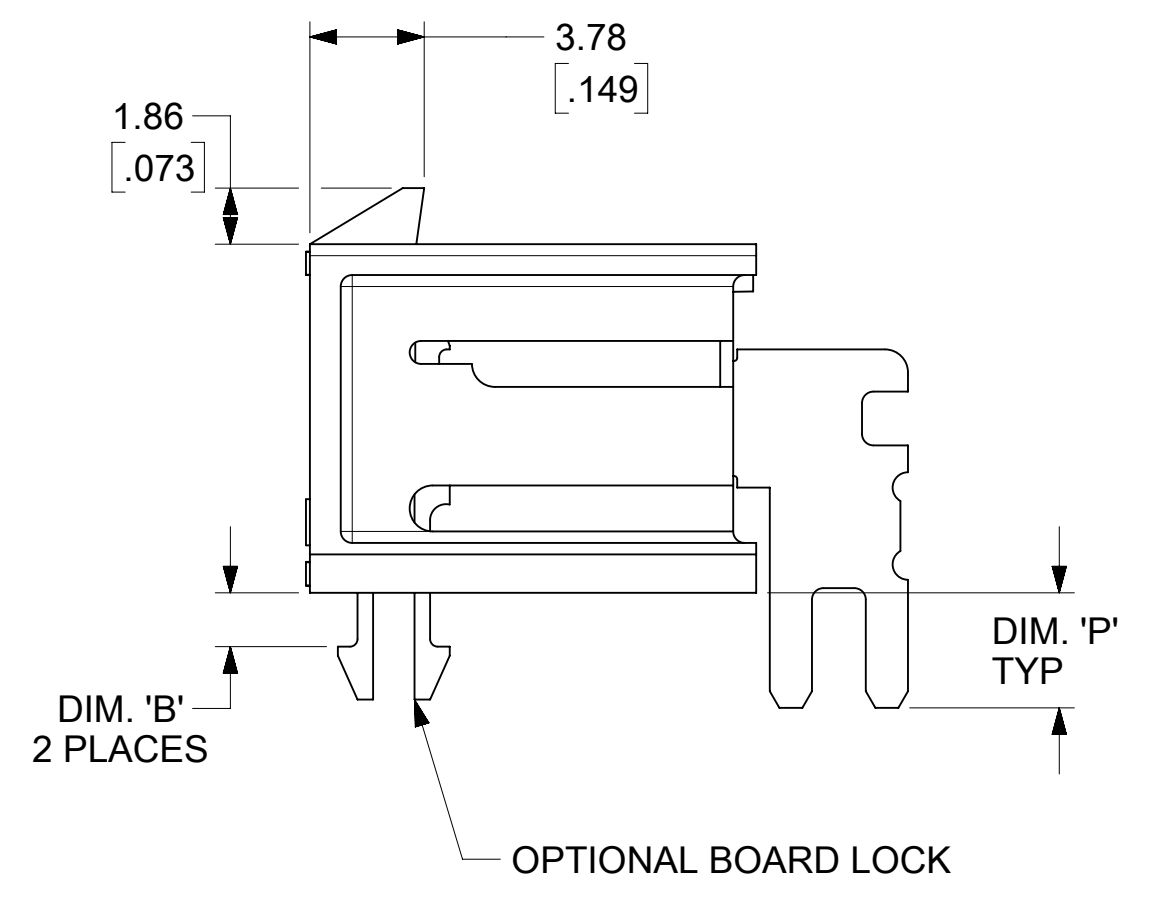
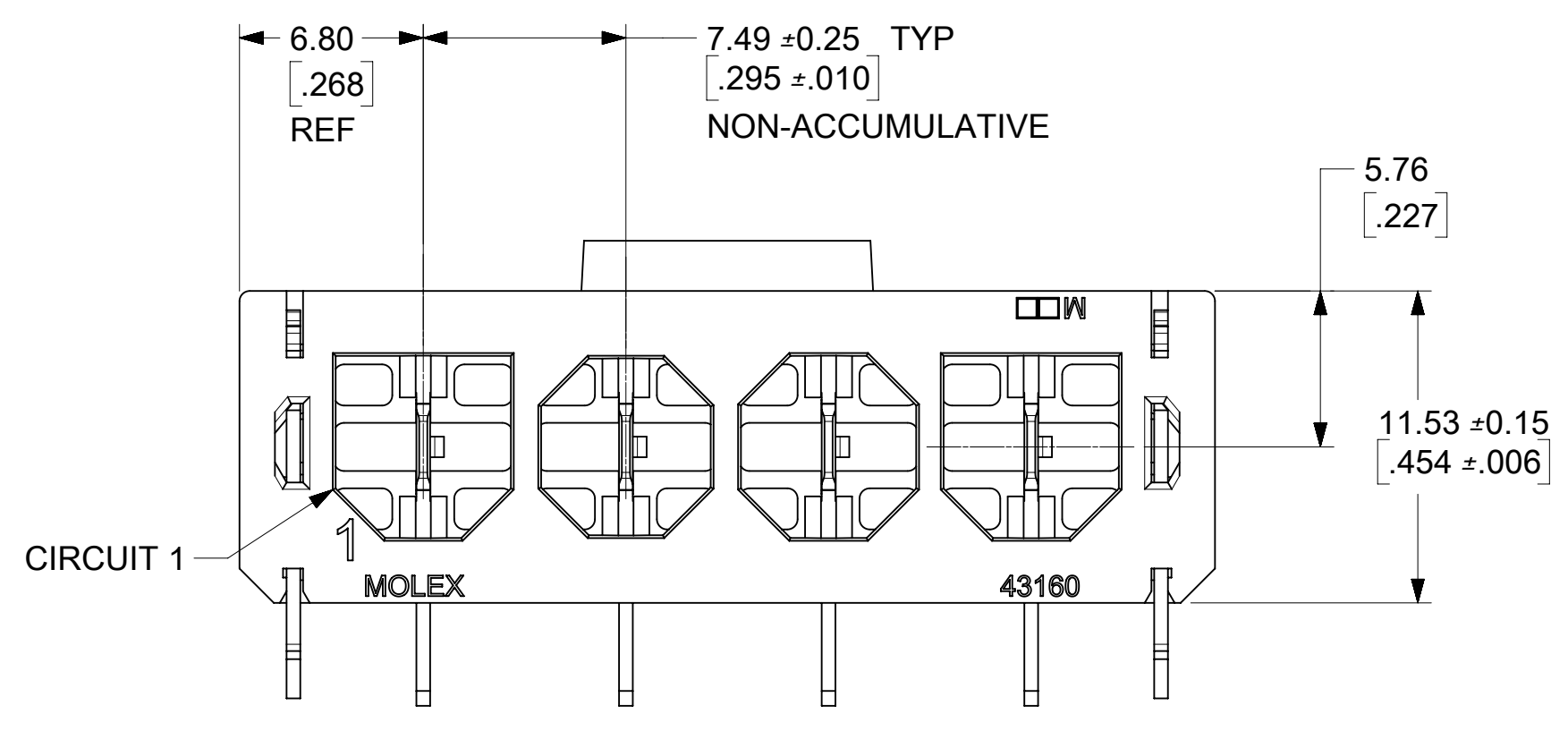
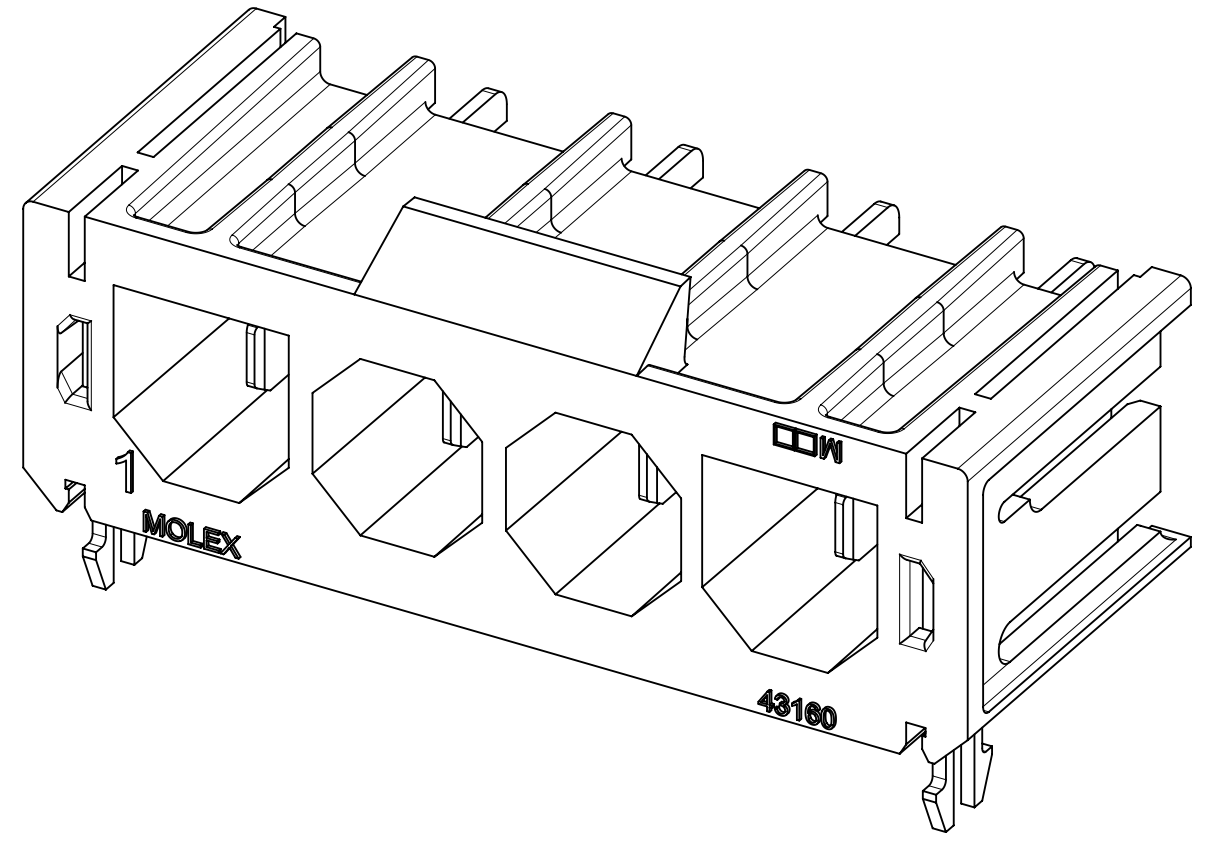
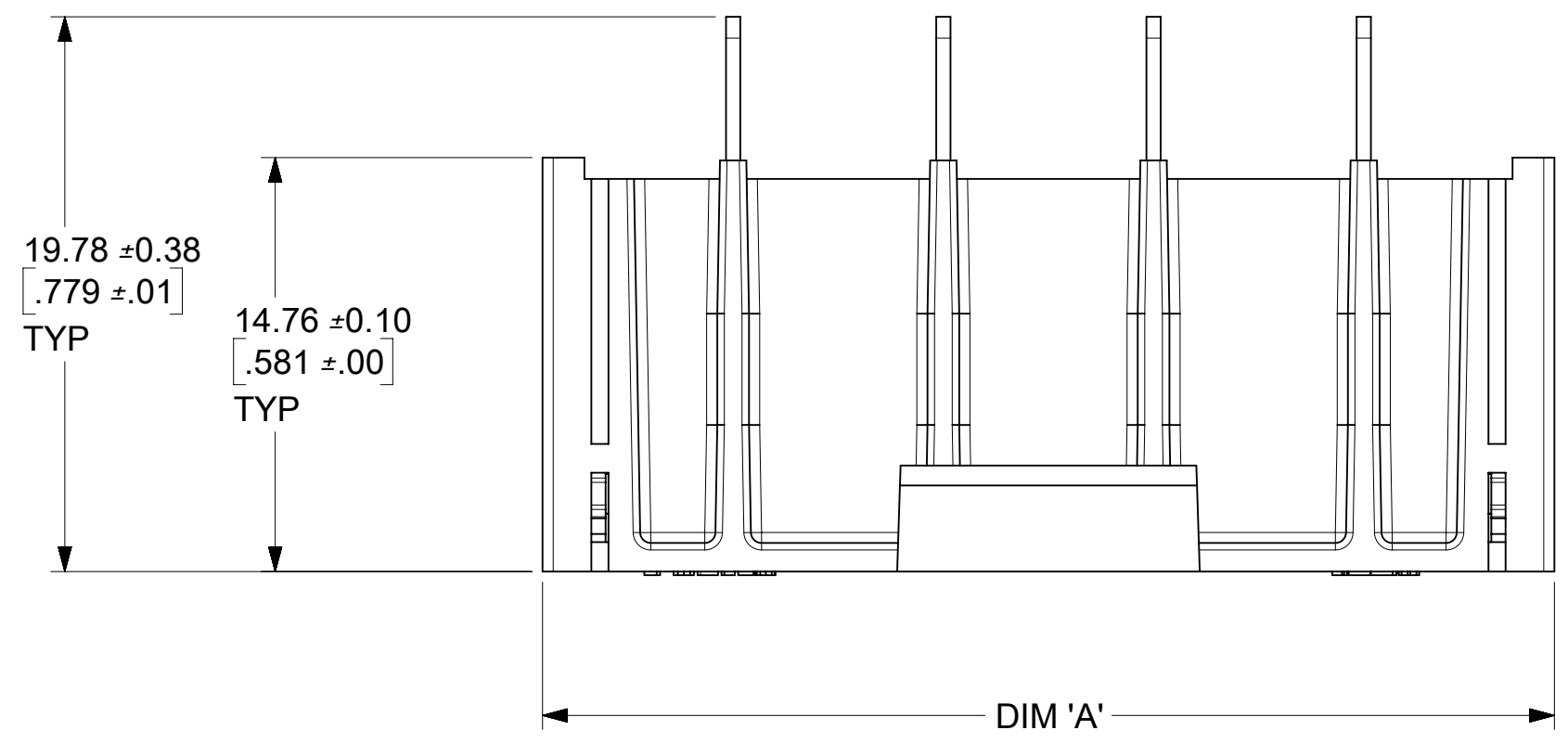
RECOMMENDED P.C. BOARD LAYOUT FOR VERTICAL HEADERS



MATED DIMENSIONS VERTICAL HEADERS

THIS DRAWING CONTAINS INFORMATION THAT IS PROPRIETARY TO MOLEX ELECTRONIC TECHNOLOGIES, LLC AND SHOULD NOT BE USED WITHOUT WRITTEN PERMISSION										
SYMBOLS		DIMENSION UNITS		SCALE		CURRENT REV DESC: RELEASED				
▽ = 0	▽ = 0	IN/MM	2:1			<b>molex</b> SABRE HEADER ASSEMBLY FINGER PROOF 2-6 & 8 CIRCUIT .125/(3.18) X .020/(0.51)				
▽ = 0	▽ = 0	GENERAL TOLERANCES (UNLESS SPECIFIED)								
▽ = 0	▽ = 0	MM	INCH			EC NO: 623888 DRWN: MKIPPER 2019/09/11 CHK'D: DSTEIER 2019/09/13 APPR: FSMITH 2019/09/17				
▽ = 0	▽ = 0	4 PLACES ±	±			PRODUCT CUSTOMER DRAWING DOCUMENT NUMBER: 460070001-SD DOC TYPE: PSD DOC PART: 000 REVISION: A				
▽ = 0	▽ = 0	3 PLACES ±	± 0.005							
▽ = 0	▽ = 0	2 PLACES ±	± 0.13	± 0.01			INITIAL REVISION: DRWN: MKIPPER 2019/09/11 APPR: FSMITH 2019/09/17			
▽ = 0	▽ = 0	1 PLACE ±	± 0.25	±			MATERIAL NUMBER: SEE CHARTS CUSTOMER: GENERAL MARKET SHEET NUMBER: 2 OF 5			
▽ = 0	▽ = 0	0 PLACES ±	±			DRAFT WHERE APPLICABLE MUST REMAIN WITHIN DIMENSIONS THIRD ANGLE PROJECTION DRAWING: C-SIZE SERIES: 46007				
▽ = 0	▽ = 0	ANGULAR TOL ±	± 0.5 °							

CIRCUITS	DIM. 'A' ±	0.33 .013
2	21.08 .830	
3	28.58 1.125	
4	36.07 1.420	
5	43.56 1.715	
6	51.05 2.010	
8	66.04 2.600	



THIS DRAWING CONTAINS INFORMATION THAT IS PROPRIETARY TO MOLEX ELECTRONIC TECHNOLOGIES, LLC AND SHOULD NOT BE USED WITHOUT WRITTEN PERMISSION													
SYMBOLS		DIMENSION UNITS		SCALE		CURRENT REV DESC: RELEASED							
∇ = 0	IN/MM	4:1											
∇ = 0	GENERAL TOLERANCES (UNLESS SPECIFIED)												
∇ = 0		MM	INCH										
S = 0	4 PLACES	±	±			EC NO: 623888							
∇ = 0	3 PLACES	±	± 0.005			DRWN: MKIPPER 2019/09/11							
∇ = 0	2 PLACES	± 0.13	± 0.01			CHK'D: DSTEIER 2019/09/13							
∇ = 0	1 PLACE	± 0.25	±			APPR: FSMITH 2019/09/17							
∇ = 0	0 PLACES	±	±			INITIAL REVISION:							
∇ = 0	ANGULAR TOL	± 0.5 °				DRWN: MKIPPER 2019/09/11							
∇ = 0	DRAFT WHERE APPLICABLE MUST REMAIN WITHIN DIMENSIONS						APPR: FSMITH 2019/09/17						
		THIRD ANGLE PROJECTION		DRAWING		SERIES		MATERIAL NUMBER		CUSTOMER		SHEET NUMBER	
		C-SIZE		46007		SEE CHARTS		GENERAL MARKET		3 OF 5			

**molex**

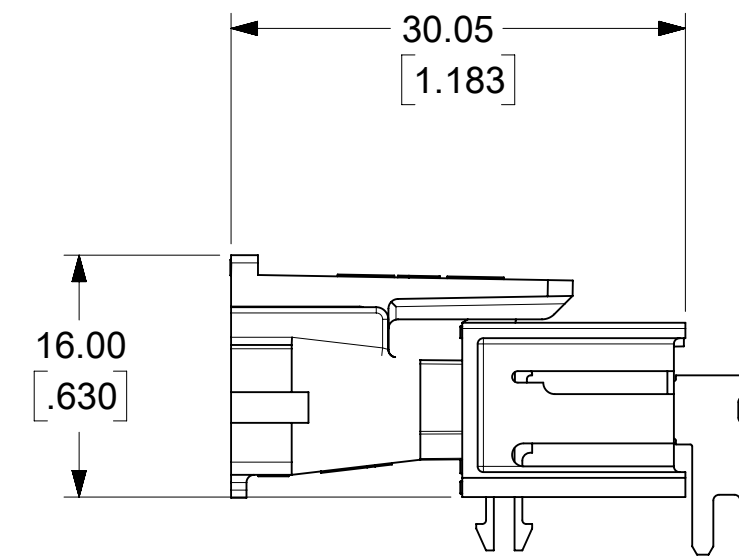
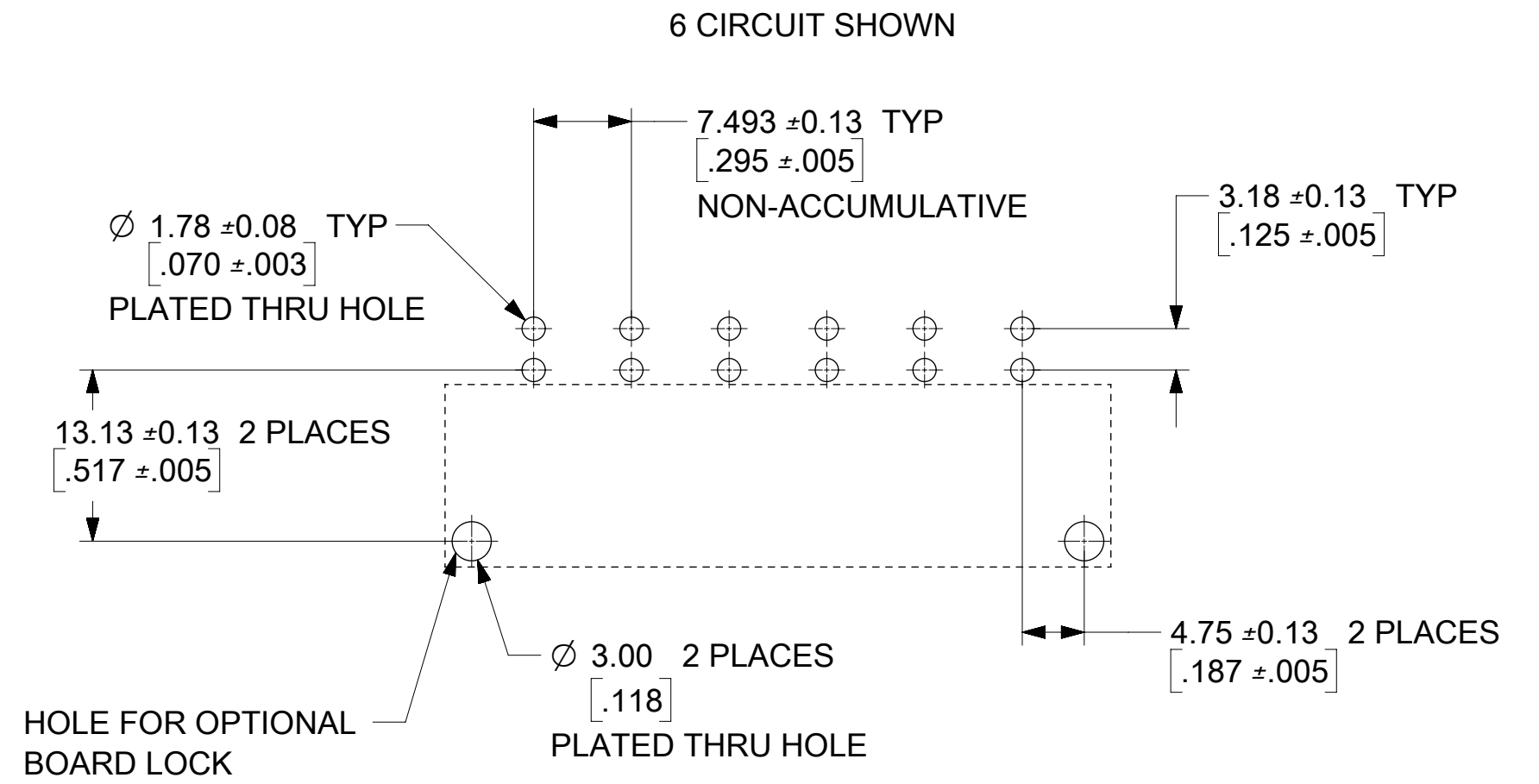
SABRE HEADER ASSEMBLY FINGER PROOF  
2-6 & 8 CIRCUIT .125/(3.18) X .020/(0.51)

PRODUCT CUSTOMER DRAWING

DOCUMENT NUMBER: 460070001-SD | DOC TYPE: PSD | DOC PART: 000 | REVISION: A

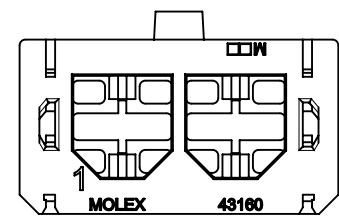
RIGHT ANGLE HEADER ASSEMBLIES					
ASSEMBLY PART NO.	CIRCUITS	DIM. 'P' ± $\frac{0.28}{.011}$	BOARD LOCK	DIM. 'B' ± $\frac{0.10}{.004}$	PACKAGING SPEC.
46007-1102	2	3.81/(.150) (SHORT TAIL)	NO	N/A	PK-43160-0010
46007-1103	3				
46007-1104	4				
46007-1105	5				
46007-1106	6				
46007-1108	8				
46007-1302	2	5.33/(.210) (LONG TAIL)	NO	N/A	PK-43789-001
46007-1303	3				
46007-1304	4				
46007-1305	5				
46007-1306	6				
46007-1308	8				
46007-3102	2	3.81/(.150) (SHORT TAIL)	YES	1.78/(.070) FOR 1.57/(.062) PCB	PK-43789-001
46007-3103	3				
46007-3104	4				
46007-3105	5				
46007-3106	6				
46007-3108	8				
46007-5102	2	3.81/(.150) (SHORT TAIL)	YES	2.59/(.102) FOR 2.39/(.094) PCB	PK-43789-001
46007-5103	3				
46007-5104	4				
46007-5105	5				
46007-5106	6				
46007-5108	8				
46007-5302	2	5.33/(.210) (LONG TAIL)	YES	2.59/(.102) FOR 2.39/(.094) PCB	PK-43789-001
46007-5303	3				
46007-5304	4				
46007-5305	5				
46007-5306	6				
46007-5308	8				
46007-7302	2	5.33/(.210) (LONG TAIL)	YES	3.38/(.133) FOR 3.18/(.125) PCB	PK-43789-001
46007-7303	3				
46007-7304	4				
46007-7305	5				
46007-7306	6				
46007-7308	8				
ASSEMBLY PART NO.	CIRCUITS	DIM. 'P' ± $\frac{0.28}{.011}$	BOARD LOCK	DIM. 'B' ± $\frac{0.10}{.004}$	PACKAGING SPEC.

### RECOMMENDED P.C. BOARD LAYOUT FOR RIGHT ANGLE HEADERS

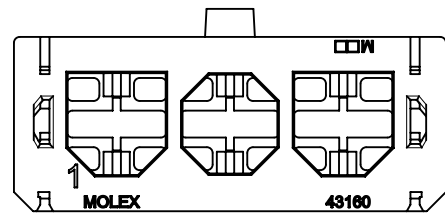
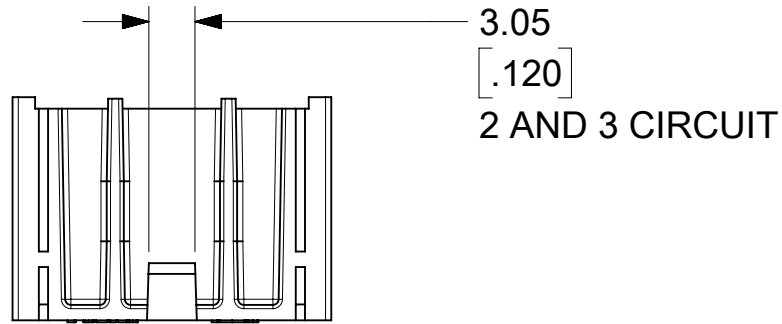


### MATED DIMENSIONS RIGHT ANGLE HEADERS

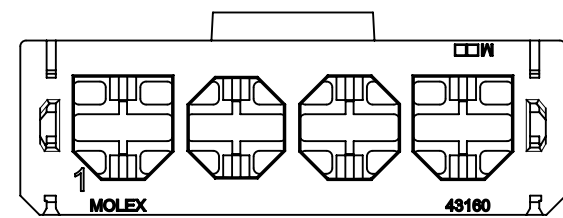
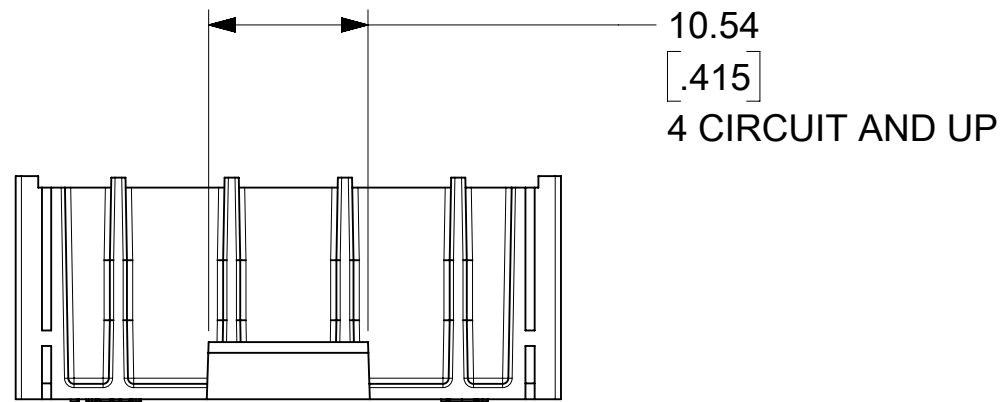
SYMBOLS	THIS DRAWING CONTAINS INFORMATION THAT IS PROPRIETARY TO MOLEX ELECTRONIC TECHNOLOGIES, LLC AND SHOULD NOT BE USED WITHOUT WRITTEN PERMISSION				
	DIMENSION UNITS	SCALE	CURRENT REV DESC: RELEASED		
$\nabla = 0$	IN/MM	2:1			
$\nabla = 0$	GENERAL TOLERANCES (UNLESS SPECIFIED)				
$\nabla = 0$		MM	INCH	EC NO: 623888	
$\nabla = 0$	4 PLACES	±	±	DRWN: MKIPPER	2019/09/11
$\nabla = 0$	3 PLACES	±	± 0.005	CHK'D: DSTEIER	2019/09/13
$\nabla = 0$	2 PLACES	± 0.13	± 0.01	APPR: FSMITH	2019/09/17
$\nabla = 0$	1 PLACE	± 0.25	±	INITIAL REVISION:	
$\nabla = 0$	0 PLACES	±	±	DRWN: MKIPPER	2019/09/11
$\nabla = 0$	ANGULAR TOL	± 0.5°		APPR: FSMITH	2019/09/17
$\nabla = 0$	DRAFT WHERE APPLICABLE MUST REMAIN WITHIN DIMENSIONS		THIRD ANGLE PROJECTION	DRAWING	SERIES
				C-SIZE	46007
DOCUMENT STATUS		P1	RELEASE DATE	2019/09/17	14:17:52
DOCUMENT NUMBER		DOC TYPE	DOC PART	REVISION	
460070001-SD		PSD	000	A	
MATERIAL NUMBER		CUSTOMER		SHEET NUMBER	
SEE CHARTS		GENERAL MARKET		4 OF 5	



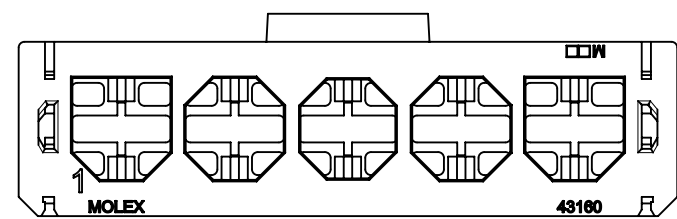
2 CIRCUITS



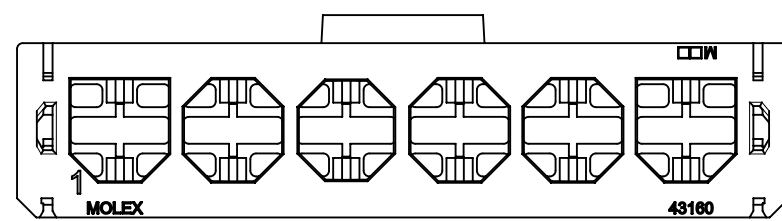
3 CIRCUITS



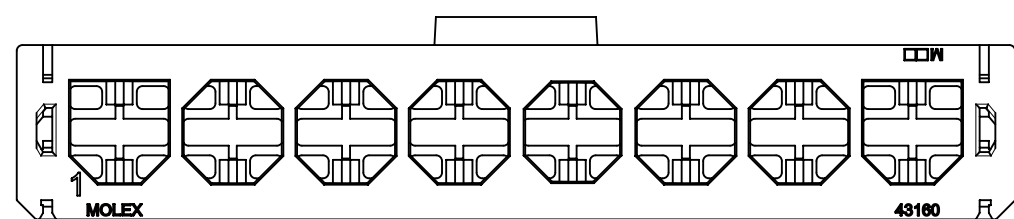
4 CIRCUITS



5 CIRCUITS



6 CIRCUITS



8 CIRCUITS

**POLARIZATION**

SYMBOLS	THIS DRAWING CONTAINS INFORMATION THAT IS PROPRIETARY TO MOLEX ELECTRONIC TECHNOLOGIES, LLC AND SHOULD NOT BE USED WITHOUT WRITTEN PERMISSION				
	DIMENSION UNITS	SCALE		CURRENT REV DESC: RELEASED	
∇ = 0	MM/INCH	2:1		<p><b>molex</b></p> <p>SABRE HEADER ASSEMBLY FINGER PROOF 2-6 &amp; 8 CIRCUIT .125/(3.18) X .020/(0.51)</p> <p>PRODUCT CUSTOMER DRAWING</p>	
∇ = 0	GENERAL TOLERANCES (UNLESS SPECIFIED)				
∇ = 0		MM	INCH		
∇ = 0	4 PLACES	±	±		
∇ = 0	3 PLACES	±	± 0.005	EC NO: 623888	2019/09/11
∇ = 0	2 PLACES	± 0.13	± 0.01	DRWN: MKIPPER	2019/09/13
∇ = 0	1 PLACE	± 0.25	±	CHK'D: DSTEIER	2019/09/17
∇ = 0	0 PLACES	±	±	APPR: FSMITH	
∇ = 0	ANGULAR TOL	± 0.5 °		INITIAL REVISION:	
∇ = 0	DRAFT WHERE APPLICABLE MUST REMAIN WITHIN DIMENSIONS		THIRD ANGLE PROJECTION	DRWN: MKIPPER	2019/09/11
				APPR: FSMITH	2019/09/17
				DRAWING	SERIES
				C-SIZE	46007
				MATERIAL NUMBER	CUSTOMER
				SEE CHARTS	GENERAL MARKET
				DOCUMENT NUMBER	DOC TYPE   DOC PART   REVISION
				460070001-SD	PSD   000   A
				SHEET NUMBER	5 OF 5