

ENG. NO SEE TABLE

EDP NO.

SIMILAR ITEM

CAD FILE NO. S6728502.S01

DO NOT SCALE DRAWING

NOTES :

1. MATERIAL :

HOUSING : POLYESTER , UL94-V0 , COLOR:(a) BLACK (b) WHITE  
 TERMINAL : PHOSPHOR BRONZE  
 METAL SHELL : COPPER ALLOY

2. PLATING :

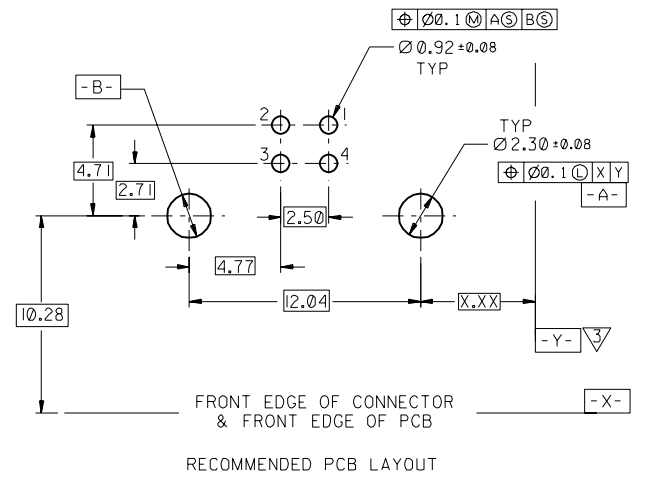
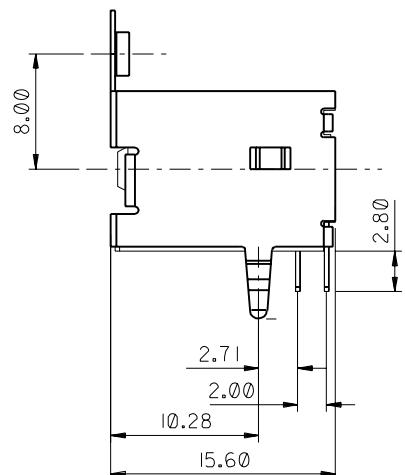
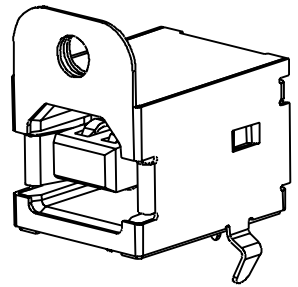
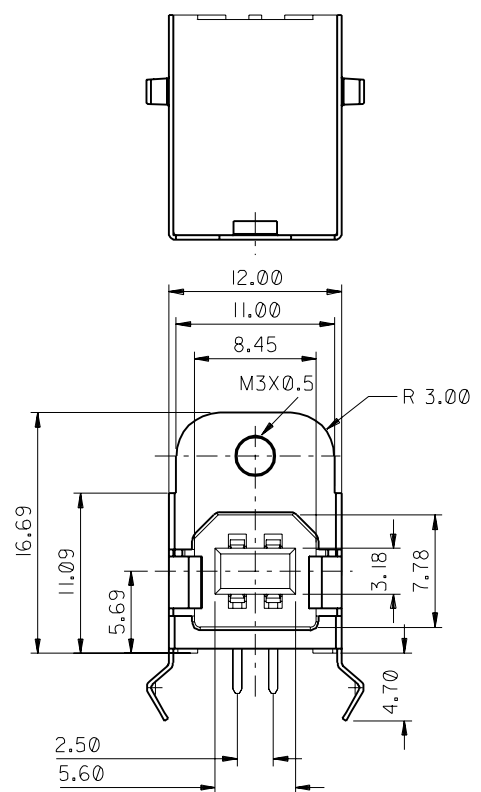
TERMINAL :

CONTACT AREA : (a) GOLD FLASH,  
 (b) GLOD (Au), THICKNESS = 30 MICROINCH/0.76 MICROMETER  
 SOLDER TAIL : TIN-LEAD (Sn-Pb) ALLOY,  
 THICKNESS= 150 MICROINCH /3.8 MICROMETER  
 UNDER PLATE : NICKEL (Ni), THICKNESS= 50 MICROINCH/1.27 MICROMETER  
 METAL SHELL :

TIN-LEAD (Sn-Pb) ALLOY , THICKNESS= 100 MICROINCH/2.54 MICROMETER  
 UNDER PLATE : NICKEL (Ni) , THICKNESS= 50 MICROINCH/1.27 MICROMETER

3 DATUM AND BASIC DIMENSIONS ESTABLISHED BY CUSTOMER  
 RECOMMENDED PCB THICKNESS : 1.60±0.05

4 PRODUCT SPECIFICATION : REFER TO PS-67998-0000  
 5 THE SCREW LOCK TORQUE IS 1.2 kgf-cm MINIMUM



PART NUMBER LEGEND:

P/N	COLOR	CONTACT PLATING
67285-0000	BLACK	GOLD FLASH
67285-0001	BLACK	0.76 MICROMETER/30 MICROINCH GOLD
67285-1000	WHITE	GOLD FLASH
67285-1001	WHITE	0.76 MICROMETER/30 MICROINCH GOLD

ADD NOTES 5  
 EC NO. T2001-0115  
 DRWN: RICHARD HO 010129  
 CHK: VINCENT  
 APPR: MEGA LIN

REMOVE THE DIMENSION  
 EC NO. T1999-0310  
 DRWN: SAM SHIN 990603  
 CHK: VINCENT 990603  
 APPR: MEGA LIN 990603

QUALITY SYMBOLS  
 MAJOR  
 CRITICAL

GENERAL TOLERANCES:  
 (UNLESS SPECIFIED)

	mm	INCH
4 PLACES	±0.	±.
3 PLACES	±0.	±.
2 PLACES	±0.25	±0.10
1 PLACE	±0.25	±0.10

ANGULAR: +3°  
 DRAFT WHERE APPLICABLE MUST REMAIN WITHIN DIMENSIONS

SCALE 3:1  
 DESIGN UNITS  
 mm  INCH  
 THIRD ANGLE PROJECTION  
 DRAWN BY & DATE  
 SAM SHIN  
 CHECKED BY & DATE  
 APPROVED BY & DATE

TITLE: SALES DRAWING OF  
 USB" B" R/A CONNECTOR  
 WITH SCREW FLANGE

MOLEX MOLEX INCORPORATED

CAD FILENAME: S6728502.S01  
 MATERIAL NO.: SEE TABLE  
 DRAWING NO.: SD-67285-002  
 SHEET NO.: 1

THIS DRAWING CONTAINS INFORMATION THAT IS PROPRIETARY TO MOLEX INCORPORATED AND SHOULD NOT BE USED WITHOUT WRITTEN PERMISSION.

SIZE A3

DIMENSIONS:		I	C
<input type="checkbox"/> mm	<input type="checkbox"/> INCH	SHT	REV
<input type="checkbox"/> mm	<input type="checkbox"/> INCH	REVISE ON CAD ONLY	