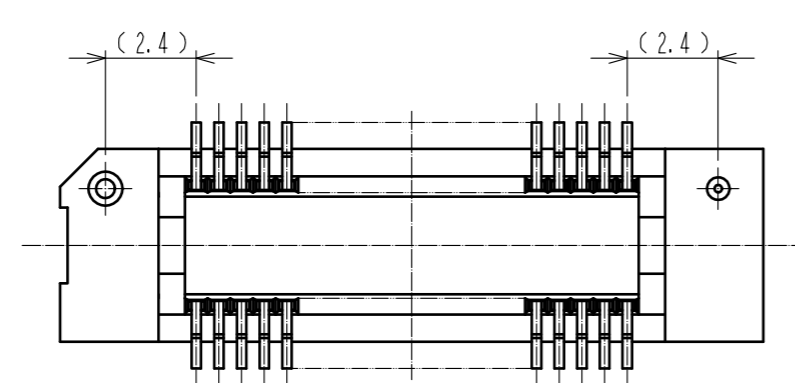
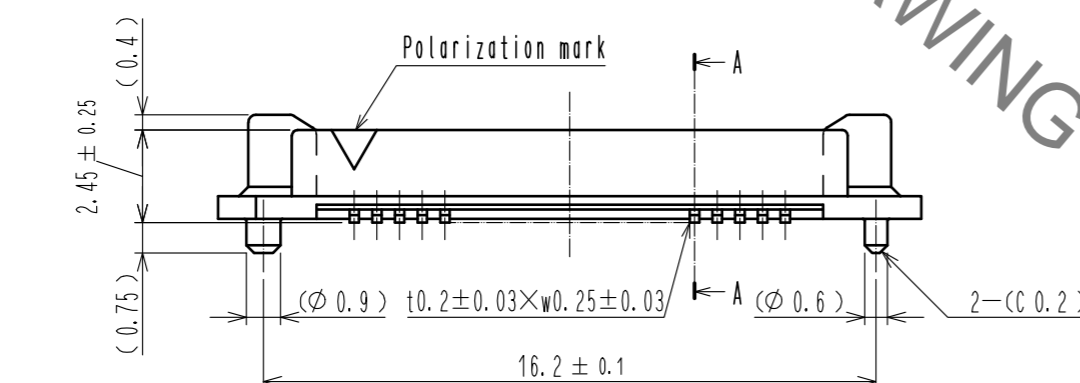
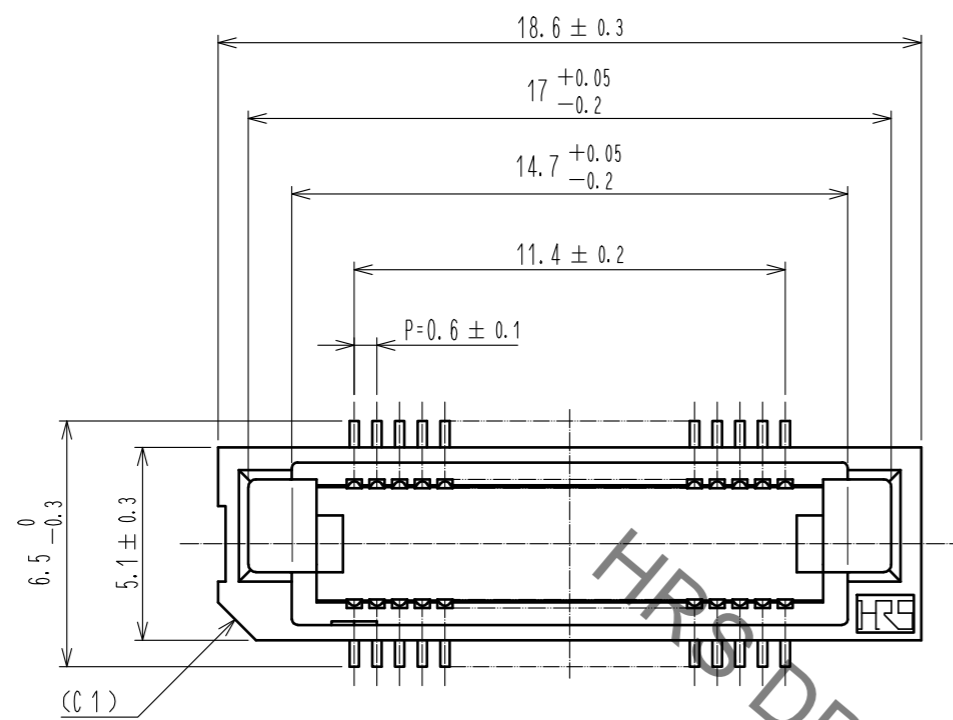
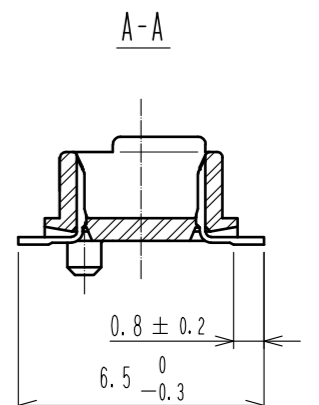
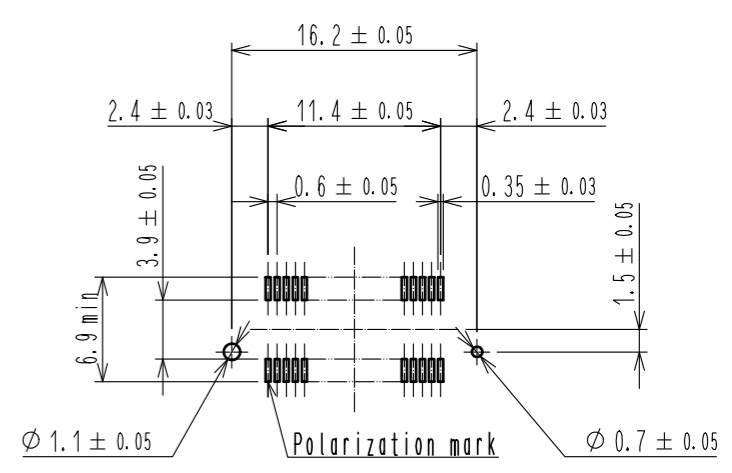


Apr.1.2023 Copyright 2023 HIROSE ELECTRIC CO., LTD. All Rights Reserved.
In case of consideration for using Automotive equipment / device which demand high reliability, kindly contact our sales window correspondents.



Recommended land pattern dimension of PCB (mounting side) (2:1)

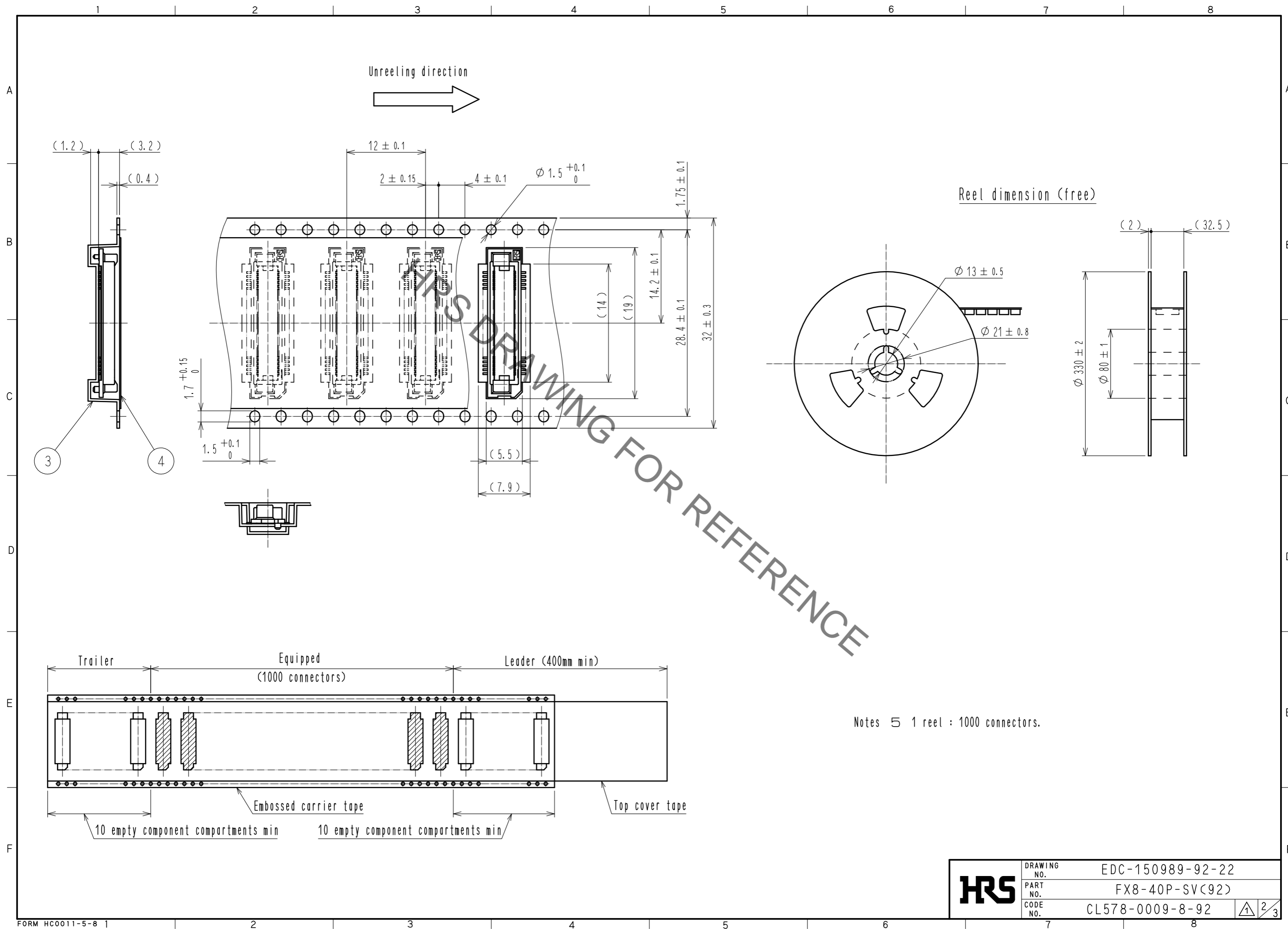


- Notes
- 1 Lead CO-PLANARITY shall be 0.1mm max.
 - 2 Embossed carrier tape packaging shall be applied to this product. See next page for details.
 - 3 For modification, etc., preventive hole for sink mark may be added according to circumstances.
 - 4 The dimensions in parentheses are for reference.

| 2 | PHOSPHOR BRONZE | Contact area : Gold 0.1µm min. | 4 | POLYESTER | (Top cover tape) | | |
|--------------------------------------|-----------------|---------------------------------|----------|------------------------------|-------------------------|---------------|----------|
| | | Lead area : Gold flash | | | | | |
| | | Under plating : Nickel 1µm min. | 3 | POLYSTYRENE | (Embossed carrier tape) | | |
| 1 | PPS | Light brown (UL94V-0) | | | | | |
| NO. | MATERIAL | FINISH . REMARKS | NO. | MATERIAL | FINISH . REMARKS | | |
| UNITS | ⊕ | SCALE | COUNT | DESCRIPTION OF REVISIONS | DESIGNED | CHECKED | DATE |
| mm | | 5 : 1 | 1 | DIS-F-00006410 | KS. NAKAJIMA | HT. YAMAGUCHI | 20200803 |
| HRS HIROSE ELECTRIC CO., LTD. | | APPROVED : HS. OKAWA | 20060404 | DRAWING NO. EDC-150989-92-22 | | | |
| | | CHECKED : HS. OZAWA | 20060404 | PART NO. FX8-40P-SV(92) | | | |
| | | DESIGNED : TK. YANAGISAWA | 20060403 | CODE NO. CL578-0009-8-92 | | | |
| | | DRAWN : TK. YANAGISAWA | 20060403 | | | 1/3 | |

Added precaution

Apr.1.2023 Copyright 2023 HIROSE ELECTRIC CO., LTD. All Rights Reserved.
 In case of consideration for using Automotive equipment / device which demand high reliability, kindly contact our sales window correspondents.



| | | |
|------------|-------------|------------------|
| HRS | DRAWING NO. | EDC-150989-92-22 |
| | PART NO. | FX8-40P-SV(92) |
| | CODE NO. | CL578-0009-8-92 |
| | | \triangle 2/3 |

Apr.1.2023 Copyright 2023 HIROSE ELECTRIC CO., LTD. All Rights Reserved.
In case of consideration for using Automotive equipment / device which demand high reliability, kindly contact our sales window correspondents.

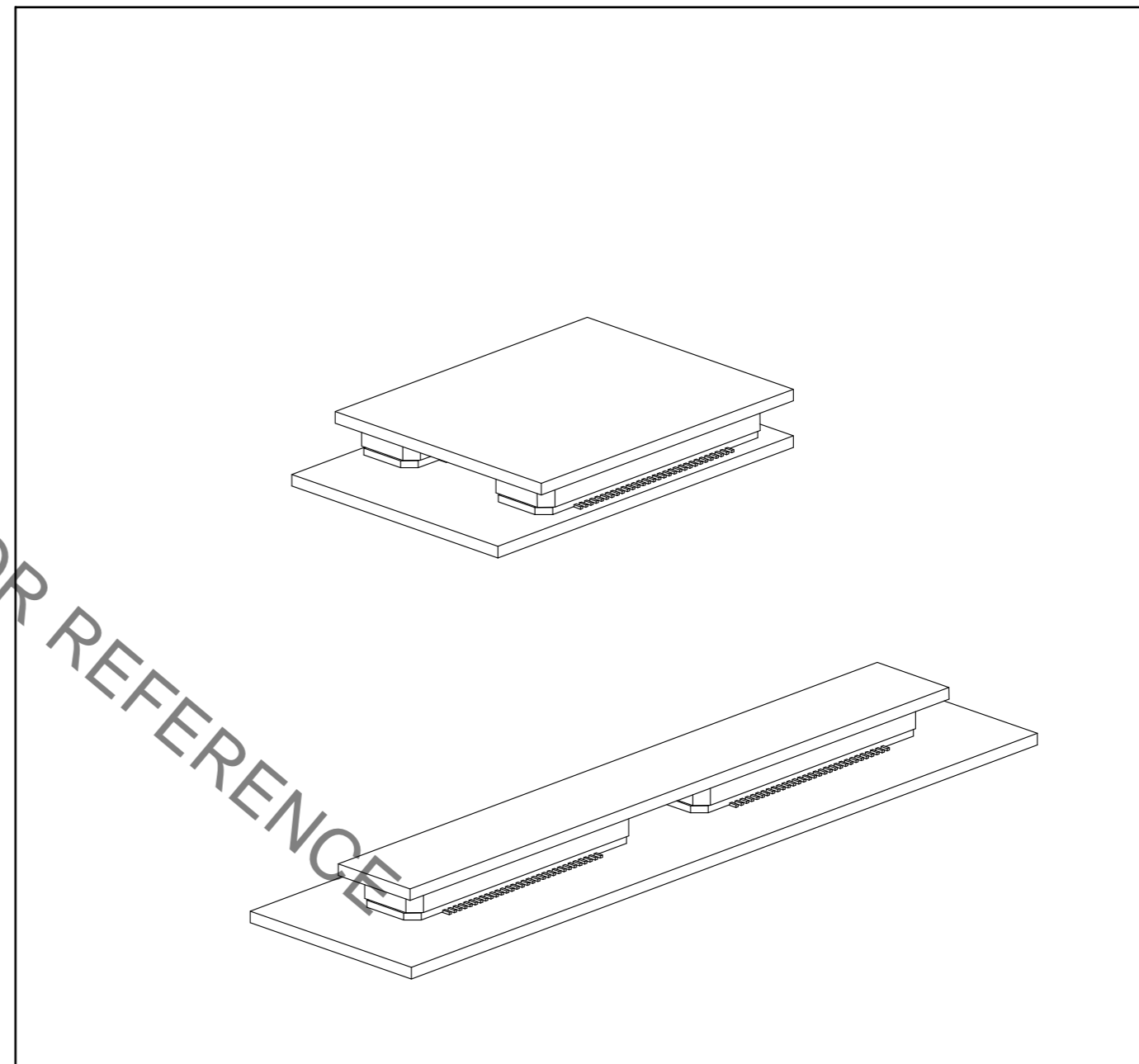
【 Precaution 】

When a board with multiple connectors mounted is mated, the connector may be damaged or deformed.
Please divide one side of the board so only one connector is mated per board.

OK



NG



| | |
|-------------|------------------|
| DRAWING NO. | EDC-150989-92-22 |
| PART NO. | FX8-40P-SV(92) |
| CODE NO. | CL578-0009-8-92 |

3/3