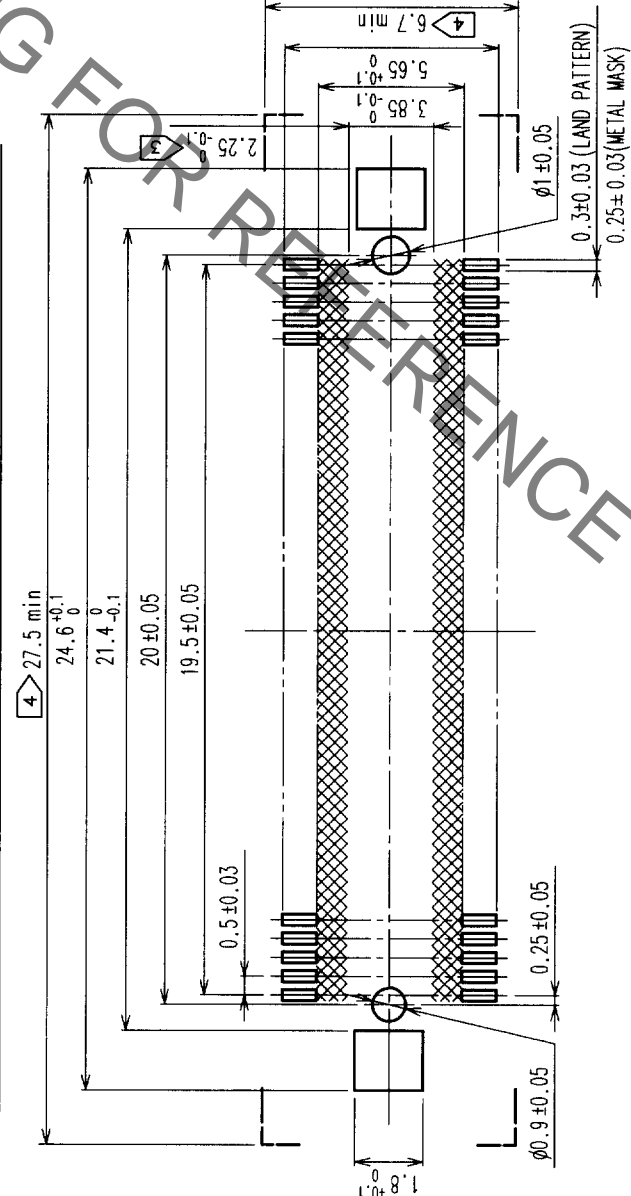
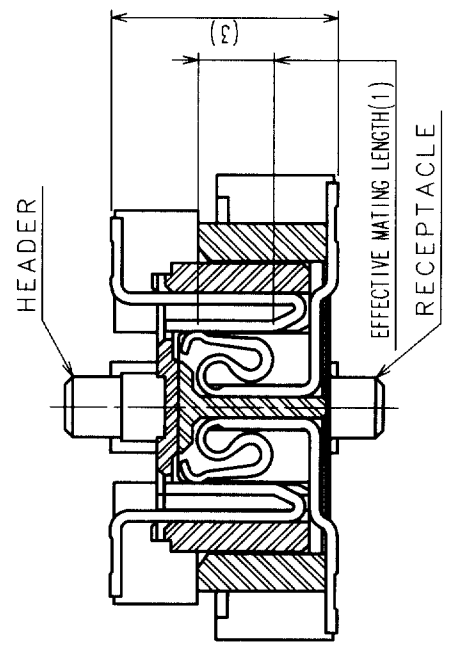


RECOMMENDED LAND PATTERN DIMENSION OF PCB



SIGNAL PORTION CROSS SECTION (10:1)



HRS DRAWING FOR REFERENCE

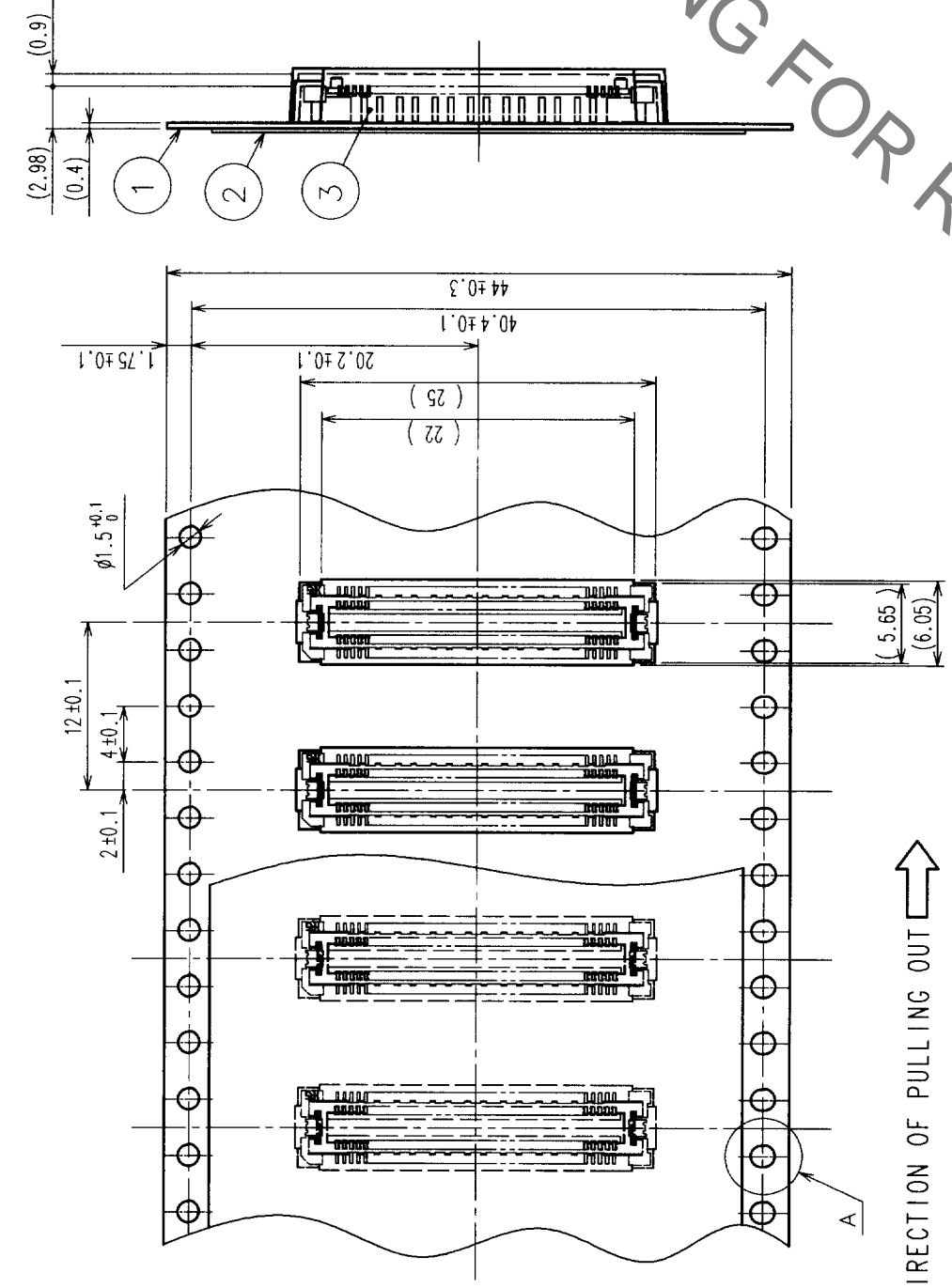
- NOTES
- 1 SMT LEAD-COPPLANARITY: 0.1 MAX.
 - 2 THIS PRODUCT HAS NO POLARITY TO PATTERN FOR MOUNTING.
 - 3 MAKE SURE WIDTH OF PATTERN IS WITHIN THAT OF LAND ,OR LEAD MAY TOUCH PATTERN. (THIS APPLIES TO HATCHED AREA.)
 - 4 DO NOT MOUNT OTHER DEVICES ONTO [] AREA ,OR MATING PAIR CANNOT BE MATED.
 - 5 TO BE EMBOSSED CARRIER TAPED AS SPECIFIED IN SHEET 2.

COUNT	DESCRIPTION OF REVISIONS	BY	CHKD	DATE	COUNT	DESCRIPTION OF REVISIONS	BY	CHKD	DATE
△					△				
△					△				
△					△				

2	COPPER ALLOY	CONTACT AREA: GOLD (0.1µm) OVER NICKEL	
1	LCP	LEAD: GOLD FLASH OVER NICKEL	
NO.	MATERIAL	FINISH, REMARKS	NO.
3	PHOSPHOR BRONZE	TIN PLATED	3
CODE NO. (OLD)	CL	DESIGNED	CHECKED
		DRAWN	APPROVED
		RELEASER	RELEASED
		M. Matsubara / H. Takawa T. Yoshimura ED-06-20 ED-06-20 ED-06-21 ED-06-23	
DRAWING NO.	PART NO.		
EDC3-152626-01	FX11A-80P-SVO.5(21)		
SCALE	CODE NO.		
5 : 1	CL573-0648-5-21		
UNITS	mm		

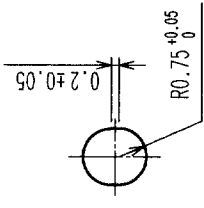
TO	
PCK	

COUNT	DESCRIPTION OF REVISIONS	BY	CHKD	DATE	COUNT	DESCRIPTION OF REVISIONS	BY	CHKD	DATE
△					△				
△					△				
△					△				

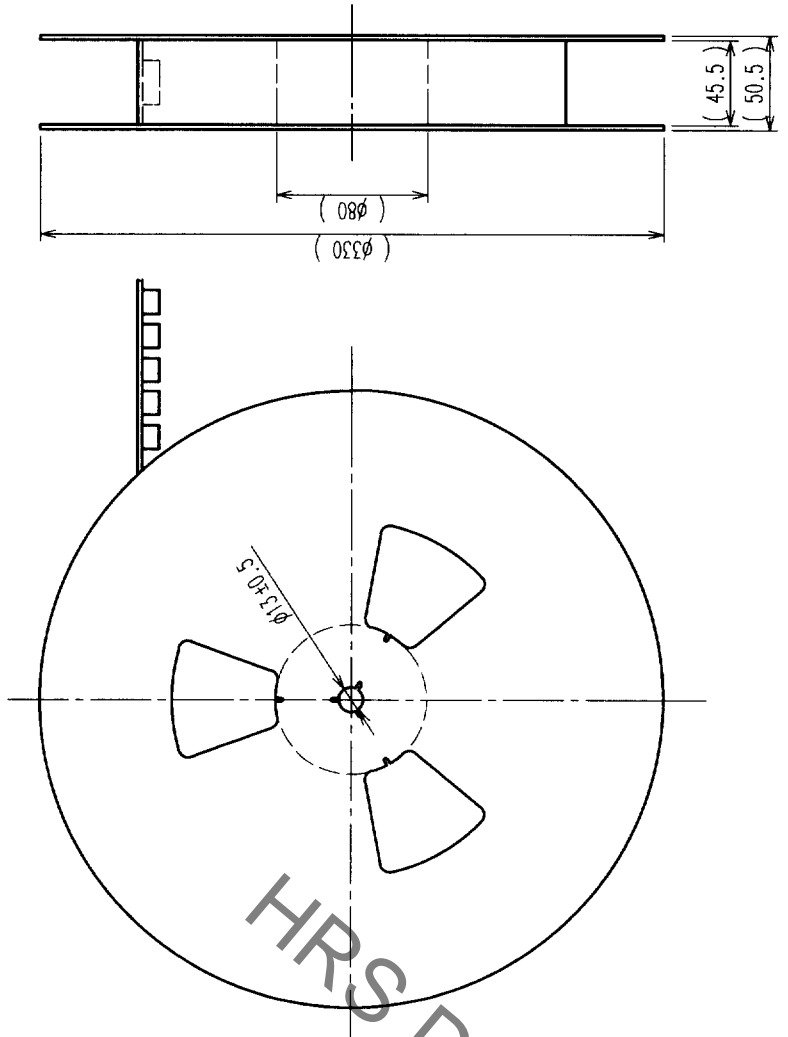


THE DIRECTION OF PULLING OUT →

A (5 : 1)



REELED DIMENSION (FREE)



HRS DRAWING FOR REFERENCE

- NOTES 1 REEL: 1000 CONNECTORS.
- 2 MINIMUM 10 COMPARTMENTS FROM BOTH REEL ENDS REMAIN EMPTY.
- 3 THIS PRODUCT HAS NO POLARITY TO TAPE AND REEL PACKAGING.

2	PET	TOP COVER TAPE			
1	PS	EMBOSSED CARRIER TAPE	3	(CONNECTOR)	
NO.	MATERIAL	FINISH, REMARKS	NO.	MATERIAL	FINISH, REMARKS
DRAWING FOR PACKING					
CODE NO. (OLD)		DRAWN		DESIGNED	CHECKED
CL		H. Okawa		H. Okawa	
		00.06.20		00.06.21	00.06.23
DRAWING NO.		PART NO.		RELEASED	
EDC3-152626-01		FX11A-80P-SVO.5(21)			
SCALE		CODE NO.			
2 : 1		CL573-0648-5-21			
UNITS		mm			
		HIROSE ELECTRIC CO., LTD			

TO	
PCK	