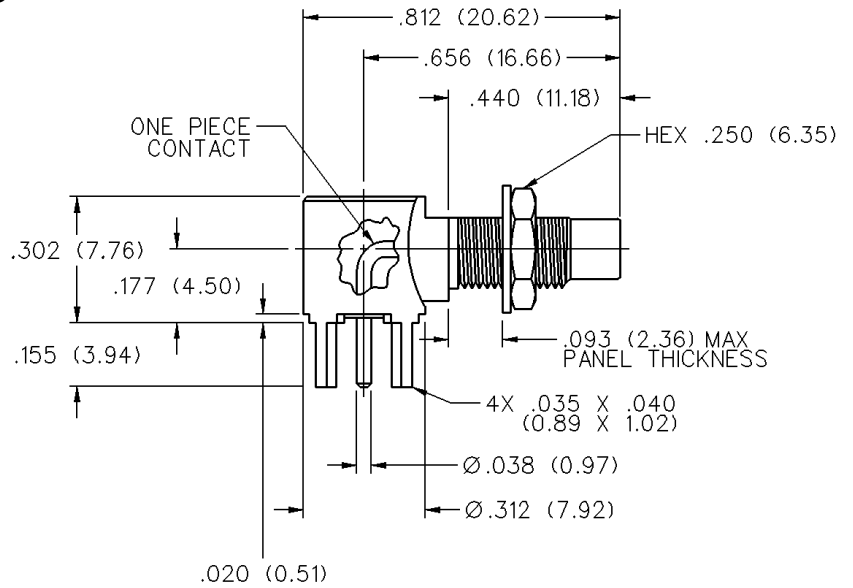
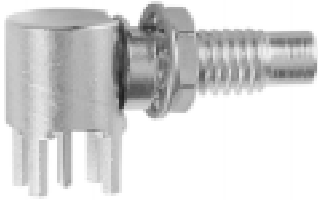


50 Ohm SMC Right Angle Bulkhead PC Mount Jack Receptacle



INCHES (MILLIMETERS)
CUSTOMER DRAWINGS AVAILABLE UPON REQUEST



GOLD PLATED	NICKEL PLATED
131-6701-341	131-6701-346

Mounting hole layouts

