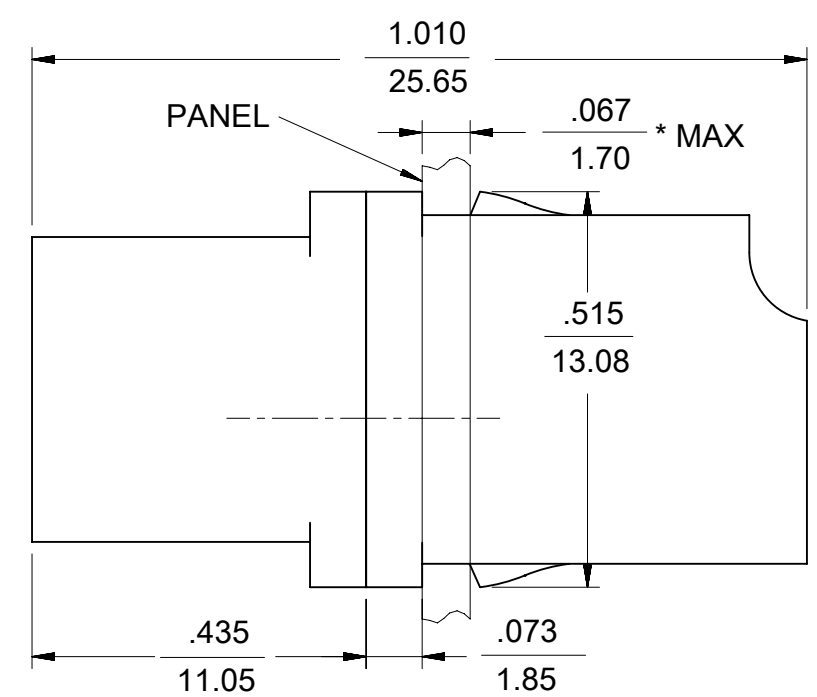
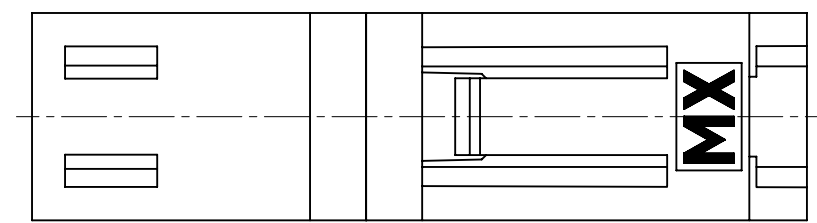
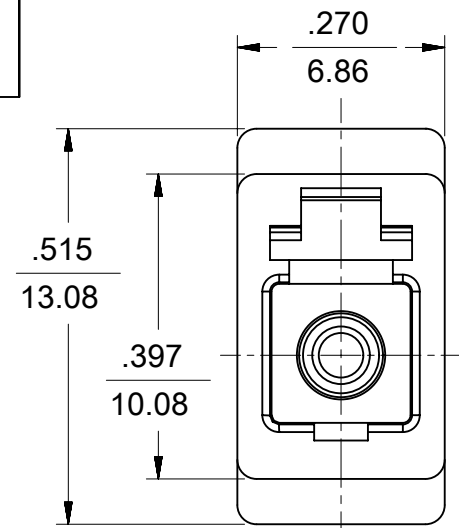
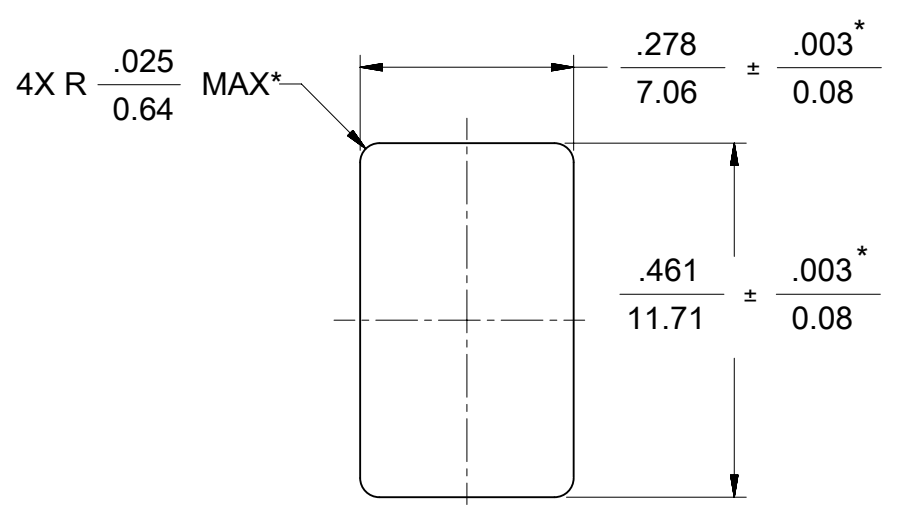
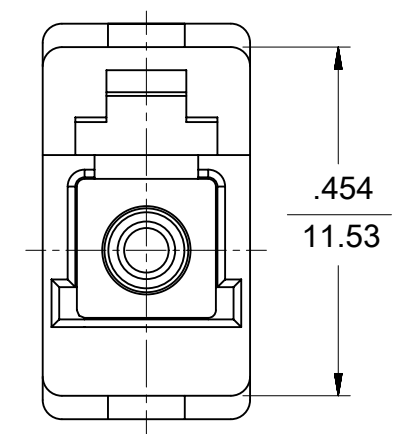


ADAPTER P/N	COLOR	SPLIT SLEEVE MATERIAL
106124-1000	BLUE	ZIRCONIA - ZrO ₂
106124-0010	BEIGE	
106124-1050	GREEN	
106124-0000	BLUE	
106124-1010	BEIGE	



(DUST CAPS ARE NOT SHOWN)



RECOMMENDED PANEL CUTOUT
 PANEL THICKNESS $\frac{.067}{1.70}$ MAX.

NOTES:
 1. ALL DIMENSIONS ARE FOR REFERENCE ONLY, EXCEPT WHEN MARKED WITH (*).

THIS DRAWING CONTAINS INFORMATION THAT IS PROPRIETARY TO MOLEX ELECTRONIC TECHNOLOGIES, LLC AND SHOULD NOT BE USED WITHOUT WRITTEN PERMISSION									
DIMENSION UNITS		SCALE		CURRENT REV DESC:					
IN/MM		4:1		EC NO: 652962 DRWN: SKRISHNAMU01 2021/05/28 CHK'D: WCHEN 2021/08/24 APPR: WCHEN 2021/08/24 INITIAL REVISION: DRWN: PGIPLIN 2005/10/03 APPR:					
GENERAL TOLERANCES (UNLESS SPECIFIED)									
	MM	INCH							
4 PLACES	±								
3 PLACES	±								
2 PLACES	±								
1 PLACE	±								
0 PLACES	±								
ANGULAR TOL ± 0.5°				PRODUCT CUSTOMER DRAWING DOCUMENT NUMBER: SD-106124-0000 DOC TYPE: PSD DOC PART: 001 REVISION: C					
DRAFT WHERE APPLICABLE MUST REMAIN WITHIN DIMENSIONS		THIRD ANGLE PROJECTION		DRAWING		SERIES		MATERIAL NUMBER	
				B-SIZE		106124		SEE TABLE	
CUSTOMER				GENERAL MARKET					
SHEET NUMBER				1 OF 1					

DOCUMENT STATUS	P1	RELEASE DATE	2021/08/24	01:00:13
-----------------	----	--------------	------------	----------