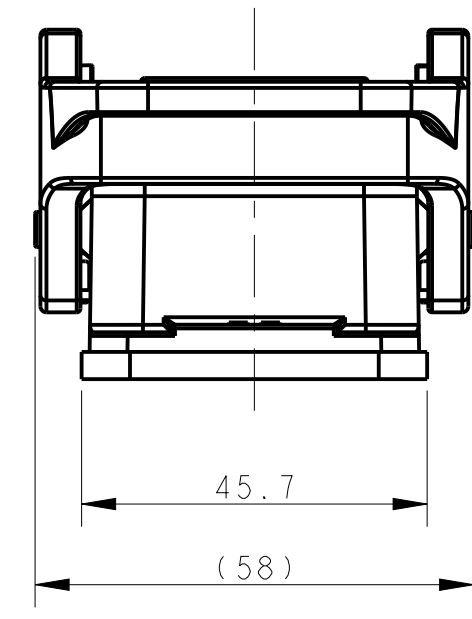
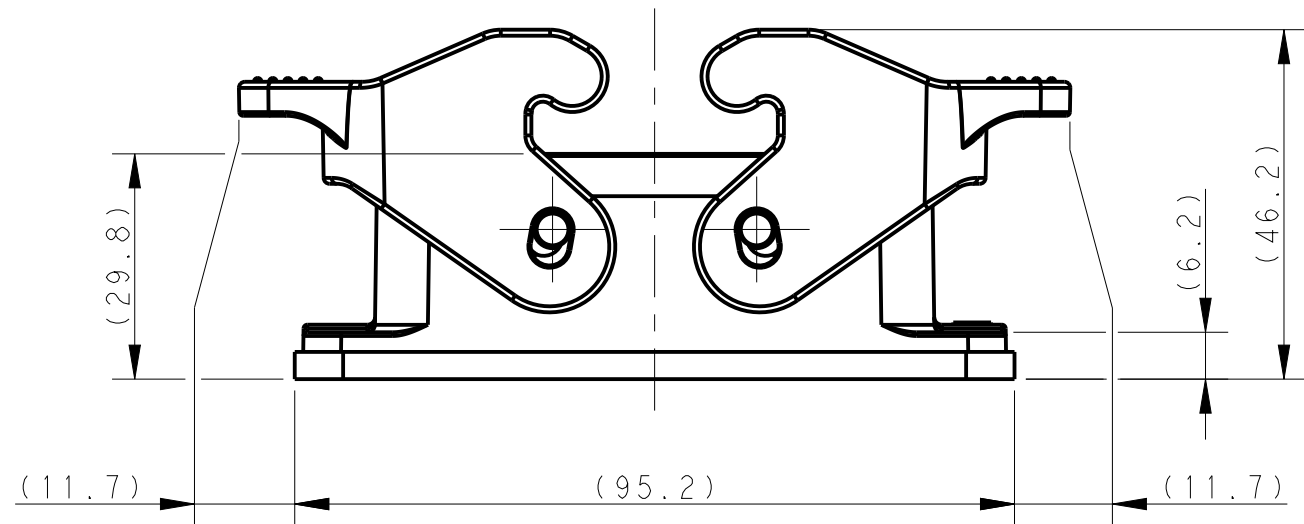


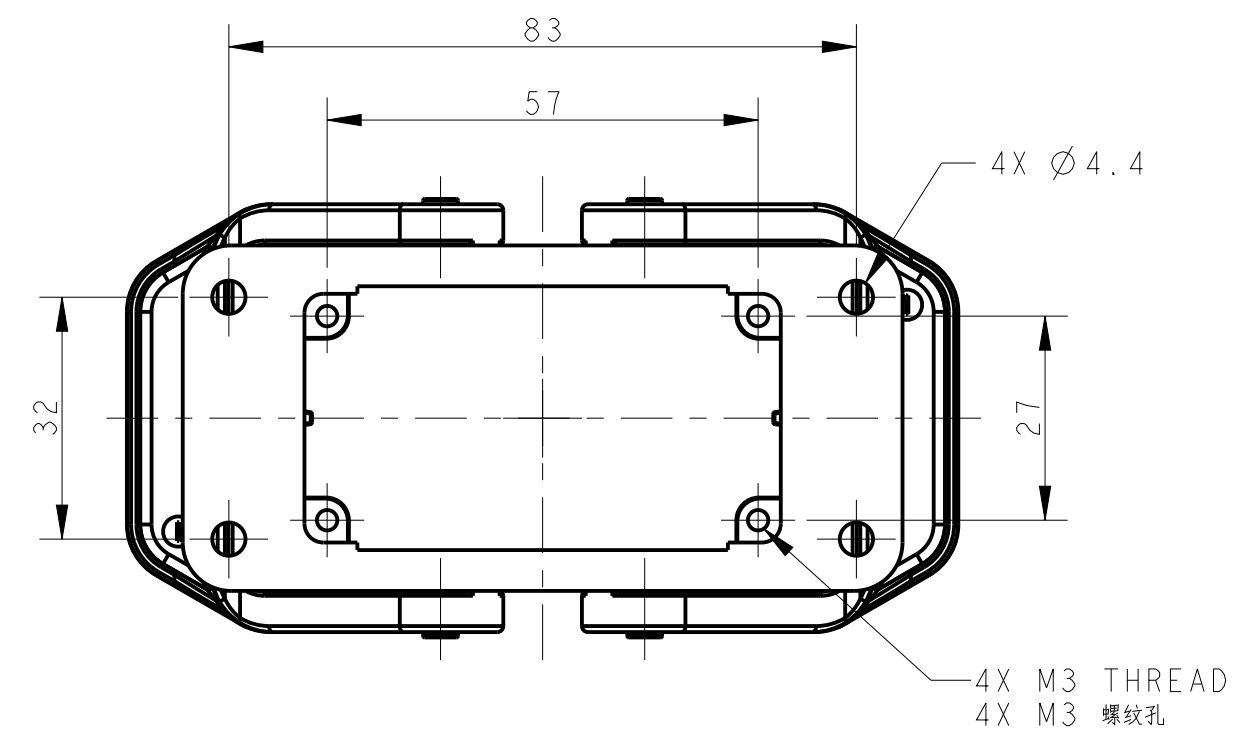
THIS DRAWING IS UNPUBLISHED. RELEASED FOR PUBLICATION 20
 © COPYRIGHT 20 BY - ALL RIGHTS RESERVED.

| REVISIONS | | | | |
|-----------|-----|-----------------|-----------|--------|
| P | LTR | DESCRIPTION | DATE | APVD |
| A | | INITIAL RELEASE | 06APR2017 | DW CW |
| B | | ECR-20-014388 | 26NOV2020 | WOR CW |

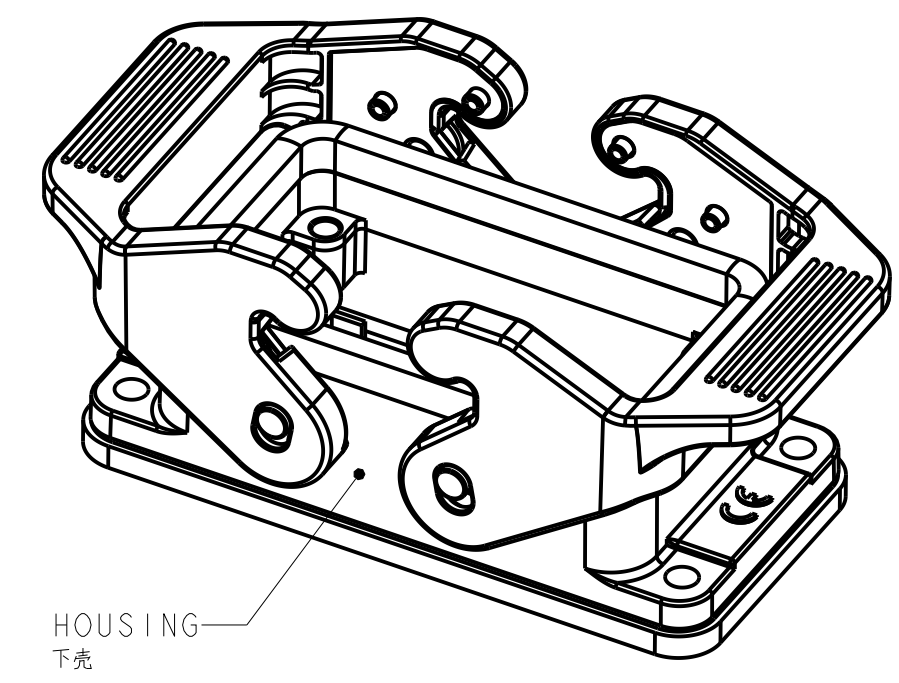
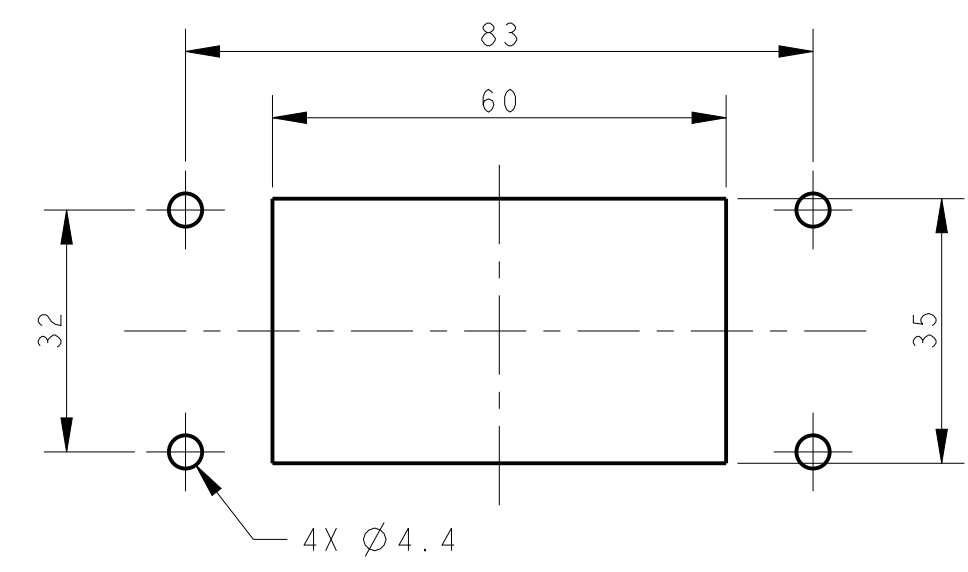


NOTES:
 1. TECHNICAL CHARACTERISTICS:
 HOUSING MATERIAL: DIE CAST ALUMINIUM ALLOY
 HOUSING SURFACE: POWDER COATED, GREY
 DEGREE OF PROTECTION: IP65 (MATED)

注释:
 1. 技术参数:
 下壳材料: 铝合金
 下壳表面处理: 灰色粉末涂层
 防护等级: IP65(配合)



PANEL CUT OUT DIMENSION, ONLY FOR REFERENCE
 面板开口尺寸, 仅供参考



| | | |
|---------------------|------------|---|
| TI410100000-000 | H10B-AG-SL | H10B HOUSING, BULKHEAD MOUNTED, PLASTIC DOUBLE LOCKING POWDER COATED, GREY H10B下壳, 开孔安装, 塑料双扣, 灰色粉末喷涂 |
| PART NUMBER 零件料号 | | PART DESCRIPTION 零件描述 |

| | | | |
|---|--|--|---|
| THIS DRAWING IS A CONTROLLED DOCUMENT. | | DWN 06APR2017 DAVID WANG | TE Connectivity NAME H10B-AG-SL |
| DIMENSIONS: mm | | CHK 06APR2017 CHRIS WANG | |
| TOLERANCES UNLESS OTHERWISE SPECIFIED: | | APVD 06APR2017 XIANG XU | |
| 0 PLC ±- 1 PLC ±- 2 PLC ±- 3 PLC ±- 4 PLC ±- ANGLES ±- FINISH - | | PRODUCT SPEC 108-137018 APPLICATION SPEC 114-137018 WEIGHT - | |
| MATERIAL - | | CUSTOMER DRAWING | SIZE A2 CAGE CODE 00779 DRAWING NO. C-T1410100000000 RESTRICTED TO SCALE 1:1 SHEET 1 OF 1 REV B |