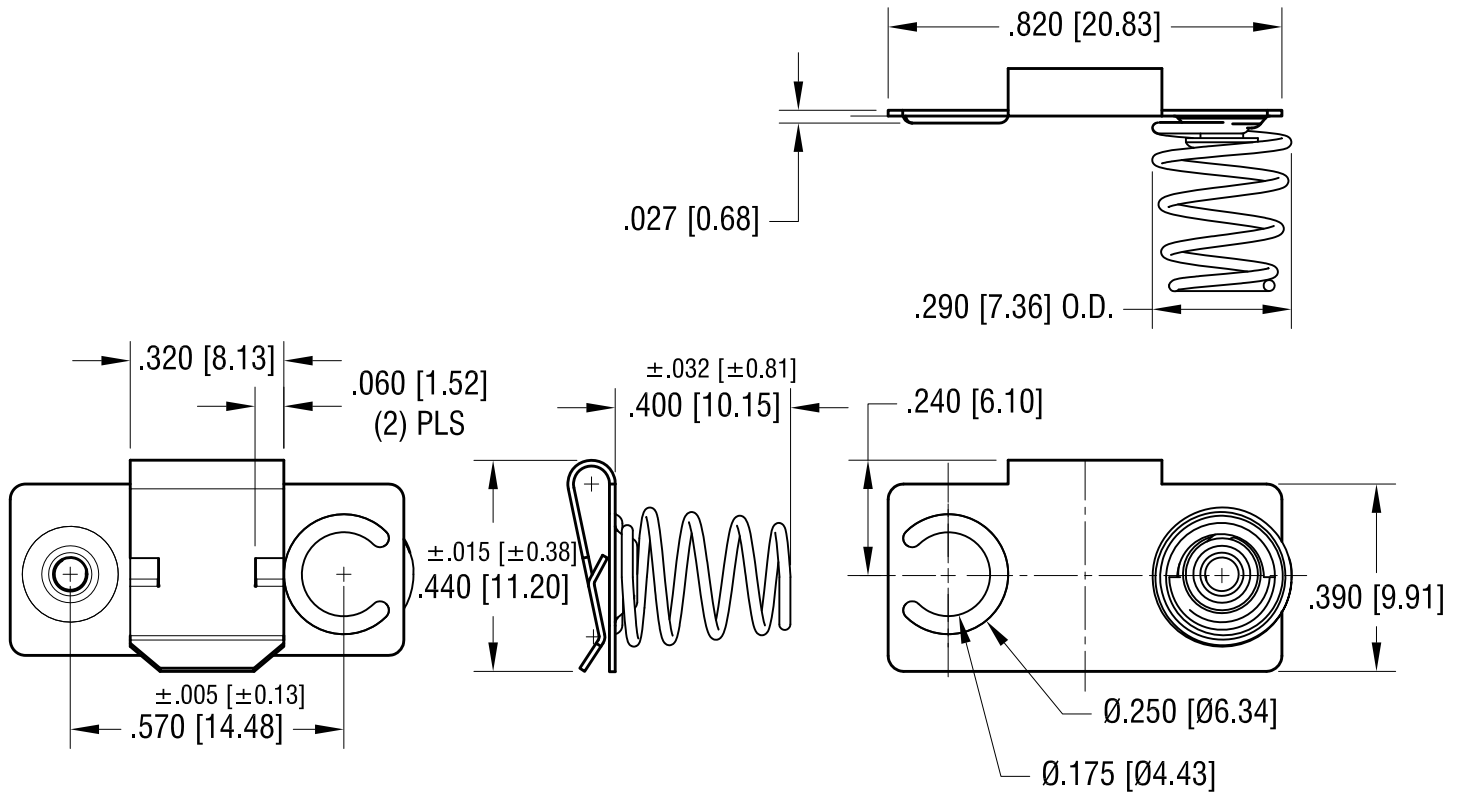


THIS DOCUMENT IS THE PROPERTY OF
KEYSTONE ELECTRONICS CORP. AND
SHALL NOT BE REPRODUCED, DISTRIBUTED
OR USED AS A BASIS FOR MANUFACTURE
WITHOUT PRIOR WRITTEN PERMISSION
FROM KEYSTONE ELECTRONICS CORP.

ACTUAL SIZE



NOTES:

1. BASE:
MAT'L - .012 [0.30] TH'K SPRING STEEL
2. SPRING CONTACT:
MAT'L - .023 [0.58DIA. MUSIC WIRE
3. SPRING EYELETED TO BASE

KEYSTONE ELECTRONICS CORP.			
www.keyelco.com • ASTORIA, N.Y. 11105-2017 • Tel (718) 956-8900			
PART NAME		M/F CONTACT FOR 'A'-'AA'	
MATERIAL		AS NOTED	
FINISH		DRN BY	DATE
NICKEL PLATE		NT	3.31.16
		APP'D	SCALE
			2.5X
TOLERANCES	INCH	[MM]	CODE
DECIMAL	± .010	[± 0.25]	C
ANGULAR	± 1°		
UNLESS OTHERWISE SPECIFIED			DWG NO.
			293

DATE	DESCRIPTION	REV.
------	-------------	------