

# Product data sheet

Specifications



## soft starter for asynchronous motor, ATS48, 21 A, 208..690 V, 5.5..18.5 KW

ATS48D22Y

! Discontinued on: 02 May 2023

! To be end-of-service on: 31 December 2030

! Discontinued - Service only

### Main

Range of product	Altistart 48
Product or component type	Soft starter
Product destination	Asynchronous motors
Product specific application	Heavy duty industry and pumps
Device short name	ATS48
Utilisation category	AC-53A
Ue power supply voltage	208...690 V - 15...10 %
Power supply frequency	50...60 Hz - 5...5 %
Motor power kW	11 kW at 400 V for standard applications 11 kW at 440 V for standard applications 11 kW at 500 V for standard applications 11 kW at 525 V for standard applications 11 kW at 660 V for severe applications 15 kW at 660 V for standard applications 15 kW at 690 V for severe applications 4 kW at 230 V for severe applications 9 kW at 500 V for severe applications 9 kW at 525 V for severe applications 7.5 kW at 400 V for severe applications 7.5 kW at 440 V for severe applications 18.5 kW at 690 V for standard applications 5.5 kW at 230 V for standard applications
Motor power hp	10 hp at 460 V for severe applications 15 hp at 460 V for standard applications 15 hp at 575 V for severe applications 20 hp at 575 V for standard applications 3 hp at 208 V for severe applications 5 hp at 208 V for standard applications 5 hp at 230 V for severe applications 7.5 hp at 230 V for standard applications

### Complementary

Device connection	In the motor supply line
Protection type	Phase failure: line Thermal protection: motor Thermal protection: starter
Standards	EN/IEC 60947-4-2
Product certifications	CSA SEPRO UL GOST NOM 117 TCF CCC

C-Tick  
DNV

<b>Marking</b>	CE
<b>Discrete input number</b>	5
<b>Discrete input type</b>	PTC, 750 Ohm at 25 °C (Stop, Run, LI3, LI4) logic, <= 8 mA 4300 Ohm
<b>Discrete input logic</b>	Positive logic Stop, Run, LI3, LI4 at State 0: < 5 V and <= 2 mA at State 1: > 11 V, >= 5 mA
<b>Minimum switching current</b>	10 mA at 6 V DC for relay outputs
<b>Discrete output number</b>	2
<b>Discrete output type</b>	(LO1) logic output 0 V common configurable (LO2) logic output 0 V common configurable (R1) relay outputs fault relay NO (R2) relay outputs end of starting relay NO (R3) relay outputs motor powered NO
<b>Analogue output type</b>	Current output AO: 0-20 mA or 4-20 mA, impedance <500 Ohm
<b>Communication port protocol</b>	Modbus
<b>Connector type</b>	1 RJ45
<b>Communication data link</b>	Serial
<b>Physical interface</b>	RS485 multidrop
<b>Transmission rate</b>	4800, 9600 or 19200 bps
<b>Function available</b>	External bypass (optional)
<b>Operating position</b>	Vertical +/- 10 degree
<b>Height</b>	275 mm
<b>Width</b>	160 mm
<b>Depth</b>	190 mm
<b>Net weight</b>	4.9 kg

## Environment

<b>Electromagnetic compatibility</b>	Conducted and radiated emissions level A conforming to IEC 60947-4-2 Conducted and radiated emissions level B conforming to IEC 60947-4-2 Damped oscillating waves level 3 conforming to IEC 61000-4-12 Electrostatic discharge level 3 conforming to IEC 61000-4-2 Immunity to electrical transients level 4 conforming to IEC 61000-4-4 Immunity to radiated radio-electrical interference level 3 conforming to IEC 61000-4-3 Voltage/current impulse level 3 conforming to IEC 61000-4-5
<b>Relative humidity</b>	0...95 % without condensation or dripping water conforming to EN/IEC 60068-2-3
<b>Ambient air temperature for operation</b>	40...60 °C (with current derating of 2 % per °C) -10...40 °C (without derating)
<b>Ambient air temperature for storage</b>	-25...70 °C
<b>Operating altitude</b>	<= 1000 m without derating > 1000...2000 m with current derating of 2.2 % per additional 100 m

## Packing Units

<b>Unit Type of Package 1</b>	PCE
<b>Number of Units in Package 1</b>	1
<b>Package 1 Height</b>	29 cm
<b>Package 1 Width</b>	26 cm
<b>Package 1 Length</b>	37 cm
<b>Package 1 Weight</b>	6.053 kg
<b>Unit Type of Package 2</b>	P06
<b>Number of Units in Package 2</b>	8

Package 2 Height	73.5 cm
Package 2 Width	80 cm
Package 2 Length	60 cm
Package 2 Weight	61.424 kg

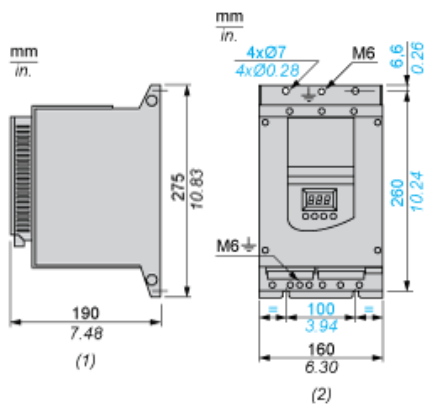
## Offer Sustainability

Sustainable offer status	Green Premium product
REACH Regulation	<a href="#">REACH Declaration</a>
EU RoHS Directive	Pro-active compliance (Product out of EU RoHS legal scope) <a href="#">EU RoHS Declaration</a>
Mercury free	Yes
China RoHS Regulation	<a href="#">China RoHS declaration</a>
RoHS exemption information	Yes
Environmental Disclosure	<a href="#">Product Environmental Profile</a>
Circularity Profile	<a href="#">End of Life Information</a>
WEEE	The product must be disposed on European Union markets following specific waste collection and never end up in rubbish bins
California proposition 65	WARNING: This product can expose you to chemicals including: Lead and lead compounds, which is known to the State of California to cause cancer and birth defects or other reproductive harm. For more information go to <a href="http://www.P65Warnings.ca.gov">www.P65Warnings.ca.gov</a>

## Contractual warranty

Warranty	18 months
----------	-----------

Dimensions



(1) Right View

(2) Front View

**Clearance**

---



**Recommended replacement(s)**

ATS48D22Y is replaced by:

1x



Altivar Soft Starter ATS480, 22 A, 208...690V AC, control supply 110...230V AC  
ATS480D22Y