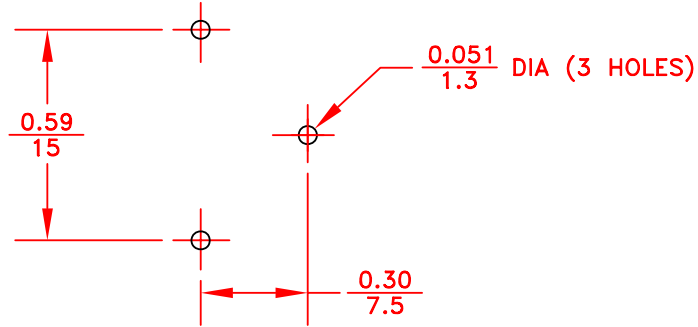
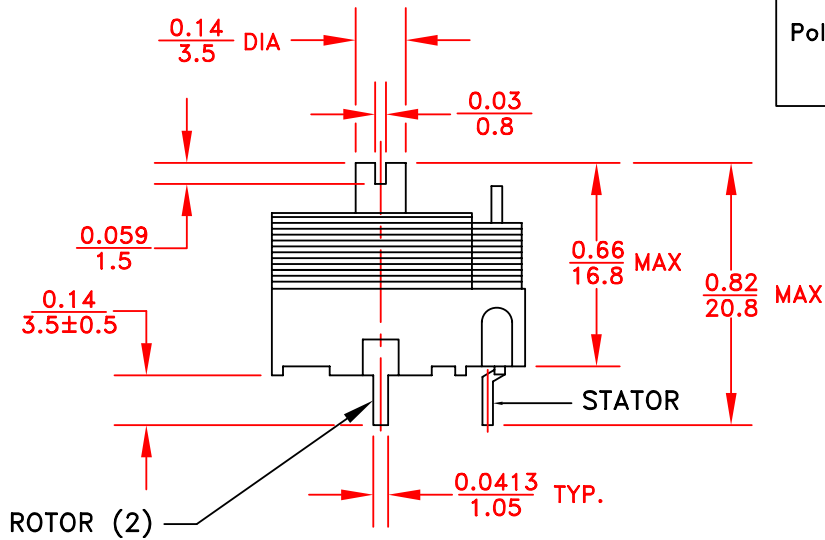
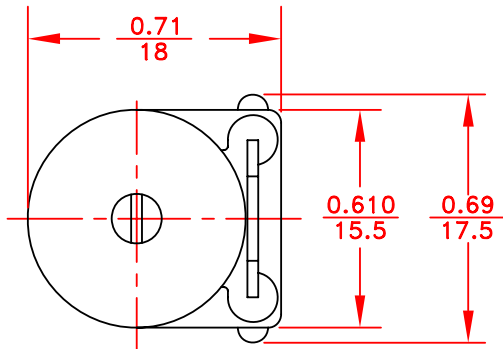


REV	DESCRIPTION	DATE	APP
00	NEW DRAWING	04/03/19	



SUGGESTED MOUNTING HOLES LAYOUT

Dielectric	Model No.	Capacitance Range		Qmin @1Nhz	TCC PPM/°C	Color Code
		Min	Max			
Polycarbonate PC	GZN20100	15.0pF	200.0pF	200	0±300	Orange Red
	GZN30100	18.0pF	300.0pF			
PTFE	GZN25100	15.0pF	250.0pF	1000	-100±200	Green
Polycarbonate PC	GZN43100	23.0pF	430.0pF	200	0±350	Violet Grey Grey
	GZN60100	26.0pF	600.0pF	100		
	GZN77100	29.0pF	770.0pF	100		

**SPECIFICATIONS:**

1. Working Voltage: 150 VDC.
2. Dielectric Withstanding Voltage: 300 VDC.
3. Insulation Resistance:  $\geq 10^4$  Mohms.
4. Contact Resistance: 0.01 Ohms max.
5. Operating Temperature: -40°C to +85°C.
6. Torque: 0.35 to 3.5 oz-in/25.2 to 233 g-cm.
7. Dimensions in inches/mm.

TOLERANCES: (EXCEPT AS NOTED)		SPRAGUE GOODMAN ELECTRONICS INC. 1700 SHAMES DRIVE WESTBURY, NY 11590		
DECIMAL: $\pm 0.005$ in $\pm 0.125$ mm	MATERIAL:	SCALE: 2:1	DRAWN BY: R. LEVIN	
FRACTIONAL: 1/64	TITLE: TRIMMER CAPACITOR		APPROVED: I. DITLYA	
ANGULAR: 1°	DATE: 04/03/19	DRAWING NUMBER GZN Series	USED FOR: REV. 00	