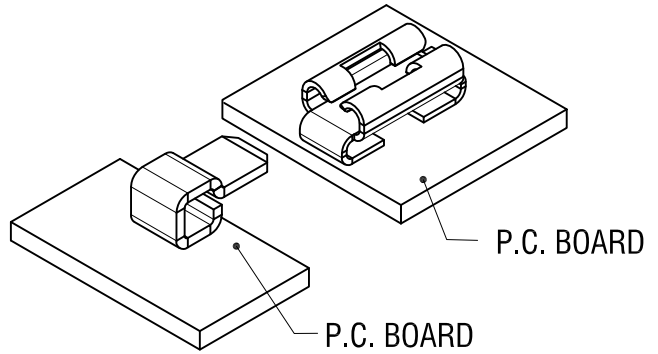
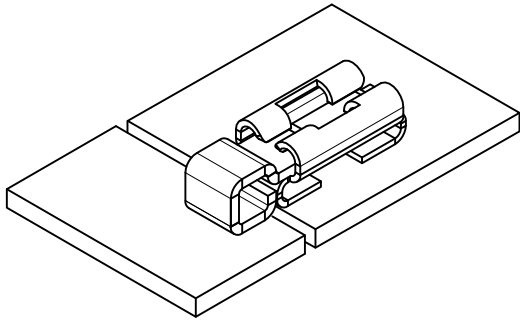


THIS DOCUMENT IS THE PROPERTY OF KEYSTONE ELECTRONICS CORP. AND SHALL NOT BE REPRODUCED, DISTRIBUTED OR USED AS A BASIS FOR MANUFACTURE WITHOUT PRIOR WRITTEN PERMISSION FROM KEYSTONE ELECTRONICS CORP.

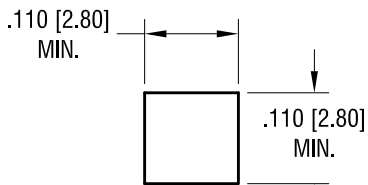
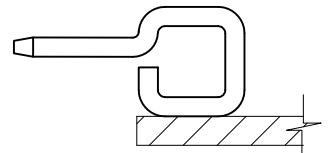
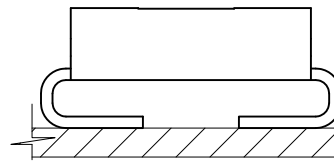
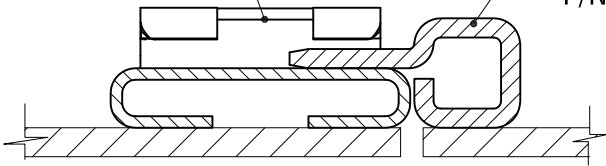


P.C. BOARD

P.C. BOARD

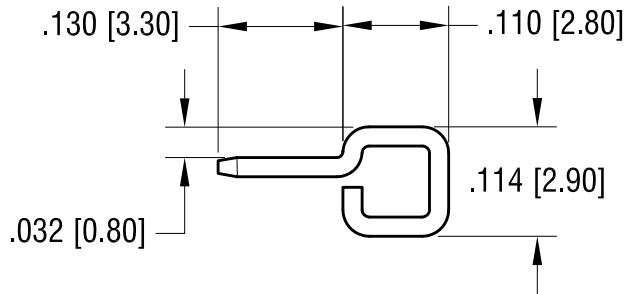
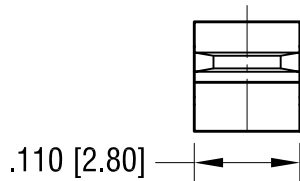
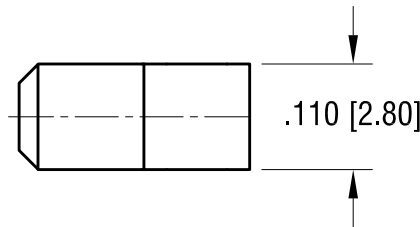
QUICK-FIT
P/N 3569

PIN
P/N 3579



MOUNTING PAD DETAIL

ACTUAL SIZE



KEYSTONE ELECTRONICS CORP.

www.keyelco.com • NEW HYDE PARK, NY 11040 • Tel (516) 328-7500

PART NAME
PARALLEL FITTING SM PIN

MATERIAL
.020 [0.50] TH'K BRASS

FINISH MATTE TIN PLATE	DRN BY NT	DATE 3.12.19
	APP'D RH	SCALE 5X

4.13.20 CHANGE AS PER ECN 20-037

A

TOLERANCES	INCH	[MM]	CODE
DECIMAL	$\pm .005$	$[\pm 0.13]$	C
ANGULAR	$\pm 1^\circ$		
UNLESS OTHERWISE SPECIFIED			

DRN BY
NT

DATE
3.12.19

APP'D
RH

SCALE
5X

DWG NO.
3579

DATE	DESCRIPTION	REV.