

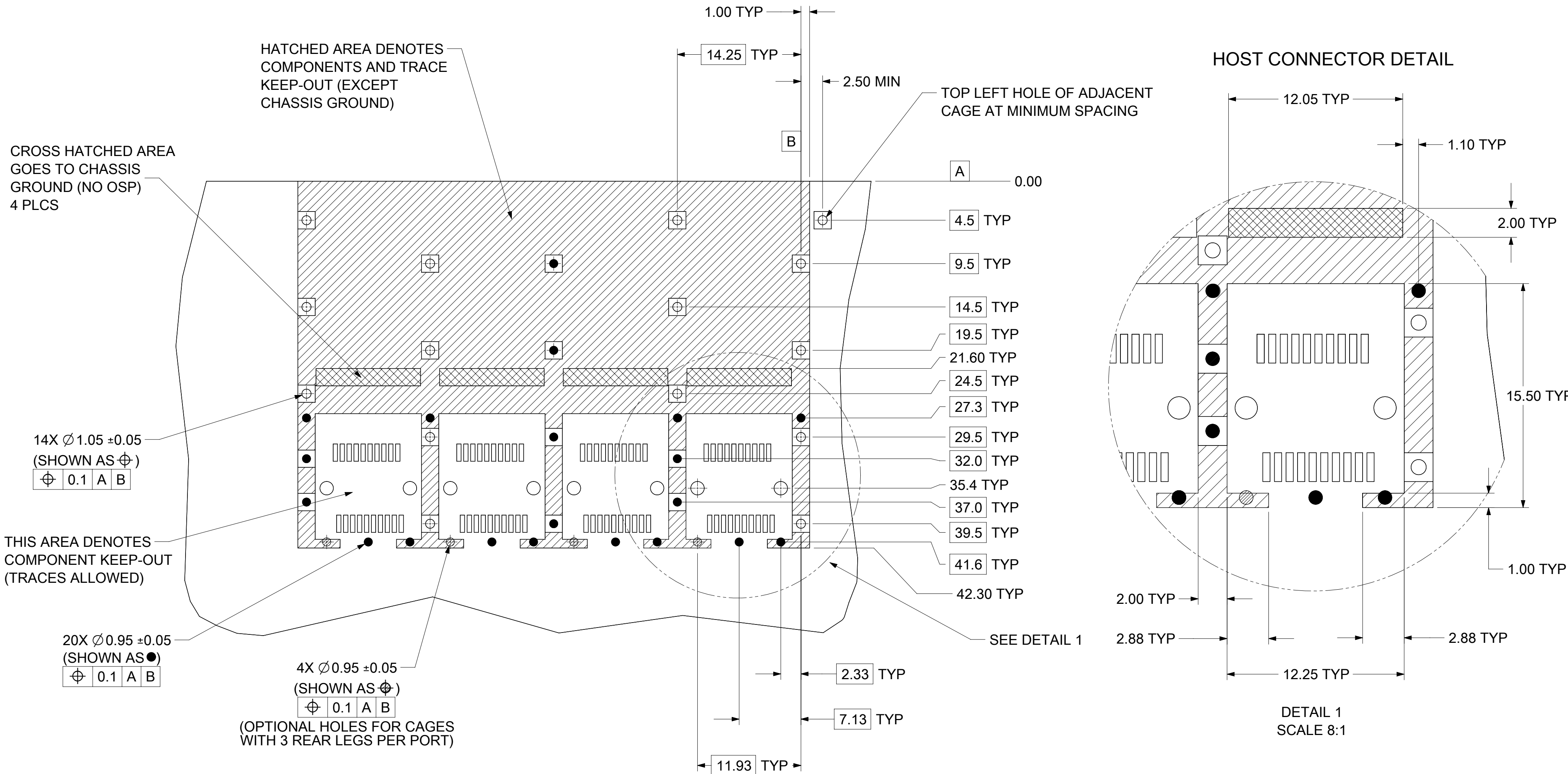
PART NO. AND WEEK/YEAR DATE CODE TO BE PRINTED ON THE BACK OF COMPLETED CAGE ASSEMBLY APPROXIMATELY AS SHOWN ON 100114 SERIES CAGE ASSEMBLIES

WEEK/YEAR DATE CODE TABLE	
WW	01 THRU 52 OR 53 EXAMPLE: 01 = FIRST WEEK OF YEAR 52 = LAST WEEK OF YEAR
YY	22, 23, 24 ETC. EXAMPLE: YEAR 2022 = 22

- NOTES:**
- MATERIAL:**  
CAGE: 0.25mm THICK COPPER ALLOY, NICKEL PLATED.  
SPRING FINGERS: STAINLESS STEEL.
  - PRESS FIT LEGS 3.05mm LONG:**
  - PORTS ARE DESIGNED FOR SFP+ TRANSCEIVERS AND ARE COMPATIBLE WITH SFP TRANSCEIVERS. THE TOP SURFACE OF THE MODULE MUST BE FLAT (NO PRODUCT LABEL RECESS) AND THERMALLY CONDUCTIVE TO FUNCTION OPTIMALLY.**
  - WELD SPOT MAY SHOW SLIGHT MATERIAL DISCOLORATION.**
  - NO RoHS EXEMPTIONS.**

FUNCTIONAL SYMBOLS		THIS DRAWING CONTAINS INFORMATION THAT IS PROPRIETARY TO MOLEX ELECTRONIC TECHNOLOGIES, LLC AND SHOULD NOT BE USED WITHOUT WRITTEN PERMISSION		CURRENT REV DESC: SEE REVISION TABLE		
$\nabla_A = 0$	mm	SCALE	2:1	<p><b>molex</b></p> <p>ZSFP+ 1X4 SF CAGE ASSY'S, PRESS FIT TYPE, W/SUS SF UNDER BELLY GASKET.</p>		
$\nabla_C = 0$	GENERAL TOLERANCES (UNLESS SPECIFIED)		EC NO: 707505			
$\nabla_P = 0$	ANGULAR TOL ± 1.0°		DRWN: PKH 2022/04/08			
DIVISIONAL SYMBOLS		4 PLACES ±		CHK'D: TKUMARKC 2022/05/20		
		3 PLACES ±		APPR: SCHIEN 2022/05/20		
		2 PLACES ± 0.15		INITIAL REVISION:		
		1 PLACE ± 0.25		DRWN: PKH 2022/04/08		
		0 PLACES ±		APPR: SCHIEN 2022/05/20		
DRAFT WHERE APPLICABLE MUST REMAIN WITHIN DIMENSIONS		THIRD ANGLE PROJECTION	DRAWING	SERIES	MATERIAL NUMBER	
			C-SIZE	100114	1001147420	
					CUSTOMER	
					GENERAL MARKET	
					SHEET NUMBER	
					1 OF 5	

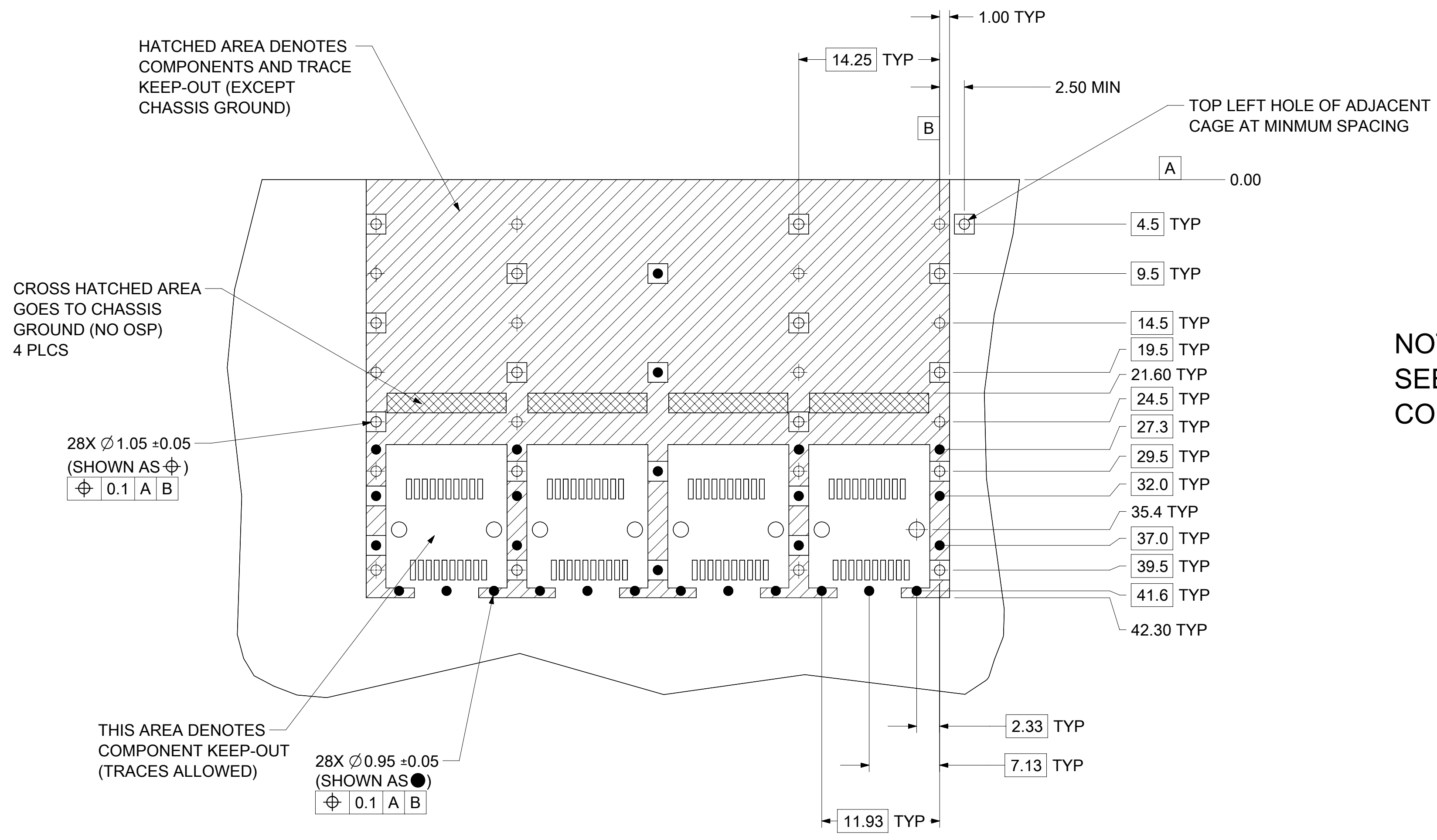
# PCB LAYOUT FOR SINGLE SIDE MOUNT



- NOTES:**
1. PADS AND VIAS CONNECT TO CHASSIS GROUND (RECOMMENDED PADS TO BE 2.00mm SQUARE)
  2. RECOMMENDED THRU HOLE PLATING INCLUDES HASL, OSP, OR IMMERSION (GOLD, SILVER, OR TIN)
  3. CONNECTOR PAD LAYOUT PER SFP+ MSA WILL ACCOMMODATE MOLEX CONNECTOR SERIES 170382 OR EQUIVALENT
  4. HOLE PATTERN REPEATS FOR EACH PORT, SPACING BETWEEN PORTS IS 14.25mm
  5. MINIMUM PCB THICKNESS FOR SINGLE SIDED USE 1.57mm.

FUNCTIONAL SYMBOLS	THIS DRAWING CONTAINS INFORMATION THAT IS PROPRIETARY TO MOLEX ELECTRONIC TECHNOLOGIES, LLC AND SHOULD NOT BE USED WITHOUT WRITTEN PERMISSION		CURRENT REV DESC: SEE REVISION TABLE					
	DIMENSION UNITS	SCALE	EC NO: 707505					
$\overline{A} = 0$	mm	3:1	DRWN: PKH 2022/04/08		ZSFP+ 1X4 SF CAGE ASSY'S, PRESS FIT TYPE, W/SUS SF UNDER BELLY GASKET.			
$\overline{C} = 0$	GENERAL TOLERANCES (UNLESS SPECIFIED)		CHK'D: TKUMARKC 2022/05/20					
$\overline{P} = 0$	ANGULAR TOL $\pm 1.0^\circ$		APPR: SCHIEN 2022/05/20		PRODUCT CUSTOMER DRAWING			
DIVISIONAL SYMBOLS	4 PLACES $\pm$		INITIAL REVISION:		DOCUMENT NUMBER	DOC TYPE	DOC PART	REVISION
	3 PLACES $\pm$		DRWN: PKH 2022/04/08		1001147420	PSD	ASY	A
	2 PLACES $\pm 0.15$		APPR: SCHIEN 2022/05/20		MATERIAL NUMBER	CUSTOMER	SHEET NUMBER	
	1 PLACE $\pm 0.25$				1001147420	GENERAL MARKET	2 OF 5	
	0 PLACES $\pm$							
	DRAFT WHERE APPLICABLE MUST REMAIN WITHIN DIMENSIONS		THIRD ANGLE PROJECTION	DRAWING	SERIES			
				C-SIZE	100114			

# PCB LAYOUT FOR BELLY TO BELLY MOUNTING

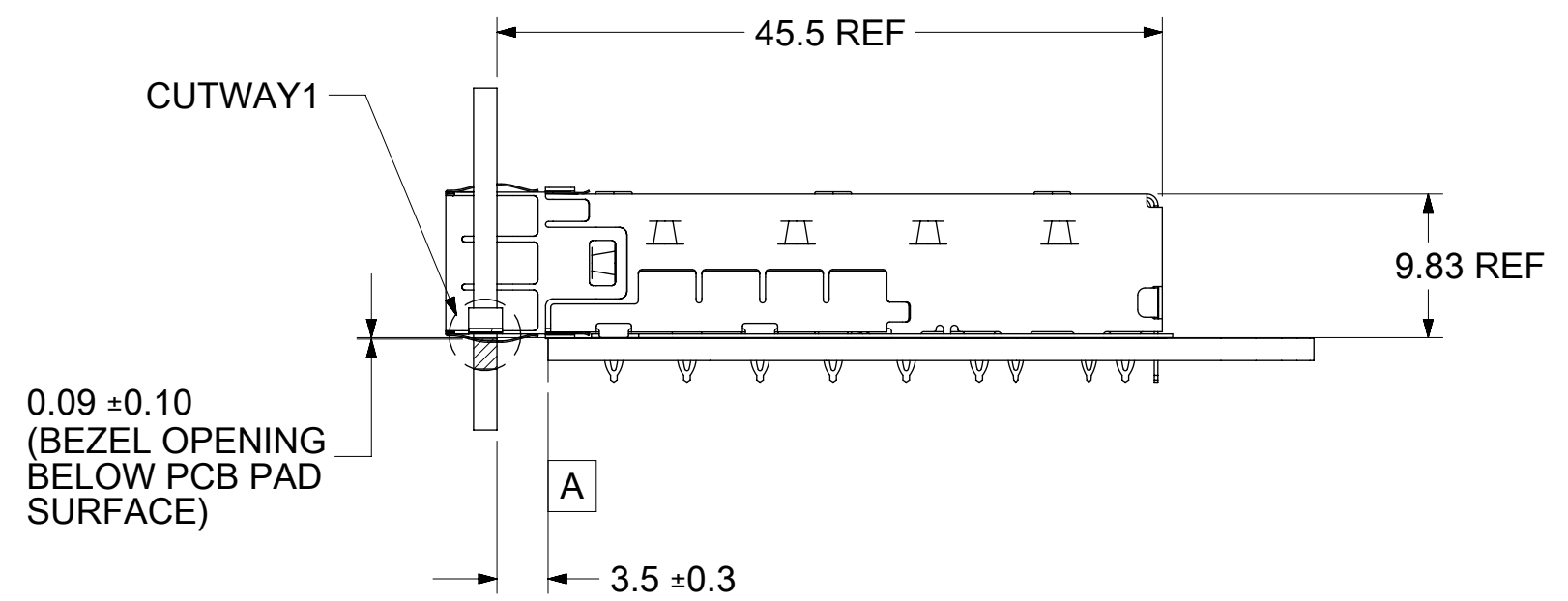
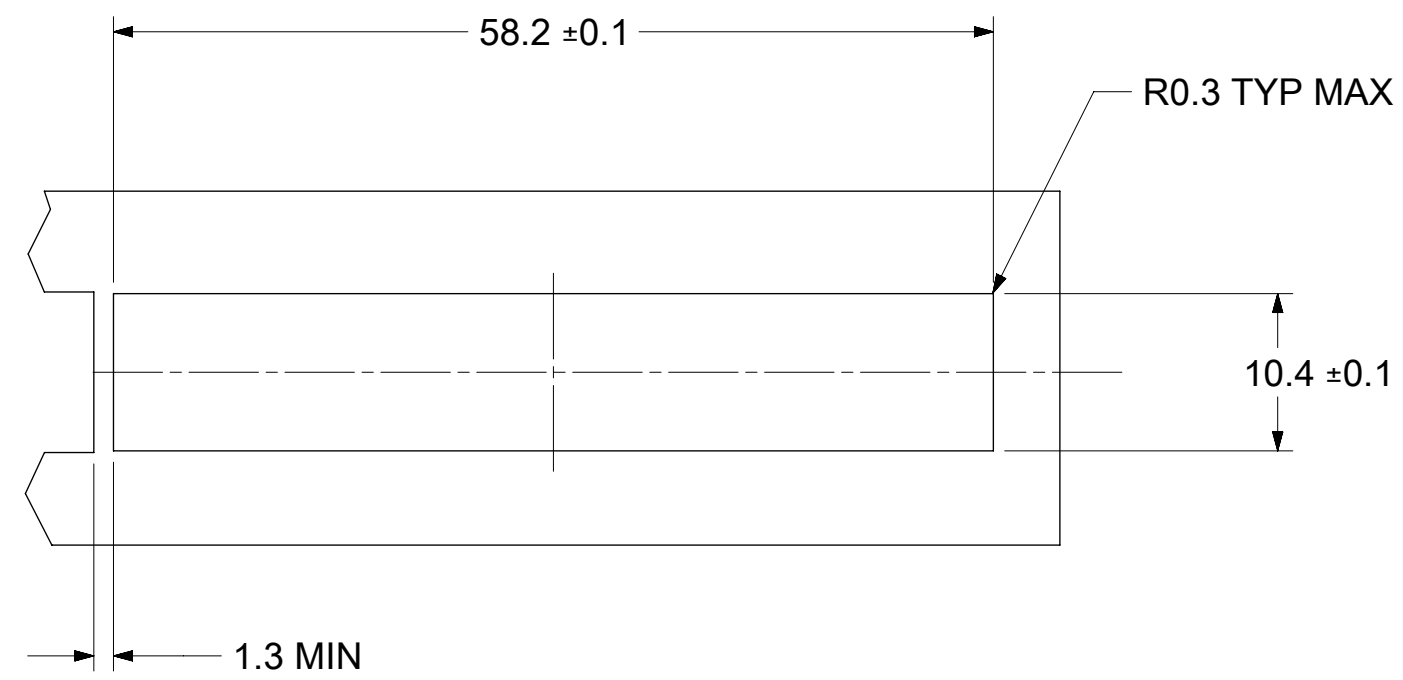


**NOTE:**  
SEE SHEET 2 FOR HOST CONNECTOR DETAIL

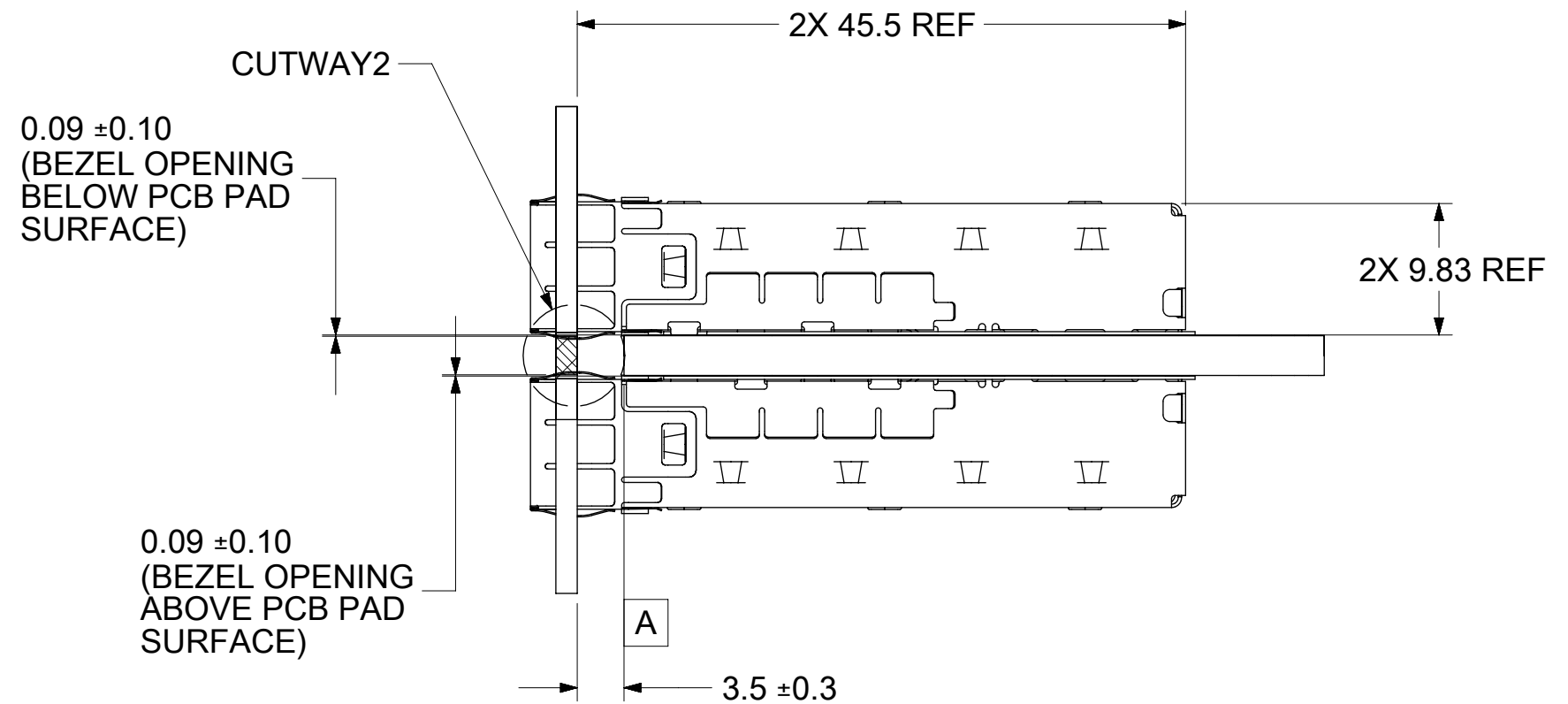
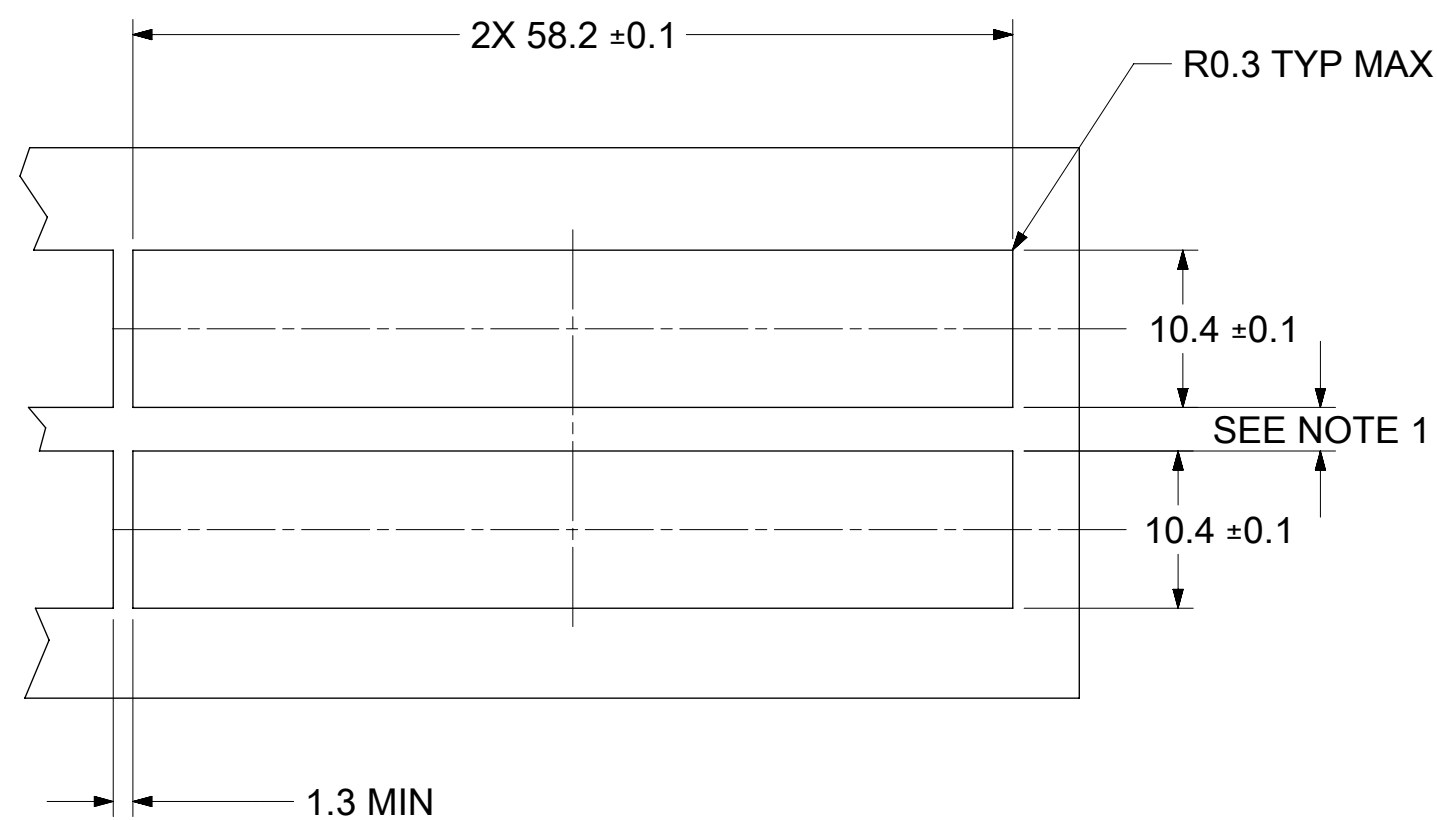
- NOTES:**
- PADS AND VIAS CONNECT TO CHASSIS GROUND (RECOMMENDED PADS TO BE 2.00mm SQUARE)
  - RECOMMENDED THRU HOLE PLATING INCLUDES HASL, OSP, OR IMMERSION (GOLD, SILVER, OR TIN)
  - CONNECTOR PAD LAYOUT PER SFP+ MSA WILL ACCOMMODATE MOLEX CONNECTOR SERIES 170382 OR EQUIVALENT
  - HOLE PATTERN REPEATS FOR EACH PORT, SPACING BETWEEN PORTS IS 14.25mm
  - MINIMUM PCB THICKNESS FOR BELLY TO BELLY USE 3.00mm.

FUNCTIONAL SYMBOLS	THIS DRAWING CONTAINS INFORMATION THAT IS PROPRIETARY TO MOLEX ELECTRONIC TECHNOLOGIES, LLC AND SHOULD NOT BE USED WITHOUT WRITTEN PERMISSION		CURRENT REV DESC: SEE REVISION TABLE		<b>molex</b>
	DIMENSION UNITS	SCALE			
$\frac{F}{A} = 0$	mm	3:1			ZSFP+ 1X4 SF CAGE ASSY'S, PRESS FIT TYPE, W/SUS SF UNDER BELLY GASKET.
$\frac{F}{C} = 0$	GENERAL TOLERANCES (UNLESS SPECIFIED)				
$\frac{F}{P} = 0$	ANGULAR TOL $\pm 1.0^\circ$				PRODUCT CUSTOMER DRAWING
DIVISIONAL SYMBOLS	4 PLACES	$\pm$	EC NO: 707505	2022/04/08	
	3 PLACES	$\pm$	DRWN: PKH	2022/05/20	DOCUMENT NUMBER
	2 PLACES	$\pm 0.15$	CHK'D: TKUMARKC	2022/05/20	
	1 PLACE	$\pm 0.25$	APPR: SCHIEN	2022/05/20	DOC TYPE
	0 PLACES	$\pm$	INITIAL REVISION:		DOC PART
	DRAFT WHERE APPLICABLE MUST REMAIN WITHIN DIMENSIONS		DRWN: PKH	2022/04/08	REVISION
	THIRD ANGLE PROJECTION		APPR: SCHIEN	2022/05/20	PSD
	DRAWING		SERIES	MATERIAL NUMBER	CUSTOMER
	C-SIZE		100114	1001147420	GENERAL MARKET
					SHEET NUMBER
					3 OF 5

## BEZEL AND BOARD POSITION DIMENSIONS FOR SINGLE SIDE MOUNTING (SPRING FINGER)



## BEZEL AND BOARD POSITION DIMENSIONS FOR BELLY TO BELLY MOUNTING (SPRING FINGER)



**NOTE:**  
 1. PCB THICKNESS VARIATION MUST BE CONSIDERED WHEN DETERMINING BEZEL OPENING LOCATION.  
 2. CAGE LEG STANDOFF WILL PIERCE BELLY GASKET WHEN PROPERLY PRESSED INTO PCB.

FUNCTIONAL SYMBOLS	THIS DRAWING CONTAINS INFORMATION THAT IS PROPRIETARY TO MOLEX ELECTRONIC TECHNOLOGIES, LLC AND SHOULD NOT BE USED WITHOUT WRITTEN PERMISSION		
	DIMENSION UNITS	SCALE	CURRENT REV DESC: SEE REVISION TABLE
$\frac{E}{A} = 0$	mm	2:1	EC NO: 707505 DRWN: PKH 2022/04/08 CHK'D: TKUMARKC 2022/05/20 APPR: SCHIEN 2022/05/20
$\frac{E}{C} = 0$	GENERAL TOLERANCES (UNLESS SPECIFIED)		
$\frac{E}{P} = 0$	ANGULAR TOL ± 1.0°		INITIAL REVISION: DRWN: PKH 2022/04/08 APPR: SCHIEN 2022/05/20
DIVISIONAL SYMBOLS	4 PLACES	±	
	3 PLACES	±	PRODUCT CUSTOMER DRAWING
	2 PLACES	± 0.15	
	1 PLACE	± 0.25	DOCUMENT NUMBER
	0 PLACES	±	1001147420
	DRAFT WHERE APPLICABLE MUST REMAIN WITHIN DIMENSIONS		DOC TYPE
	THIRD ANGLE PROJECTION		PSD
	DRAWING		DOC PART
	C-SIZE		ASY
	SERIES		REVISION
	100114		A
	MATERIAL NUMBER	CUSTOMER	SHEET NUMBER
	1001147420	GENERAL MARKET	4 OF 5

REV	DATE	DESCRIPTION
A	2022/05/20	INITIAL RELEASE

<b>FUNCTIONAL SYMBOLS</b> FA = 0 FC = 0 FP = 0 <b>DIVISIONAL SYMBOLS</b> 3 PLACES ± 2 PLACES ± 0.15 1 PLACE ± 0.25 0 PLACES ± DRAFT WHERE APPLICABLE MUST REMAIN WITHIN DIMENSIONS	THIS DRAWING CONTAINS INFORMATION THAT IS PROPRIETARY TO MOLEX ELECTRONIC TECHNOLOGIES, LLC AND SHOULD NOT BE USED WITHOUT WRITTEN PERMISSION		DIMENSION UNITS: <b>mm</b>		SCALE: <b>1:1</b>	CURRENT REV DESC: SEE REVISION TABLE				
	GENERAL TOLERANCES (UNLESS SPECIFIED)		ANGULAR TOL ± 1.0°		EC NO: 707505 DRWN: PKH 2022/04/08 CHK'D: TKUMARKC 2022/05/20 APPR: SCHIEN 2022/05/20		<div style="text-align: center;"><b>molex</b></div> ZSFP+ 1X4 SF CAGE ASSY'S, PRESS FIT TYPE, W/SUS SF UNDER BELLY GASKET.			
	PRODUCT CUSTOMER DRAWING		INITIAL REVISION: DRWN: PKH 2022/04/08 APPR: SCHIEN 2022/05/20							
	DOCUMENT NUMBER: <b>1001147420</b>		DOC TYPE: <b>PSD</b>	DOC PART: <b>ASY</b>	REVISION: <b>A</b>		MATERIAL NUMBER: 1001147420		CUSTOMER: GENERAL MARKET	