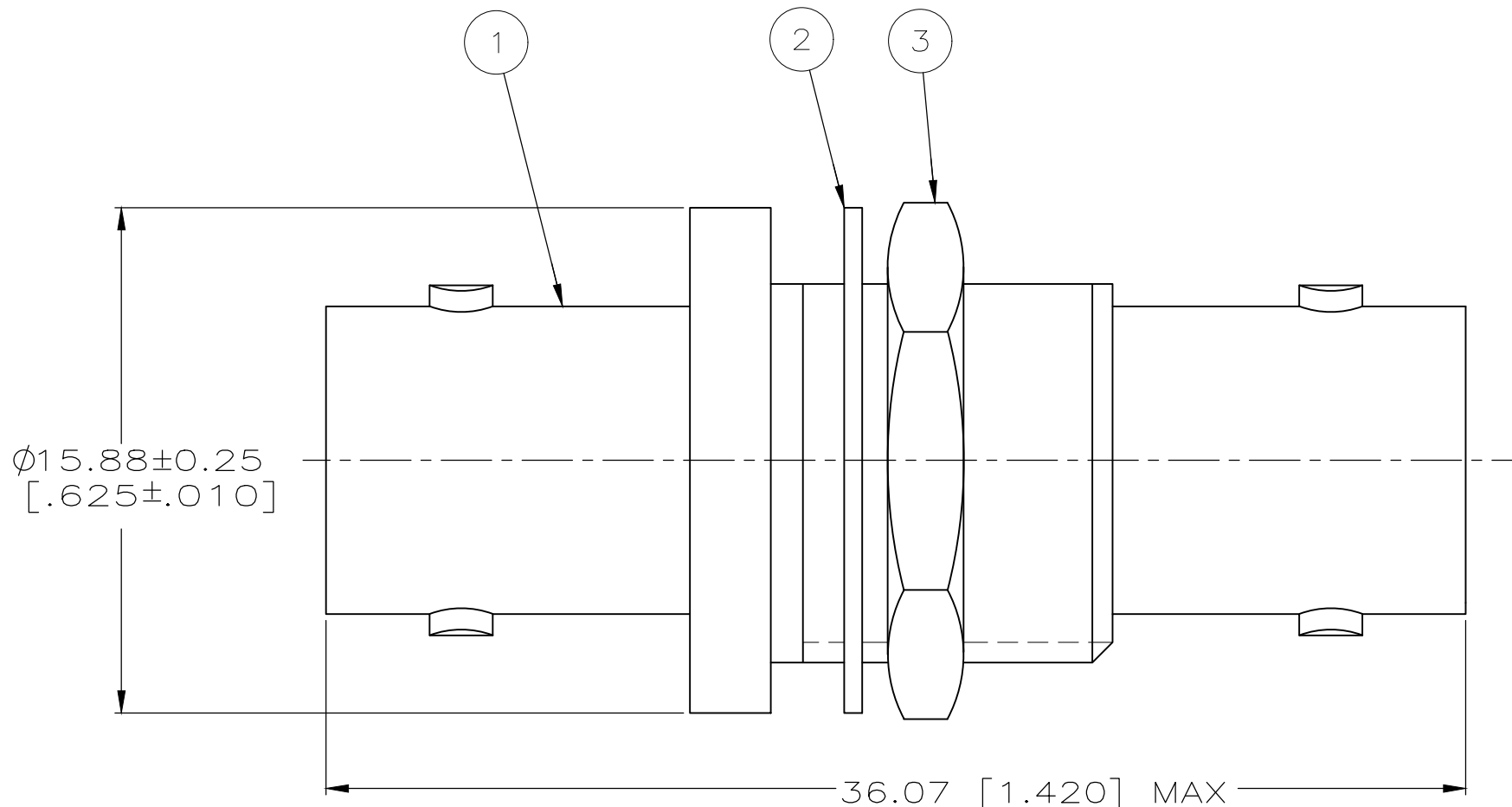


4
DRAWING MADE IN THIRD ANGLE PROJECTION

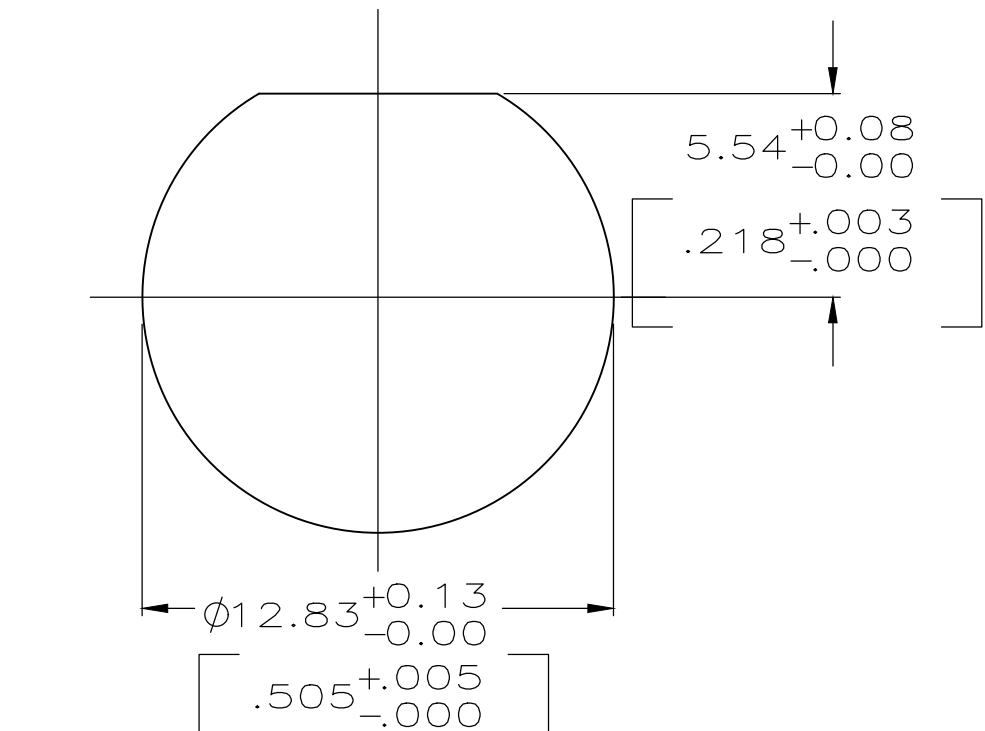
THIS DRAWING IS UNPUBLISHED. RELEASED FOR PUBLICATION ,19 .
 © COPYRIGHT 19 BY AMP INCORPORATED. ALL INTERNATIONAL RIGHTS RESERVED.

LOC	DIST	P	F	REVISIONS				
				ZONE	LTR	DESCRIPTION	DATE	APPD
AJ	16	✓	✓	O		RELEASED PER 90-3140-003	6-10-91	MS
		✓	✓	A		REV PER AJ-5833	11/05/91	BM
		✓	✓	B		ADDED -2 PER 92-3586-003	5-27-92	MS
		✓	✓	C		REV PER AJ-6374	6-4-92	MS
				D		OBSOLETE -2 PER 0503-0285-96	5-19-97	JG
				D1		OBSOLETE -1 ECR-18-008435	11-JUN-18	RZ



1. PANEL THICKNESS 6.34 [.250] MAX.

SUPERSEDE TO 5414105-1



OBSOLETE	SILVER	1-329631-2	1-329632-2	414136-2	414105-2
OBSOLETE	GOLD	1-329631-2	1-329632-2	414136-1	414105-1
CONTACT FINISH		3 JAM NUT QTY=1	2 LOCKWASHER QTY=1	1 JACK ASSY QTY=1	PART NO

RECOMMENDED PANEL CUTOUT

DO NOT SCALE PRINT. UNLESS SPECIFIED. DIMENSIONS IN mm [INCHES]			PART NO		
TOLERANCES ON:			AMP Incorporated Harrisburg, PA 17105-3608		
2 PLC DEC ± -			NAME JACK, ADAPTER, BHD, 50 OHM, ISOLATED, BNC		
3 PLC DEC ± -			SIZE B		
ANGLES ± -			CAGE CODE 00779		
MATERIAL -			DRAWING NO 414105		
FINISH -			SCALE 5:1		
DR 6-10-91 M. SNEED			SHEET 1 OF 1		
CHK 6-10-91 R. HENRY					
APPD 6-10-91 R. HENRY					
APPD 6-10-91 M. SNEED					
PRODUCT SPEC -					
APPLICATION SPEC -					
WEIGHT -					