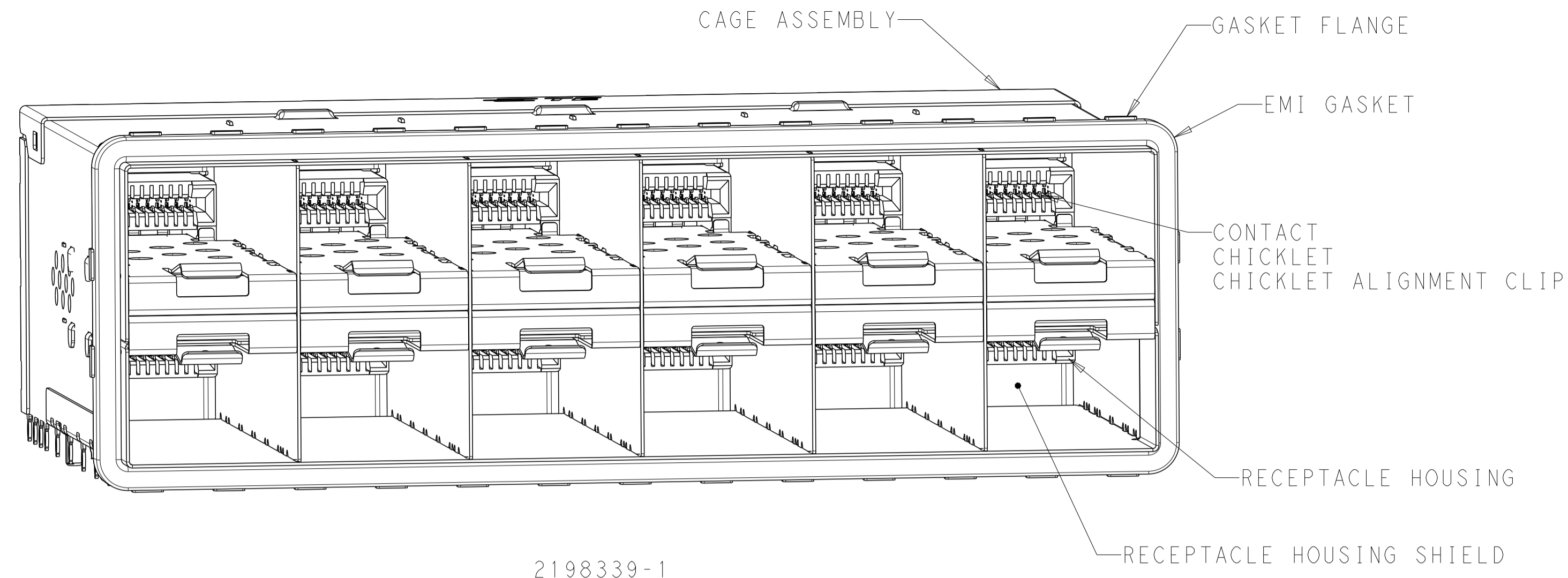


LOC	DIST	REVISIONS			
P	LTN	DESCRIPTION	DATE	OWN	APVD
B1		REVISED PER ECO-16-004263	10AUG2015	PP	SH
B1		REVISED PER ECO-16-004263	17MAR2016	KO	SH
B2		REVISED PER ECO-16-013988	05SEP2016	PP	SH
C		REVISED PER ECN-22-166164	26JUL2022	IT	SZ



2198339-1
 SCALE 3:1

- MATERIALS:
 CAGE ASSEMBLY - NICKEL-SILVER ALLOY PER ASTM B 122
 CONNECTOR HOUSING - LCP, BLACK, UL 94V-0 RATED
 CONNECTOR HOUSING SHIELD - COPPER ALLOY
 CHICKLET - LCP, BLACK, UL 94V-0 RATED
 CHICKLET ALIGNMENT CLIP - PBT
 CONTACT - COPPER ALLOY
 EMI GASKET - ELASTOMERIC
 GASKET FLANGE - STAINLESS STEEL
 EMI SPRINGS - PHOSPHOR BRONZE PER ASTM B 103, 0.8µm MIN TIN PER ASTM B 545
 LIGHT PIPE - POLYCARBONATE
 LIGHT PIPE HOUSING - ZINC ALLOY

- CONTACT FINISH:
 CONFORMS TO THE REQUIREMENTS OF PRODUCT SPECIFICATION 108-2481, BASED ON EIA/ECA-364-1000.01A, (CONTROLLED ENVIRONMENT APPLICATIONS) ON MATING INTERFACE, TIN ON NEEDLE EYE

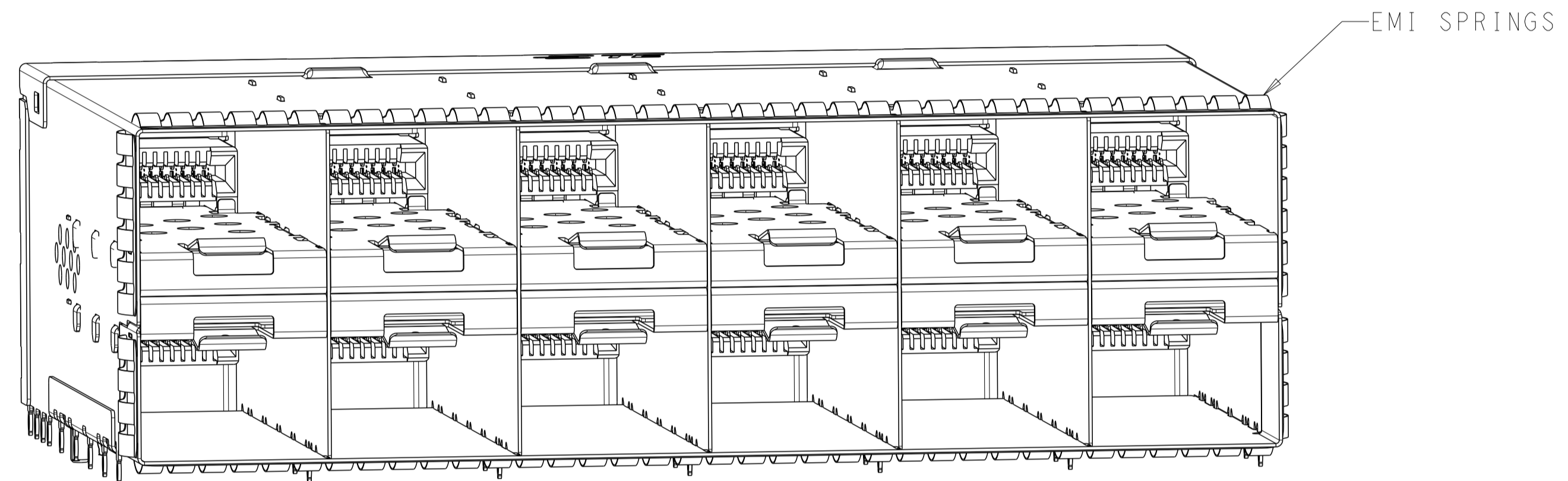
3. PCB MINIMUM THICKNESS = 1.5mm

⚠ FOR HOLE SIZE AND PLATINGS, SEE APPLICATION SPECIFICATION 114-13319

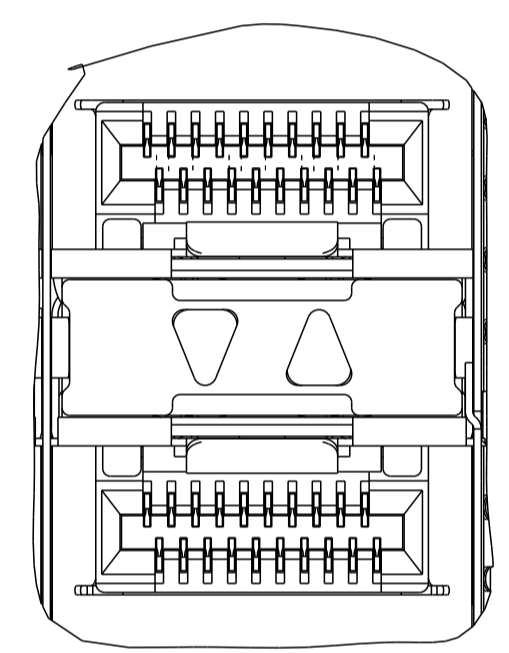
⚠ LIGHT PIPE PAD LAYOUT IS FOR 0805 LOW PROFILE LED PACKAGE WITH A HEIGHT OF 0.8mm

⚠ DIMENSIONS APPLY FOR EMI SPRINGS ONLY

⚠ THE ENTIRE AREA OF THE CONNECTOR FOOTPRINT, INDICATED BY THE DASHED LINE, TO BE CONSIDERED THE KEEPOUT AREA FOR COMPONENTS AND SIGNAL TRACES, TOP SIDE ONLY, TOP SIDE TRACES ALLOWED WITHIN CONNECTOR HOLE PATTERN

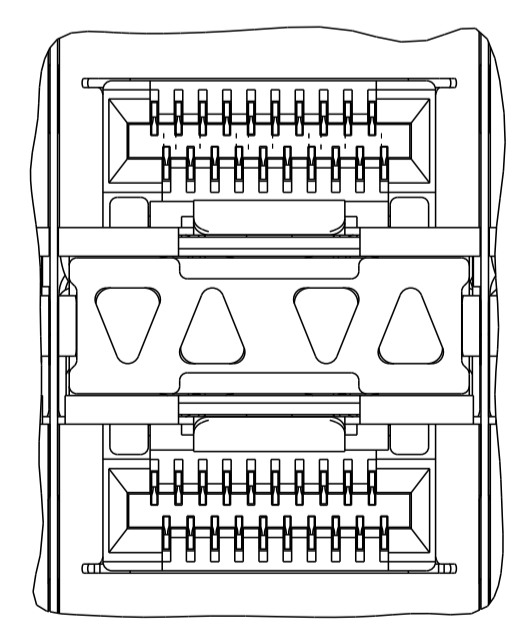


2198339-5
 SCALE 3:1

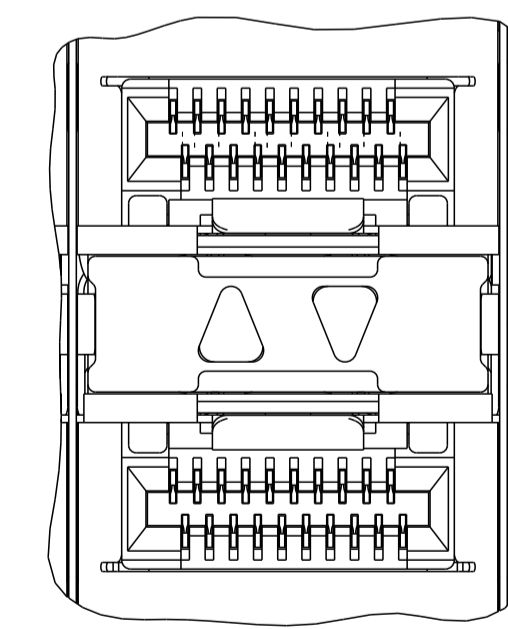


REVERSED INNER LIGHT PIPES
 2-2198339-1
 SCALE 4:1

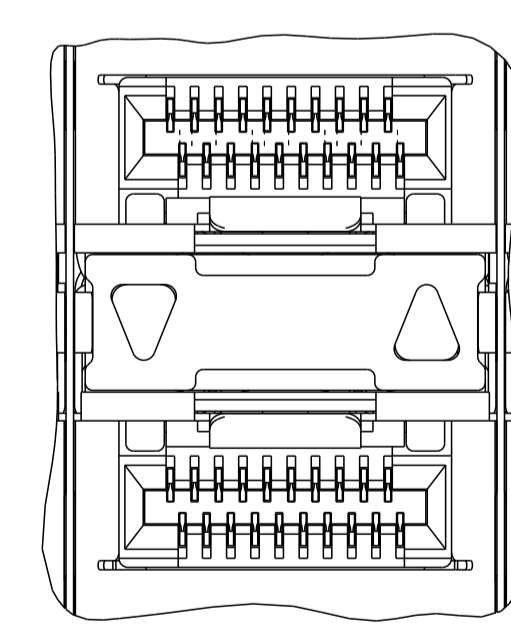
88	EMI SPRING AIRFLOW ENHANCE TYPE	NONE	3-2198339-1
90.75	EMI GASKET AIRFLOW ENHANCE TYPE	NONE	3-2198339-0
88	EMI SPRINGS	REVERSED INNER	2-2198339-1
		REVERSED OUTER	2-2198339-0
		CENTER/REVERSED OUTER	1-2198339-9
90.75	EMI GASKET	REVERSED OUTER	1-2198339-8
		CENTER/REVERSED OUTER	1-2198339-7
88	NICKEL PLATED ONLY EMI SPRING	2 OUTER SLOTS INNER REVERSED	1-2198339-4
88	EMI SPRINGS	OUTER	2198339-8
		INNER	2198339-7
		INNER/OUTER	2198339-6
		NONE	2198339-5
90.75	EMI GASKET	OUTER	2198339-4
		INNER	2198339-3
		INNER/OUTER	2198339-2
		NONE	2198339-1
(E)	CAGE TYPE	LIGHT PIPE CONFIGURATION	PART NUMBER



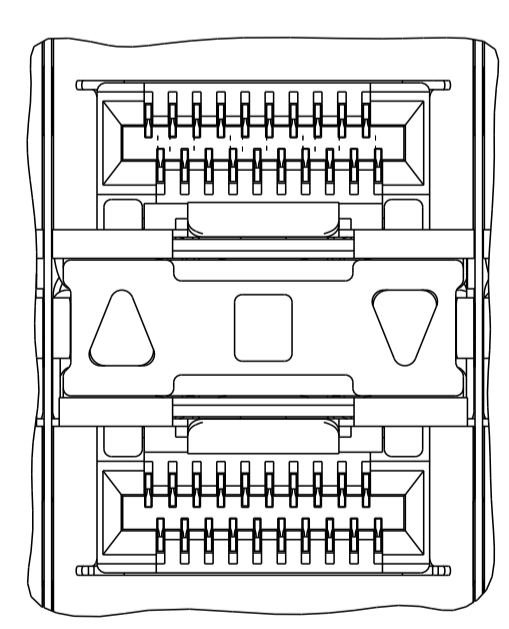
INNER/OUTER LIGHT PIPES
 2198339-2, 2198339-6
 SCALE 4:1



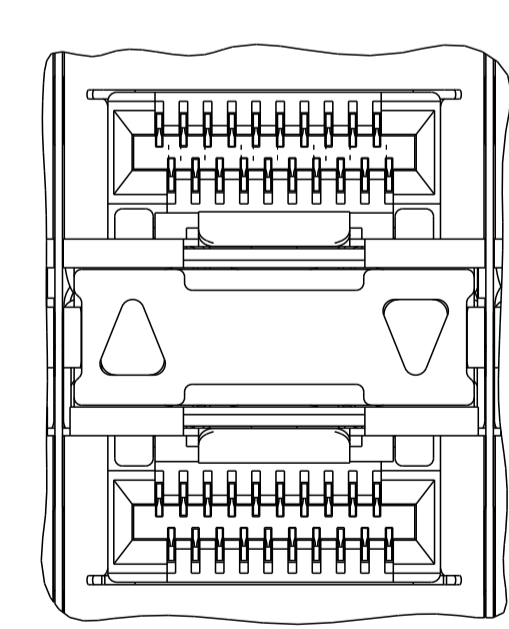
INNER LIGHT PIPES
 2198339-3, 2198339-7
 SCALE 4:1



OUTER LIGHT PIPES
 2198339-4, 2198339-8
 SCALE 4:1



CENTER/REVERSED OUTER
 1-2198339-7, 1-2198339-9
 SCALE 4:1



REVERSED OUTER
 1-2198339-8, 2-2198339-0
 SCALE 4:1

THIS DRAWING IS A CONTROLLED DOCUMENT. OWN: M.E. CONNER 07DEC2011
 CHK: M.D. MORRISON 13DEC2011
 APVD: M.D. MORRISON 13DEC2011
 NAME: RECEPTACLE ASSEMBLY, 2X6 STACKED, 2SFP+

STE TE Connectivity

SIZE: A1 00779 C=2198339
 SCALE: 4:1 SHEET 1 OF 6 REV C

PRODUCT SPEC: 108-2481
 APPLICATION SPEC: 114-13319

MATERIAL: SEE NOTES
 FINISH: SEE NOTES

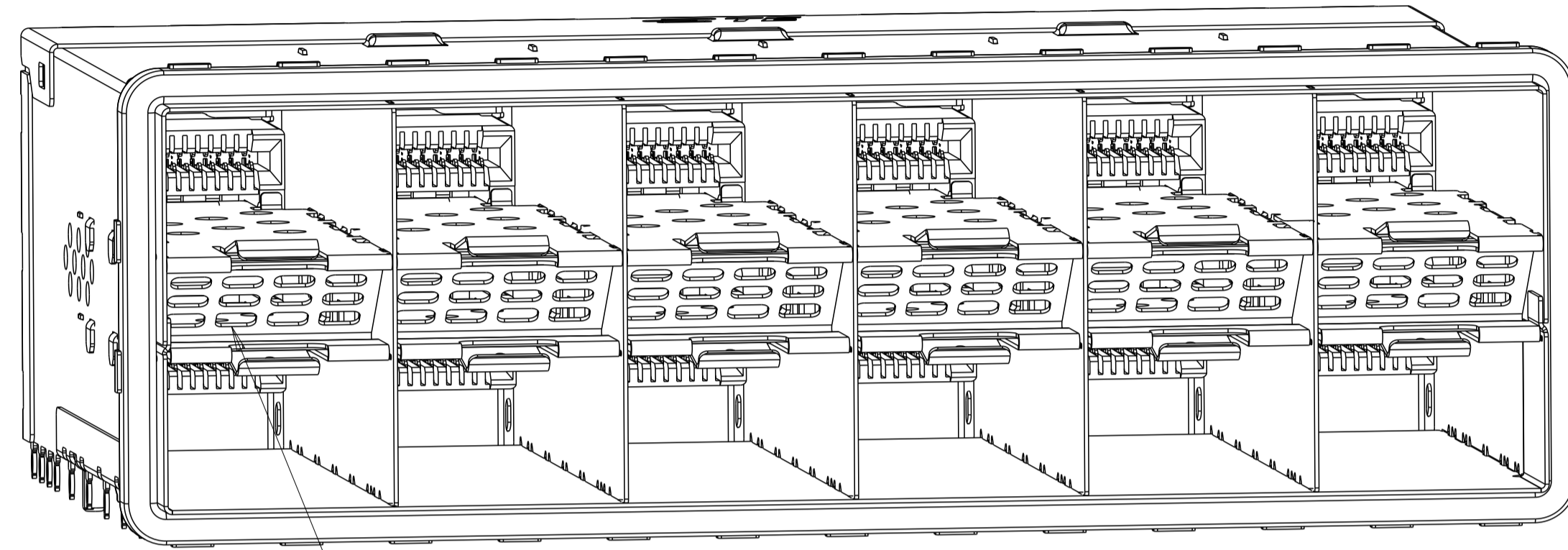
TOLERANCES UNLESS OTHERWISE SPECIFIED:
 0 PLC ±
 1 PLC ±0.20
 2 PLC ±0.15
 3 PLC ±0.10
 4 PLC ±
 ANGLES ±°

RESTRICTED TO: -

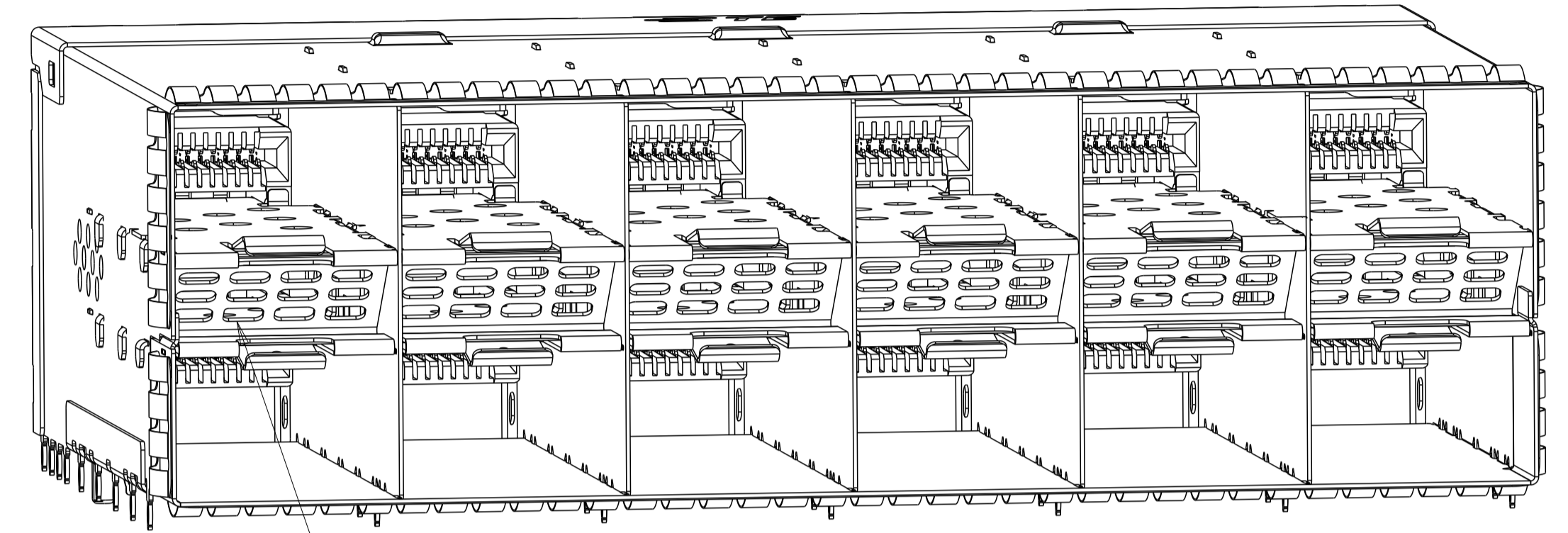
CUSTOMER DRAWING

LOC		DIST		REVISIONS			
P	LTN	DESCRIPTION	DATE	DMN	APVD		
-	-	SEE SHEET 1	-	-	-		

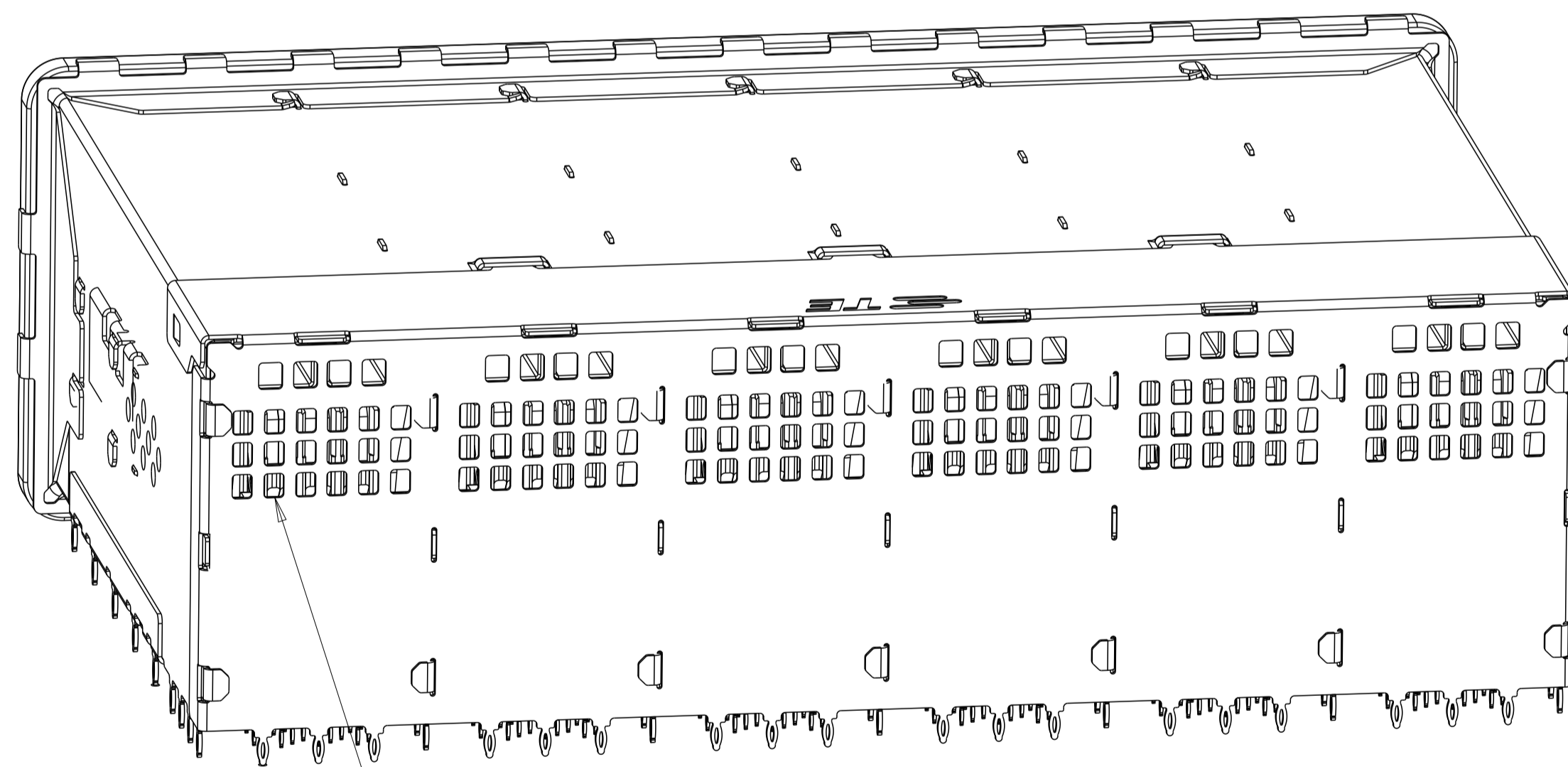
AIRFOLW ENHANCE TYPE



AIR VENTS

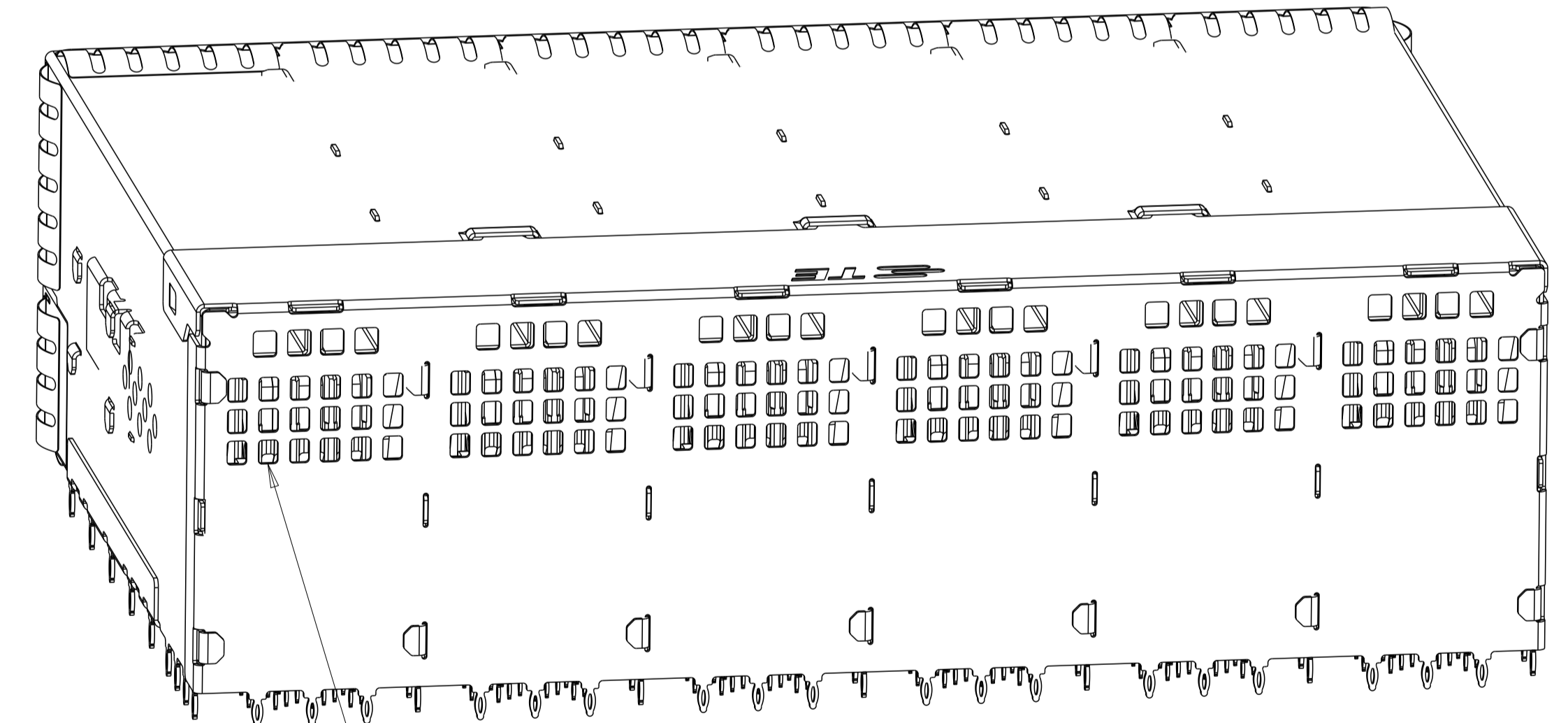


AIR VENTS



AIR VENTS

3-2198339-0
EMI GASKET TYPE

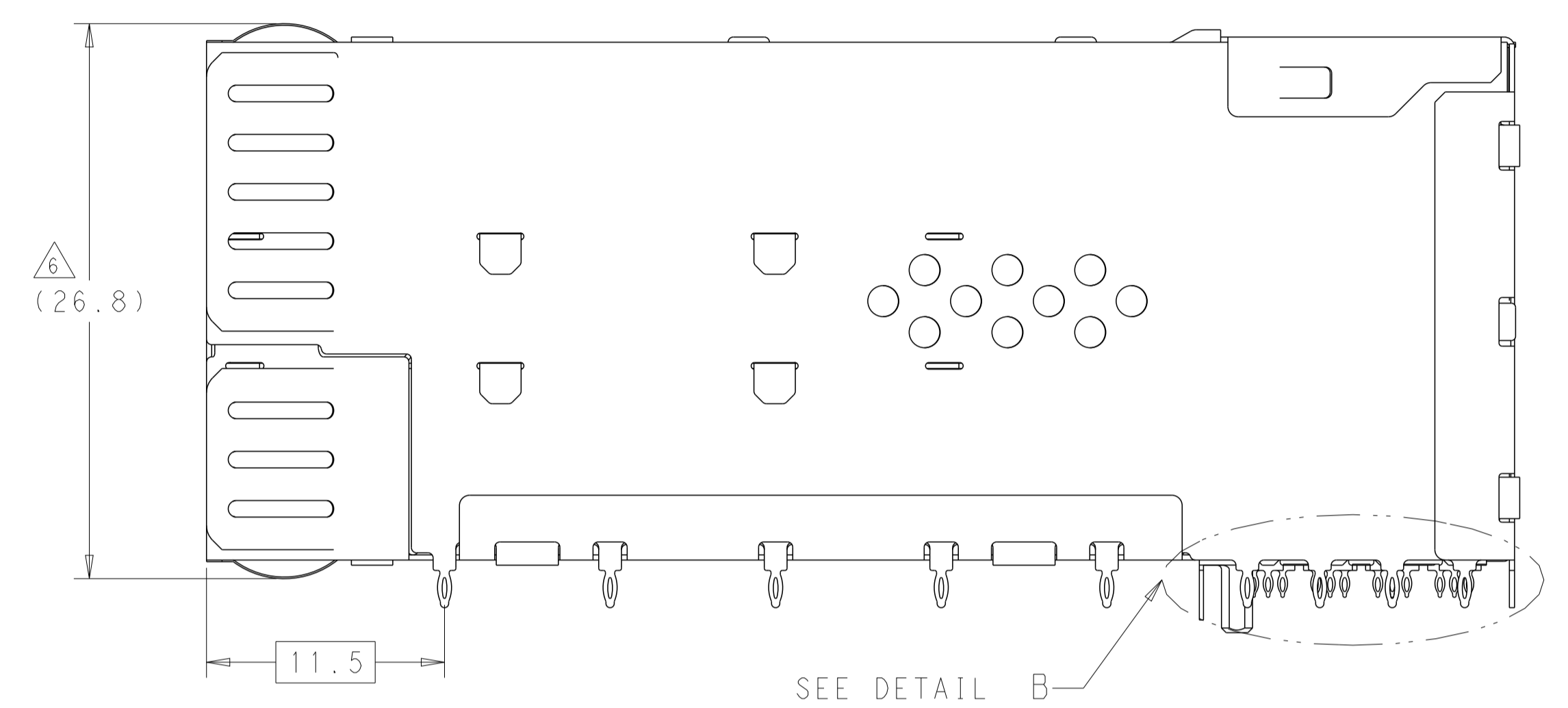
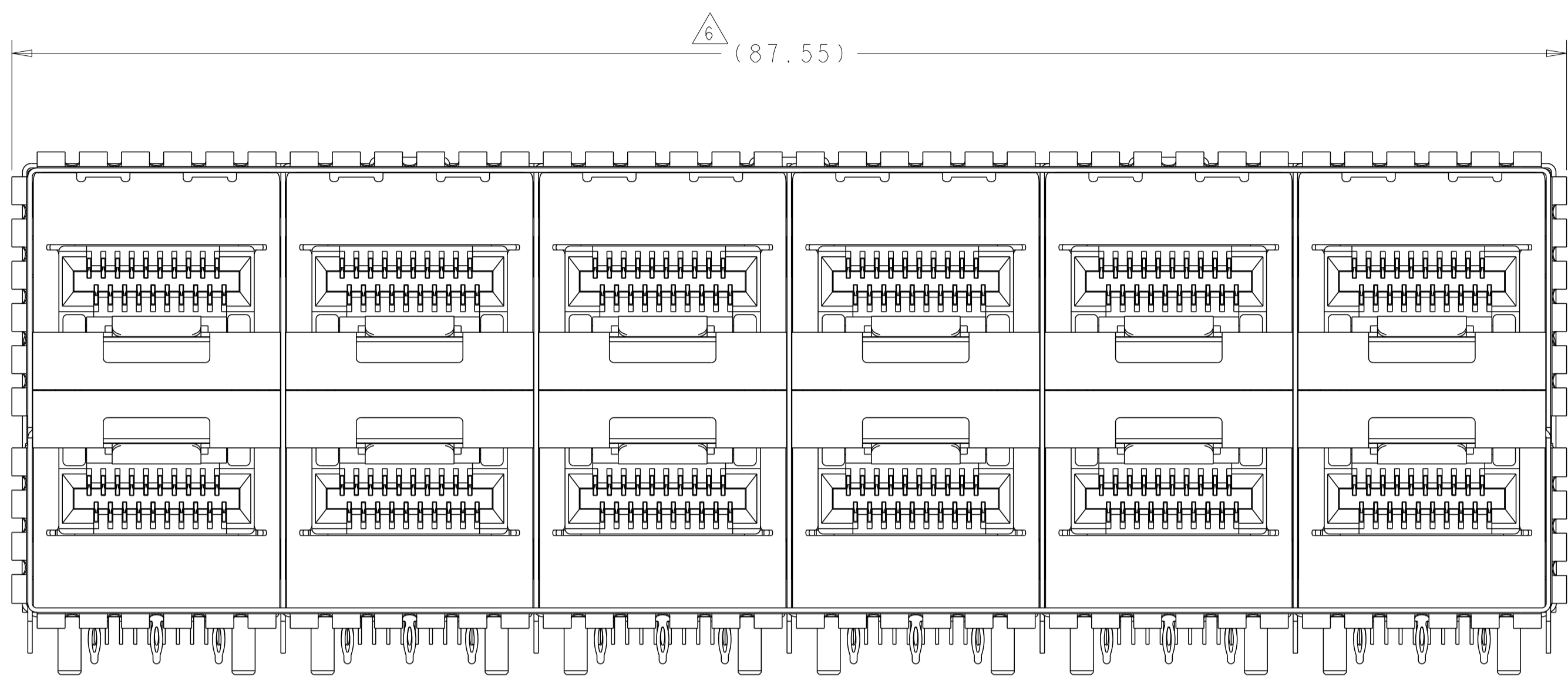


AIR VENTS

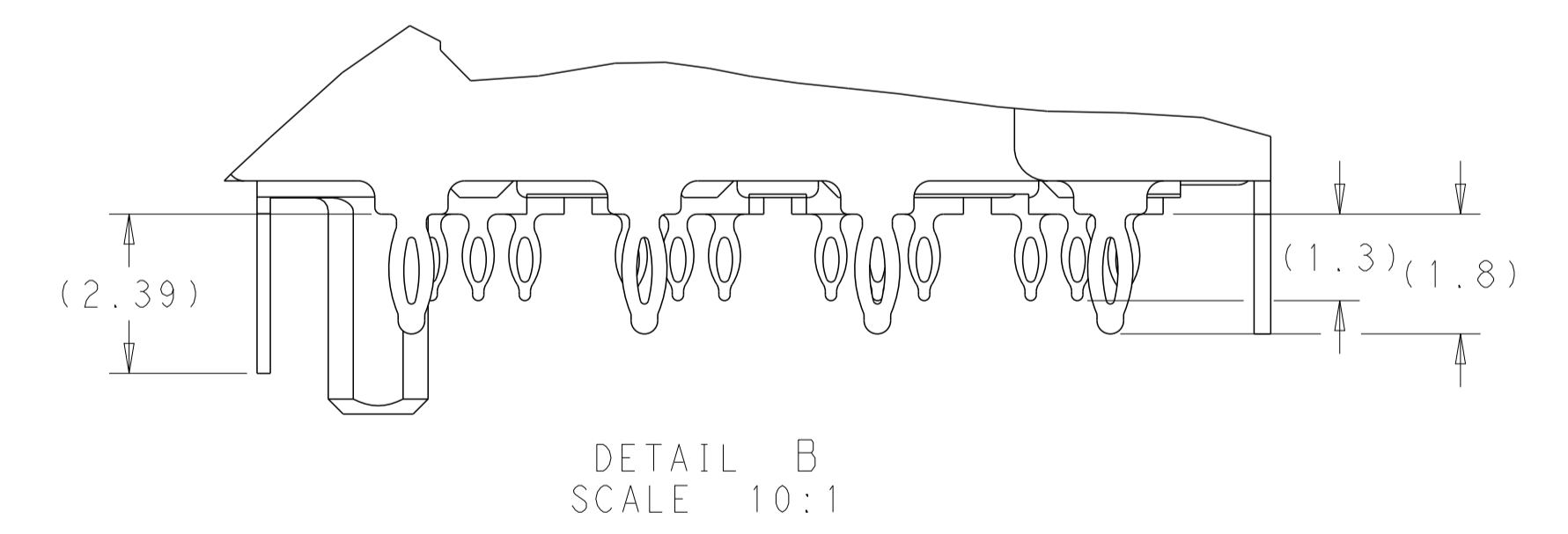
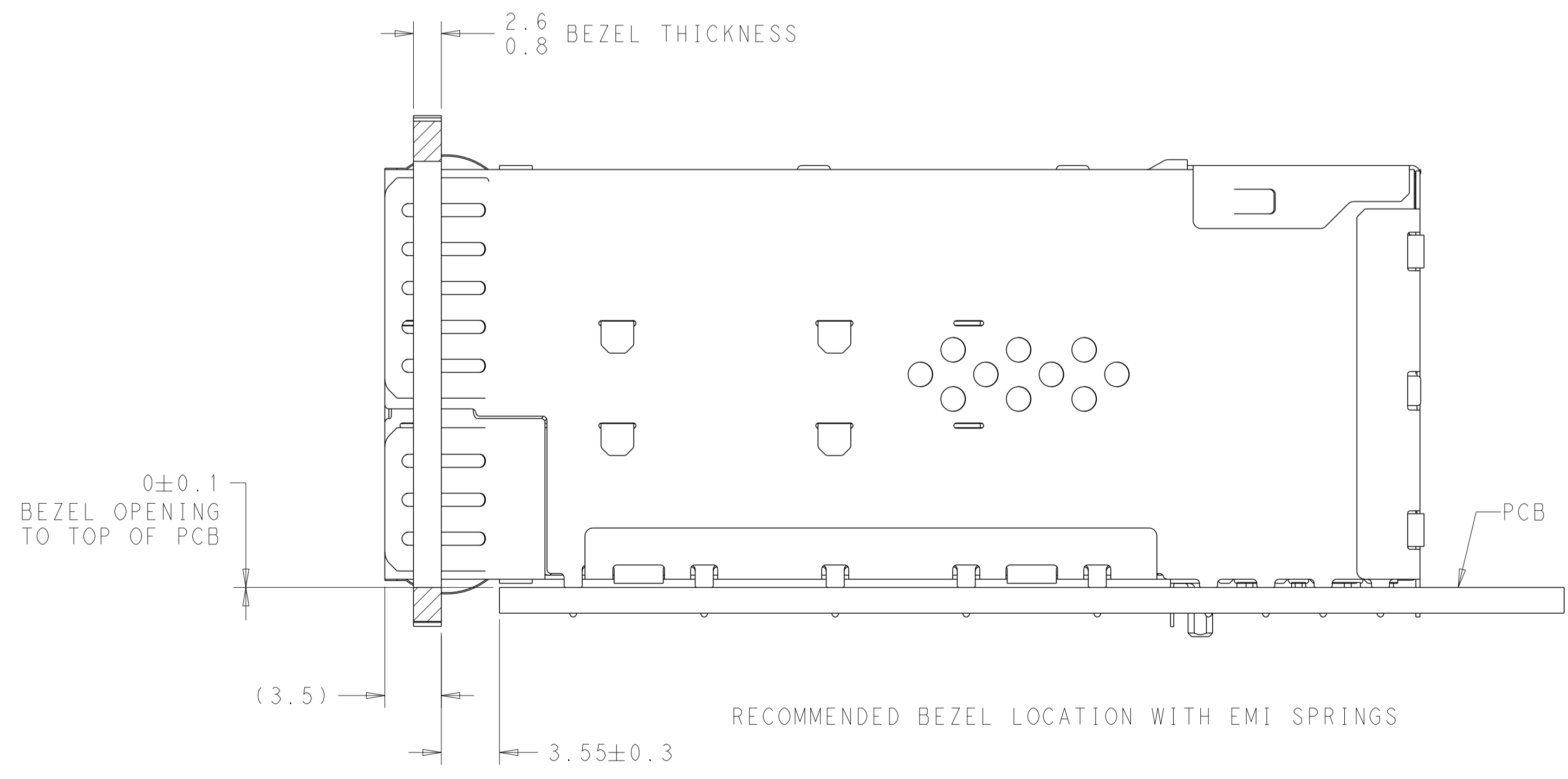
3-2198339-1
EMI SPRING TYPE

THIS DRAWING IS A CONTROLLED DOCUMENT.		DMN M. E. CONNER 07DEC2011	
DIMENSIONS:		CHK M. D. MORRISON 13DEC2011	
mm	0 PLC ± 1 PLC ±0.20 2 PLC ±0.15 3 PLC ±0.10 4 PLC ± ANGLES ±°	APVD M. D. MORRISON 13DEC2011	NAME RECEPTACLE ASSEMBLY ,2X6 STACKED, zSFP+
MATERIAL SEE NOTES	TOLERANCES UNLESS OTHERWISE SPECIFIED: FINISH ±0.05	PRODUCT SPEC 108-2481	SIZE A100779
	SEE NOTES	APPLICATION SPEC 114-13319	CAGE CODE C=2198339
		WEIGHT Customer Drawing	RESTRICTED TO SCALE 1:1 SHEET 2 OF 6 REV C

LOC	DIST	REVISIONS			
P	LTN	DESCRIPTION	DATE	DMN	APVD
-	-	SEE SHEET 1	-	-	-

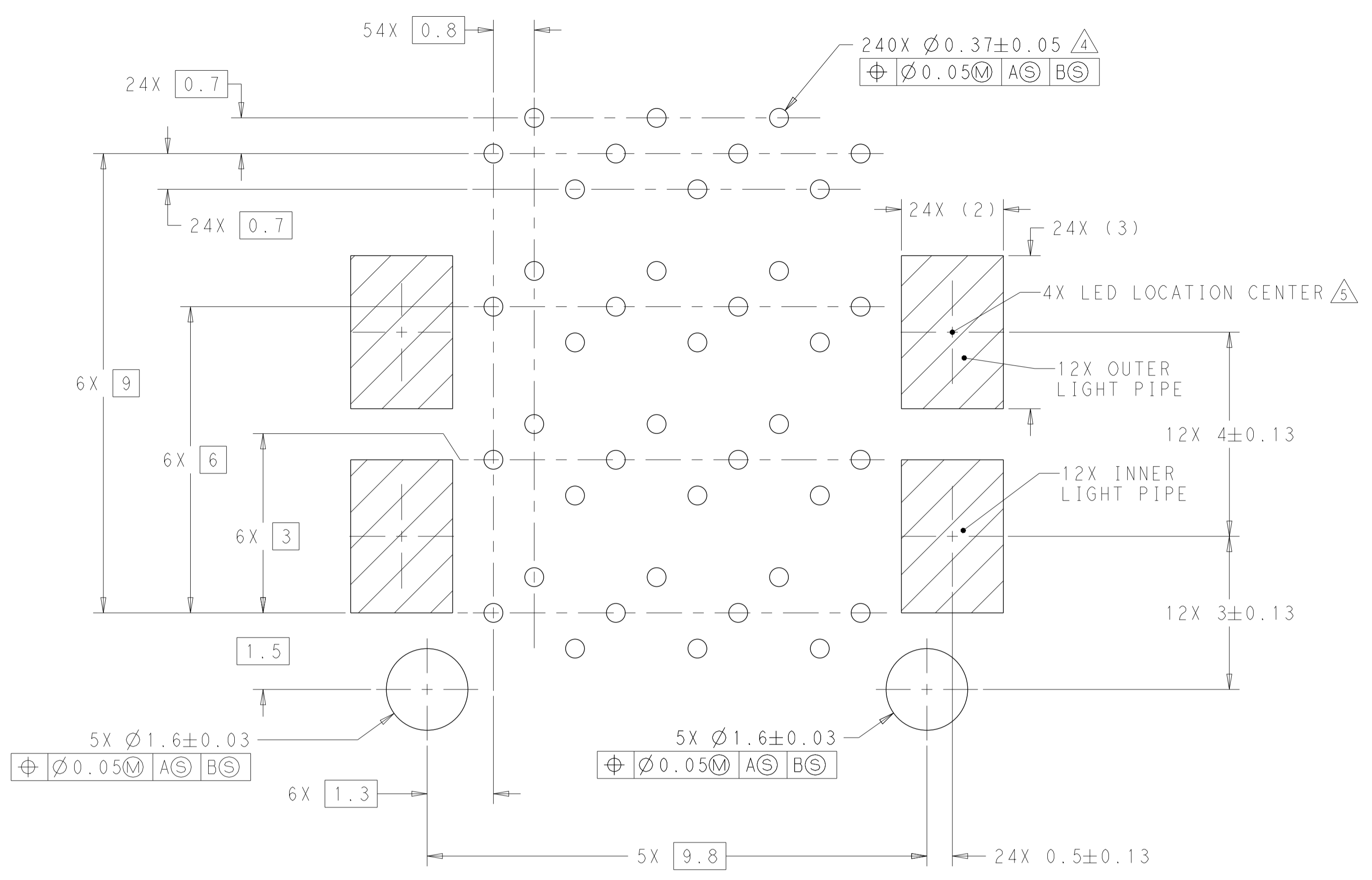


2198339-5 THRU 2198339-8, 1-2198339-9, 2-2198339-0, 2-2198339-1
 EMI SPRINGS ONLY
 SCALE 4:1

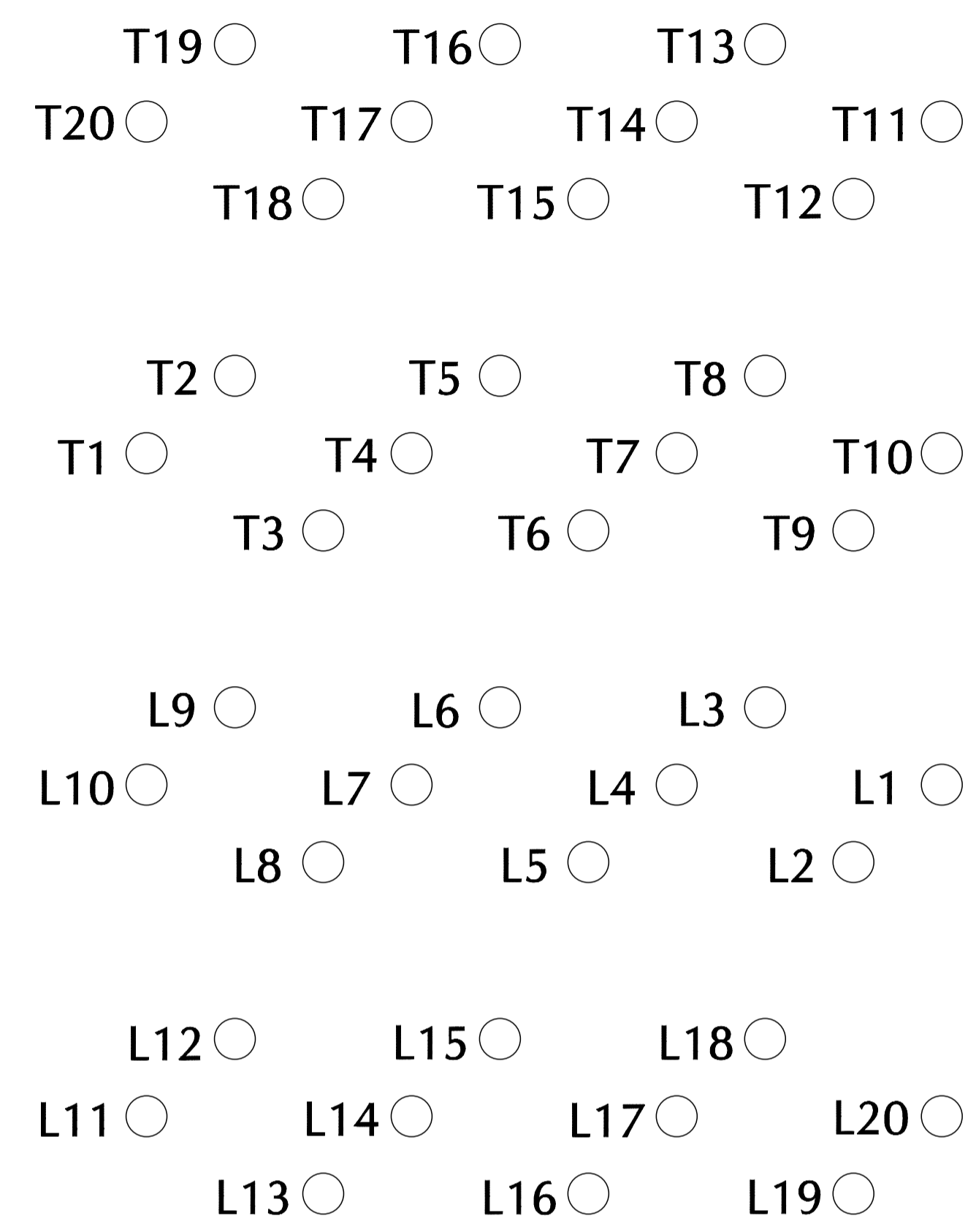


THIS DRAWING IS A CONTROLLED DOCUMENT.		DMN M. E. CONNER 07DEC2011	TE Connectivity
DIMENSIONS: mm		CHK M. D. MORRISON 13DEC2011	
TOLERANCES UNLESS OTHERWISE SPECIFIED:		APVD M. D. MORRISON 13DEC2011	NAME RECEPTACLE ASSEMBLY ,2X6 STACKED, zSFP+
0 PLC ± 1 PLC ±0.20 2 PLC ±0.15 3 PLC ±0.10 4 PLC ± ANGLES ±°		PRODUCT SPEC 108-2481	SIZE A100779
MATERIAL SEE NOTES		APPLICATION SPEC 114-13319	CAGE CODE DRAWING NO C=2198339
FINISH SEE NOTES		WEIGHT -	RESTRICTED TO -
Customer Drawing		SCALE 1:1	SHEET 3 OF 6 REV C

LOC		DIST		REVISIONS			
P	LTN	DESCRIPTION	DATE	OWN	APVD		
-	-	SEE SHEET 1	-	-	-		

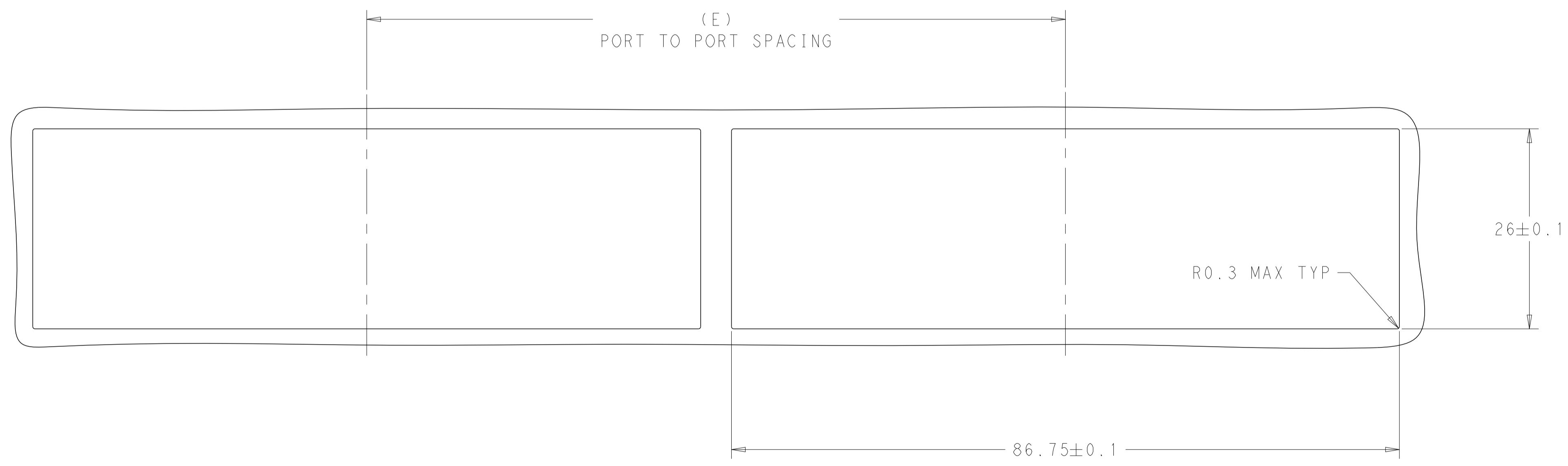


DETAIL C
 RECOMMENDED PIN AND LIGHT PIPE LAYOUT
 SCALE 15:1

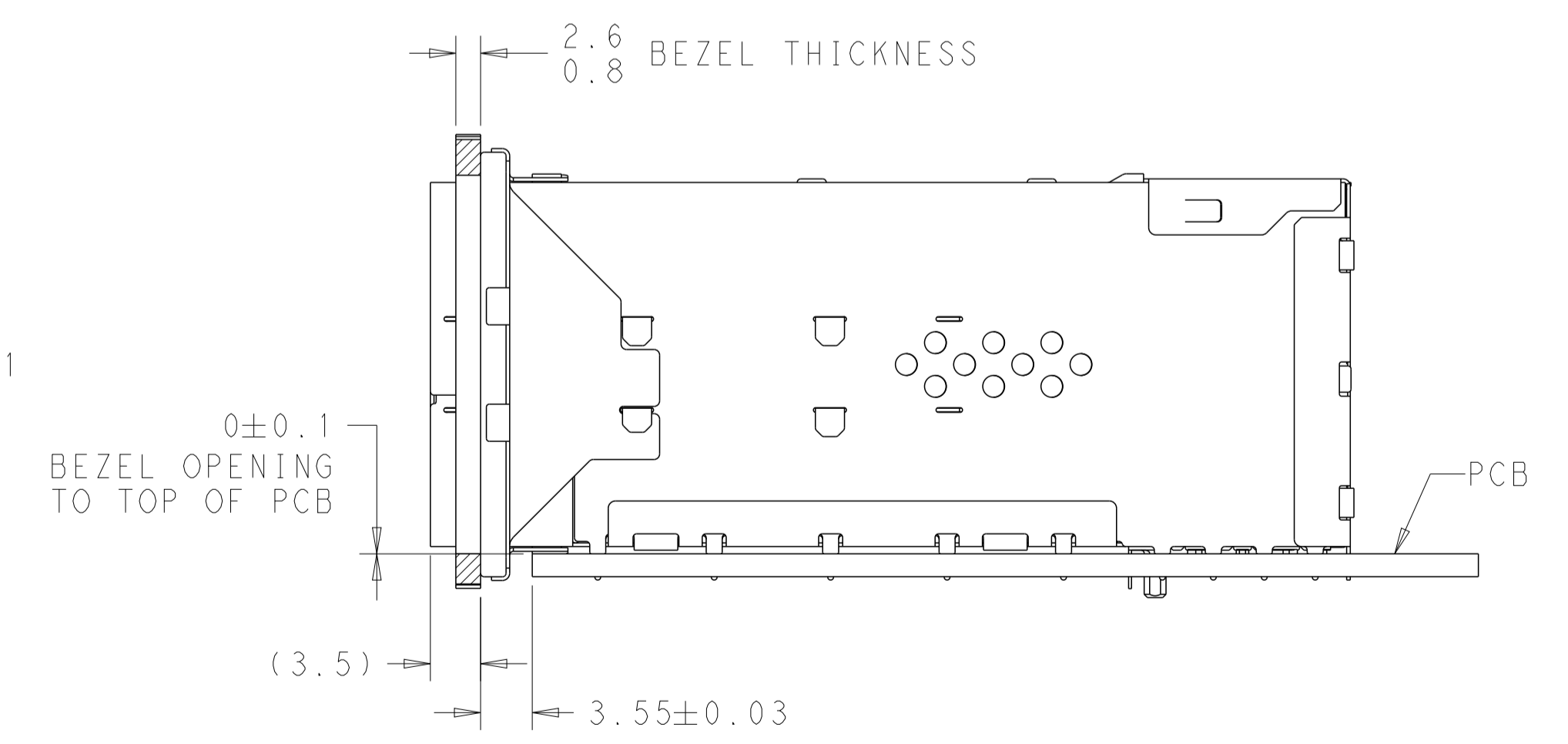


DETAIL D
 PIN MAP
 6 PLACES
 SCALE 20:1

PIN MAP LEGEND	
PIN NUMBER	FUNCTION
L1/T1	VEET
L2/T2	TX-FAULT
L3/T3	TX-DISABLE
L4/T4	SDA
L5/T5	SCL
L6/T6	MOD_ABS
L7/T7	RSO
L8/T8	RX_LOS
L9/T9	RS1
L10/T10	VEER
L11/T11	VEER
L12/T12	RD-
L13/T13	RD+
L14/T14	VEER
L15/T15	VCCR
L16/T16	VCCT
L17/T17	VEET
L18/T18	TD+
L19/T19	TD-
L20/T20	VEET



RECOMMENDED BEZEL CUT-OUT DETAIL
 SCALE 5:2



RECOMMENDED BEZEL LOCATION WITH EMI GASKET
 SCALE 5:2

THIS DRAWING IS A CONTROLLED DOCUMENT.		OWN: M.E. CONNER 07DEC2011	TE Connectivity
DIMENSIONS: mm		CHK: M.D. MORRISON 13DEC2011	
TOLERANCES UNLESS OTHERWISE SPECIFIED:		APVD: M.D. MORRISON 13DEC2011	NAME: RECEPTACLE ASSEMBLY ,2X6 STACKED, zSFP+
0 PLC ±.20		PRODUCT SPEC: 108-2481	
1 PLC ±0.15		APPLICATION SPEC: 114-13319	SIZE: A1 00779 ©=2198339
2 PLC ±0.10		WEIGHT: -	
3 PLC ±.08		Customer Drawing	RESTRICTED TO: -
4 PLC ±.05		SCALE: 1:1	SHEET: 6 OF 6
ANGLES: ±.5°		REV: C	
FINISH: SEE NOTES			