

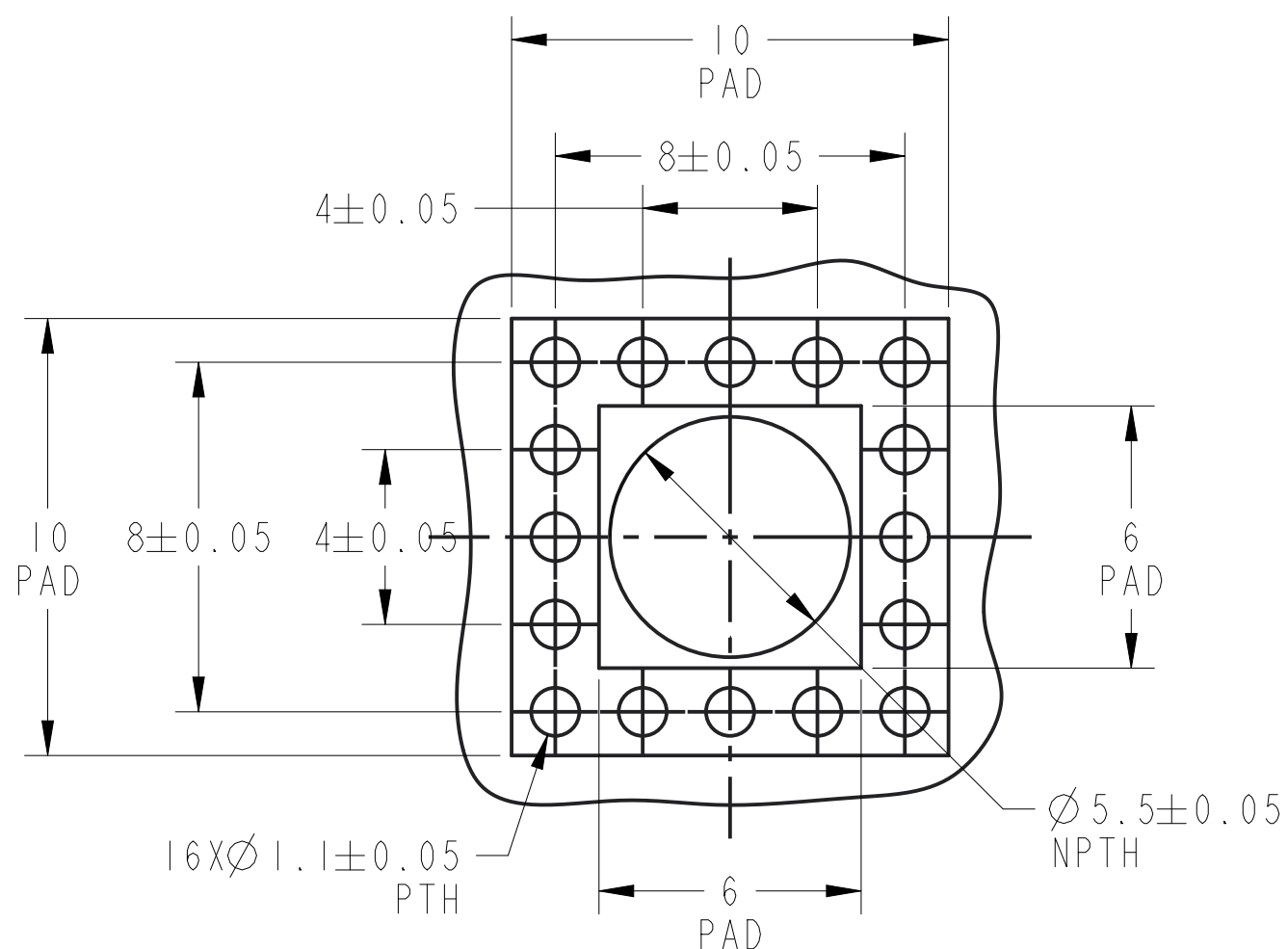
GENERAL TOLERANCE

DIM. RANGE	0.5 ~ 3	> 3 ~ 6	> 6 ~ 30	> 30 ~ 120	> 120 ~ 400
TOLERANCE	±0.1	±0.1	±0.2	±0.3	±0.5

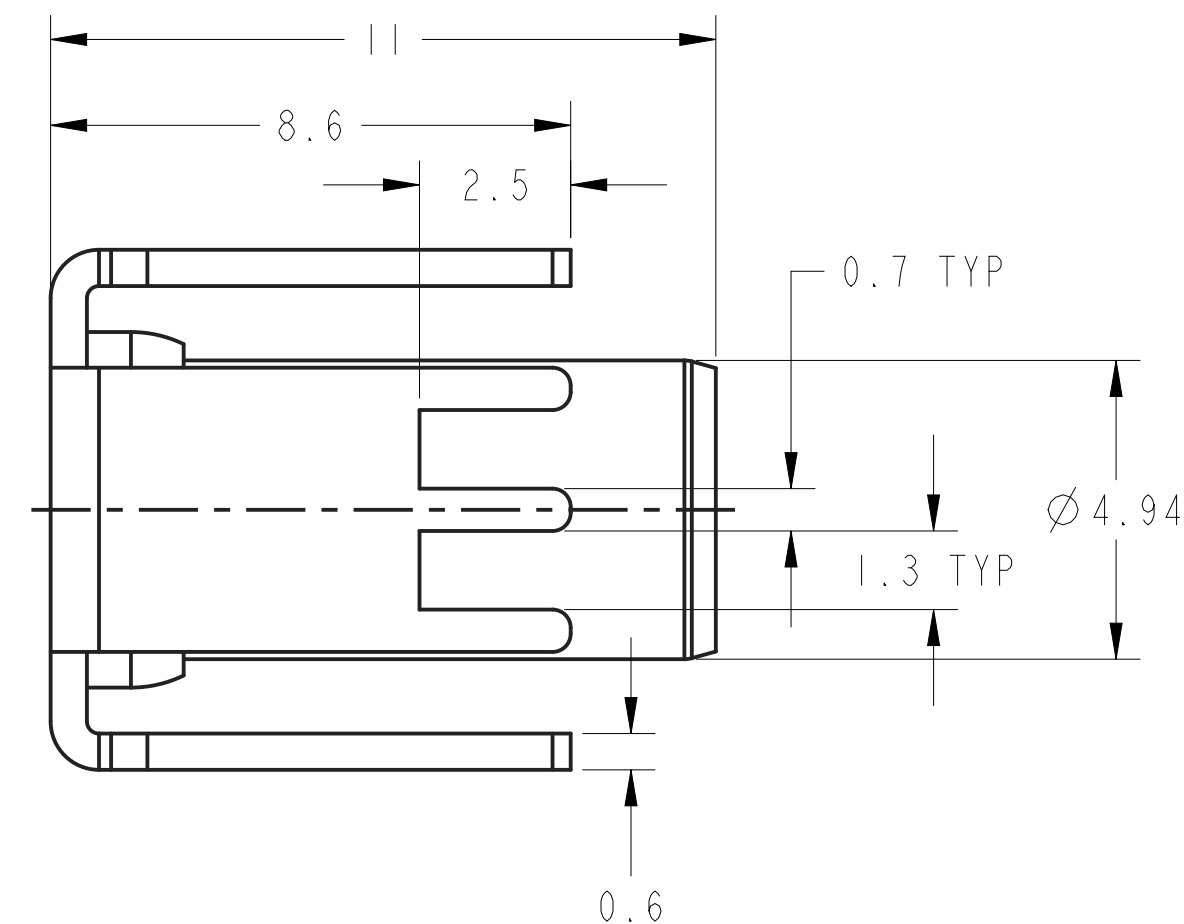
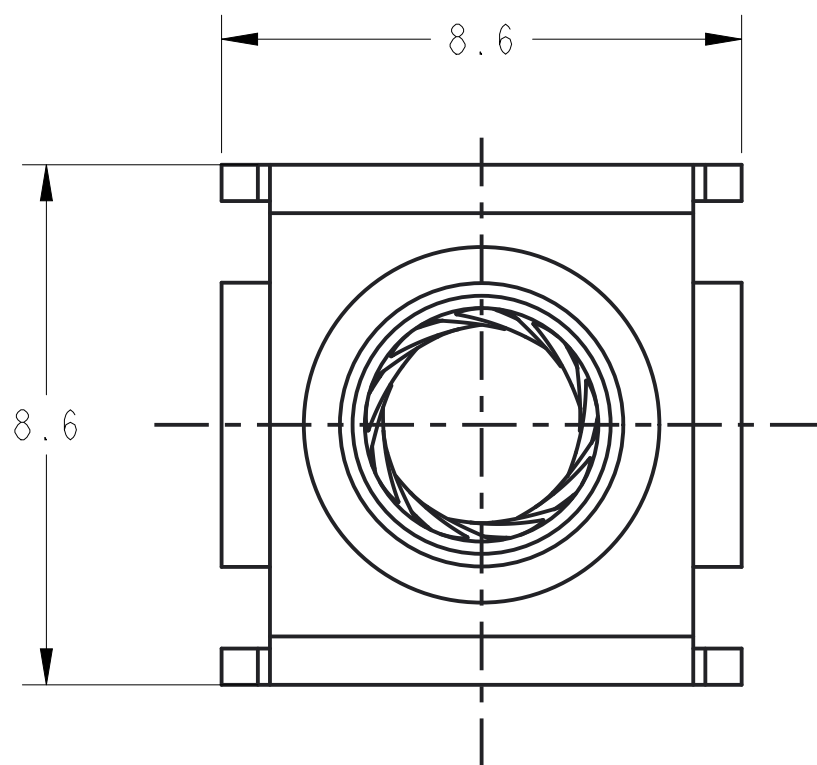
CUSTOMER DRAWING

AMPHENOL P/N
C10-729923-000T

REVISIONS		
REV.	DESCRIPTION	DATE
A	INITIAL RELEASE	2020-11-12



RECOMMENDED PCB LAYOUT



- 5. WITHSTAND TEMPERATURE: 250°C MAX(3~5S).
- 4. PART SHOWN MATES WITH C10-729922-000T OR A 3.6MM NOMINAL PIN, PIN SHALL HAVE A SPHERICAL TIP AND 200µ MIN SILVER FINISH, PART SHOWN HERE FOR REFLOW SOLDER ONLY.
- 3. MATERIAL:
RADSOK CONTACT: COPPER ALLOY, SILVER OVER NICKEL.
HOLDER: COPPER, MATTE TIN OVER NICKEL
- 2. PERFORMANCE:
ELECTRICAL: 70 AMPS;
MECHANICAL: 6.0LBF MAX. TEST PIN ENGAGEMENT FORCE;
0.5LBF MIN. TEST PIN EXTRACTION FORCE.
TEST PIN:
MATERIAL: STAINLESS STEEL;
DIAMETER: Ø3.6±0.005 MM;
SURFACE ROUGHNESS: Ra0.8 MAX;
DEPTH OF INSERTION: 10MM Min;
TEST PIN SHALL HAVE A SPHERICAL TIP WITH SMOOTH BLEND TO FULL DIAMETER, NO SHARP TRANSITION PERMITTED.

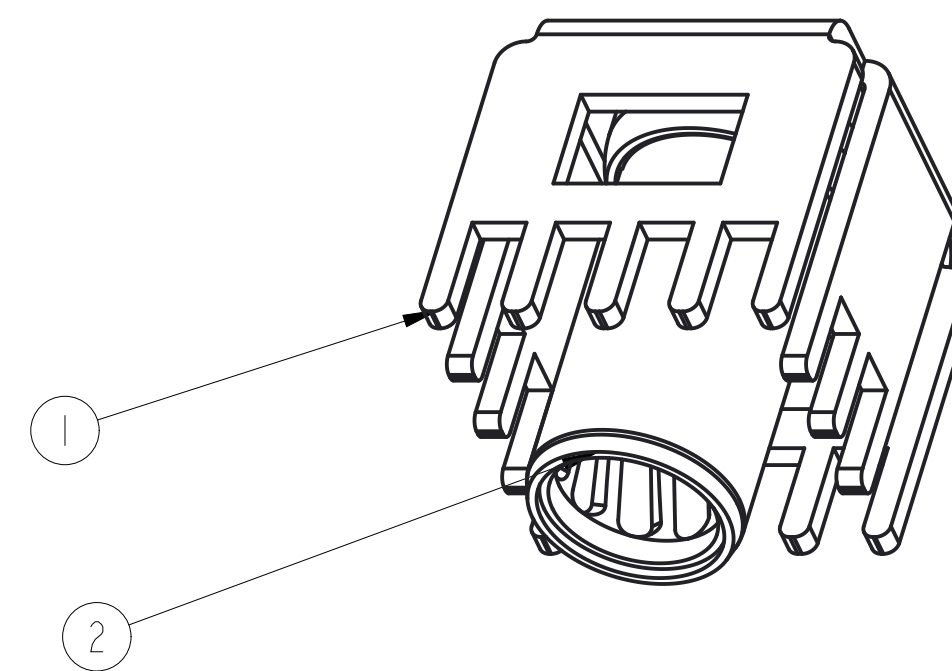
1. THE REFERENCED PRODUCT SHALL BE COMPLIANT TO RoHS DIRECTIVE.

NOTES:

THIS DOCUMENT CONTAINS PROPRIETARY INFORMATION AND SUCH INFORMATION MAY NOT BE DISCLOSED TO OTHERS FOR ANY PURPOSE OR USED FOR MANUFACTURING PURPOSES WITHOUT WRITTEN PERMISSION FROM THE AMPHENOL CORP.

N/A
NEXT ASSEMBLY
METRIC DOCUMENT

PRO/ENGINEER INFORMATION
Pro/e Model Used:
10-729923-LAYOUT.PART
Drawing Name:
10-729923-000T-CUS-A



UNLESS OTHERWISE SPECIFIED	SPECIFICATIONS
LINEAR DIMENSIONS ARE IN: MILLIMETERS TOLERANCES: ANGLES = ±2° DEFAULT LINEAR TOLERANCES SEE TABLE	MATERIAL SPEC.
DIM. & TOL. PER ASME Y14.5M-1994; DRM PER MIL-DTL-31000; OTHER AMPHENOL STANDARDS: 9-9318	SEE NOTE 3
LEGENDS: △ = FLAG NOTE CALL OUT REFERENCE ONLY	PROCESS SPEC.
	SEE NOTE 2

POS	QTY	PART NUMBER	DESCRIPTION	NOTE
2	1	-	3.6MM R4 RADSOK	
1	1	-	3.6MM R4 PGY HOLDER	

PARTS LIST			
AMPHENOL INDUSTRIAL OPERATIONS			
Amphenol Technology(Zhuhai)Co.,Ltd No.63, Xingnan Road, Sanzao Town, Jinwan, Zhuhai, PRC			
3.6MM POWERBLOK WTB RECEPTACLE			
SIZE	CAGE CODE	DOCUMENT NO.	REV.
C	77820	10-729923-000T	A
SCALE: 6.0		REF.	SHEET 1 OF 1

DOCUMENT NO. 10-729923-000T SHEET 1 OF 1 REV. A

DOCUMENT NO. 10-729923-000T SHEET 1 OF 1 REV. A

CODE NUMBER OF WTB CONNECTORS

CODE NUMBER	M P/N
WTB036SV061250	C10-729923-000T

CODE NUMBER: WTB XXX X X XXX XXX X

CONNECTOR SERIES
WTB: WIRE TO BOARD CONNECTORS

RADSOK SIZE
XXX: RADSOK SIZE, XX, X MM
SUCH AS: "036" MEANS "3.6"MM

MATING PROPERTY
SUCH AS "X"=P, MEANS PIN SIDE
"X"=S, MEANS SOCKET SIDE

PACKAGE
"X" OMITTED MEANS TRAY
"X"="R" MEANS TAPE & REEL

LENGTH OF SOLDER TAILS
"XXX" MEANS "X,XX"MM
SUCH AS "354" MEANS "3.54"MM

HEIGHT OVER BOARD
"XXX" MEANS "XX.X" MM
SUCH AS "136" MEANS "13.6"MM

DIRECTION OF MATING
SUCH AS "X"=R, MEANS RIGHT ANGLE
"X"=V, MEANS VERTICAL

NOTES:

THIS DOCUMENT CONTAINS PROPRIETARY INFORMATION AND SUCH INFORMATION MAY NOT BE DISCLOSED TO OTHERS FOR ANY PURPOSE OR USED FOR MANUFACTURING PURPOSES WITHOUT WRITTEN PERMISSION FROM THE AMPHENOL CORP.

SIZE C	CAGE CODE 77820	DOCUMENT NO. 10-729923-000T	REV. A
SCALE: 6.0		REF:	SHEET 2 OF 2

DOCUMENT NO. 10-729923-000T

SHEET 2 OF 2

REV. A

C

B

FORMAT: C-L-E-Rev-B
A

D

C

REV. A

SHEET 2 OF 2

DOCUMENT NO. 10-729923-000T

A