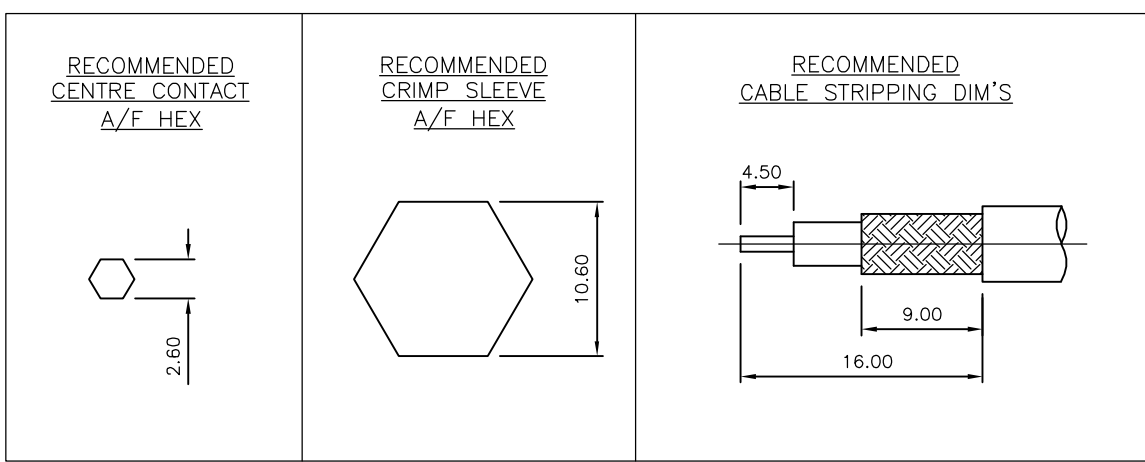
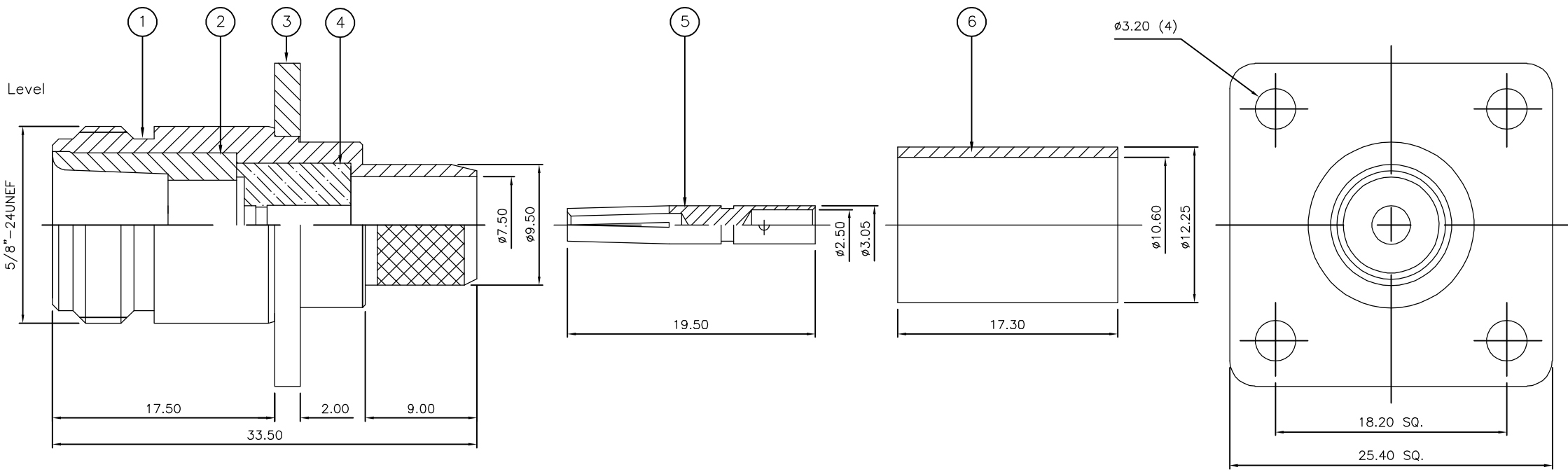


THIS DRAWING IS UNPUBLISHED. RELEASED FOR PUBLICATION AUG ,2006.
 © COPYRIGHT 2006 BY TYCO ELECTRONICS CORPORATION. ALL RIGHTS RESERVED.

LOC	DIST	REVISIONS					
E	B	P	LTR	DESCRIPTION	DATE	DWN	APVD
		B		ECR-06-018891	22AUG06	JMS	FWK

- NOTES:**
- 1 PACK IN ACCORDANCE WITH AMP SPEC 107-3275
 - 2 100 TRAY PACK IN ACCORDANCE WITH AMP SPEC 107-3275
 - 3 Ag PLATING
 - 4 HAND TOOL : 9-1478240-0
 - 5 DIE SET : 9-1478246-0
 - 6 ELECTRICAL CHARACTERISTICS
 FREQUENCY RANGE: DC - 11 GHz
 NOMINAL IMPEDANCE: 50 Ohm
 INSULATION RESISTANCE: 5000 MOhm
 WORKING VOLTAGE: 1000 Volts RMS at Sea Level
 DIELECTRIC WITHSTAND VOLTAGE: 2500 Volts RMS Max
 CONTACT RESISTANCE:
 CENTRE CONTACT: 1.00 mOhm Max
 OUTER CONTACT: 1.00 mOhm Max
 VSWR @ 4GHz: 1.30:1 Max
 INSERTION LOSS dB @ x 4 GHz: 0.30 Max
 - 7 MECHANICAL CHARACTERISTICS
 COUPLING NUT RETENTION FORCE: N/A
 CABLE RETENTION FORCE: 350 Min
 DURABILITY: 500 Cycles Min
 - 8 ENVIRONMENTAL CHARACTERISTICS
 OPERATING TEMPERATURE: -65 to +165 DegC
 - 9 FOR TECHNICAL DATA REFER TO YOUR LOCAL TYCO ELECTRONICS SALES OFFICE
 - 10 ALL DIMENSIONS ARE NOMINAL FOR REFERENCE ONLY UNLESS OTHERWISE STATED



QTY	QTY	MATERIAL	DESCRIPTION	ITEM
1	1	BRASS	FERRULE	6
1	1	BRASS	CONTACT	5
1	1	PTFE	INSULATION	4
1	1	BRASS	FLANGE	3
1	1	BRASS	CHASSIS	2
1	1	BRASS	BODY	1
6--0	1--0			

THIS DRAWING IS A CONTROLLED DOCUMENT.		DWN J.SANDWELL 22AUG06		Tyco Electronics Corporation Bideford EX39 4HE	
DIMENSIONS: mm		CHK S.PARLOW 22AUG06			
TOLERANCES UNLESS OTHERWISE SPECIFIED:		APVD F.WHEELER-KING 22AUG06		NAME	
0 PLC ± -		PRODUCT SPEC		TYPE N PANEL JACK CRIMP 50 OHM PSF1/4M,RG8A/U, 213/U, URM67, KX4	
1 PLC ± -		APPLICATION SPEC		SIZE CAGE CODE DRAWING NO RESTRICTED TO	
2 PLC ± -		411-3247		A3 00779 C-1478210	
3 PLC ± -		WEIGHT -		SCALE NTS SHEET 1 OF 1 REV B	
4 PLC ± -		CUSTOMER DRAWING			
ANGLES ± -					
FINISH -					
MATERIAL SEE TABLE					