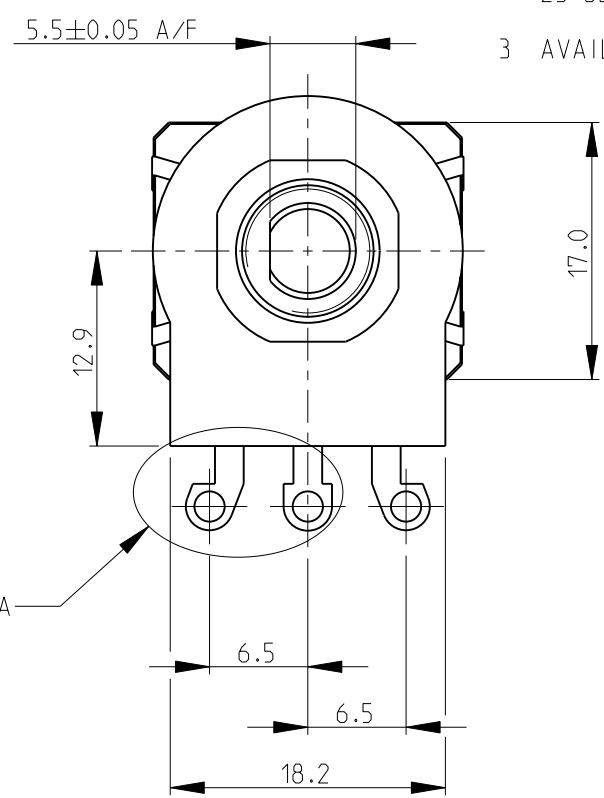
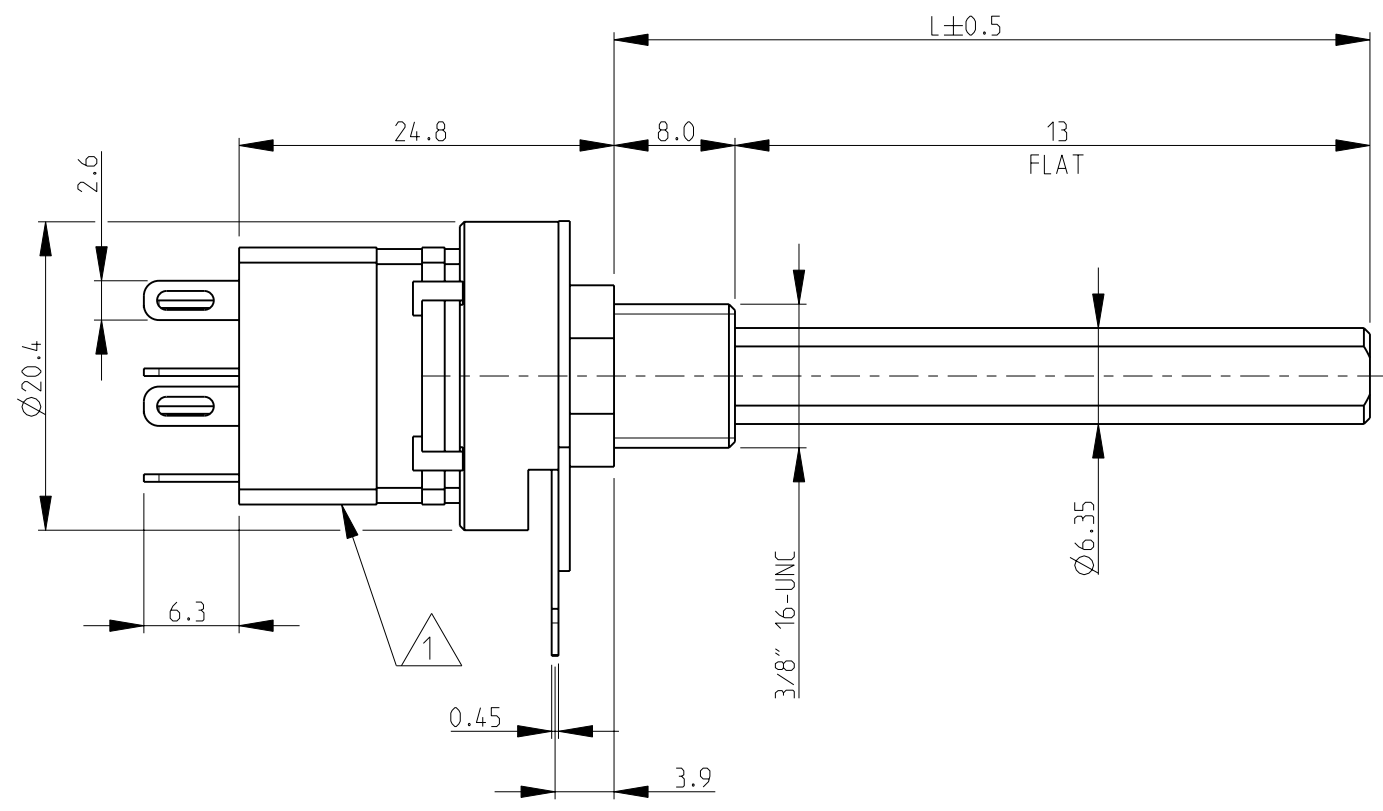
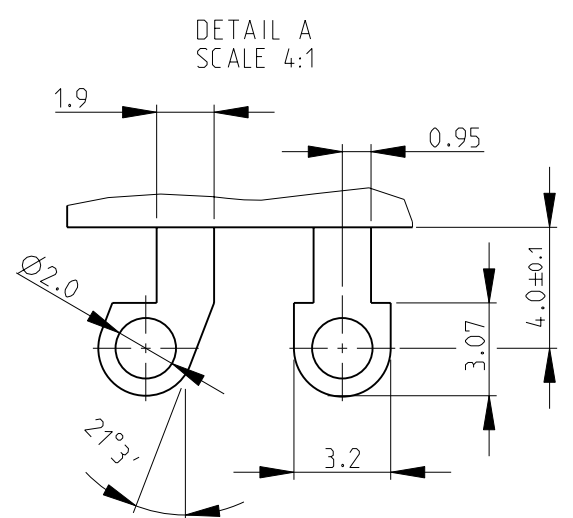


THIS DRAWING IS UNPUBLISHED. RELEASED FOR PUBLICATION 2008  
 © COPYRIGHT 2008 BY TYCO ELECTRONICS CORPORATION. ALL RIGHTS RESERVED.

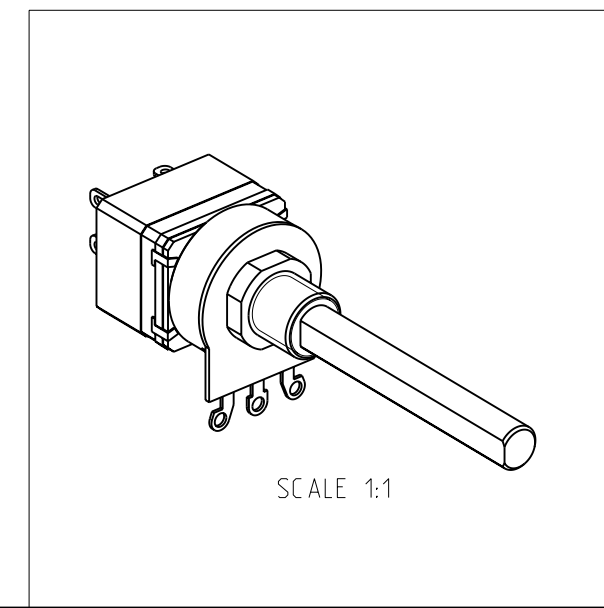
LOC		DIST		REVISIONS			
P	LTR	DESCRIPTION		DATE	DWN	APVD	
E	B	BA	NEW RELEASE	30-Jul-08	SM	St.P	



- 1 SWITCH TYPE: DPST (4A)
- 2 FOR FURTHER INFORMATION SEE DATA SHEET FOR 23 SERIES-SPINDLE OPERATED POTENTIOMETER
- 3 AVAILABLE IN DIFFERENT SHAFT LENGTHS (L) SEE DATA SHEET



RoHS Compliant



THIS DRAWING IS A CONTROLLED DOCUMENT FOR TYCO ELECTRONICS CORPORATION IT IS SUBJECT TO CHANGE AND THE CONTROLLING ENGINEERING ORGANIZATION SHOULD BE CONTACTED FOR THE LATEST REVISION.		DWN SUBHASH.M 30-Jul-08	Tyco Electronics Corporation Dorcan, Swindon, SN3 5HH		
DIMENSIONS: mm	TOLERANCES UNLESS OTHERWISE SPECIFIED: 0 PLC ±0.2 1 PLC ±0.1 2 PLC ± 3 PLC ± 4 PLC ± ANGLES ±5°	CHK PRAKASH.S 30-Jul-08	NAME SPINDLE OPERATED POTENTIOMETER SERIES 23SE		
		APVD STEPHEN.P 30-Jul-08			
MATERIAL -	FINISH -	PRODUCT SPEC -	SIZE A3	CAGE CODE 00779	
		APPLICATION SPEC -	DRAWING NO C-1624166	RESTRICTED TO -	
		WEIGHT -	SCALE 2:1 SHEET 1 OF 1 REV BA		
		CUSTOMER DRAWING			