

6

5

4

3

2

1

D

D

C

C

B

B

A

A

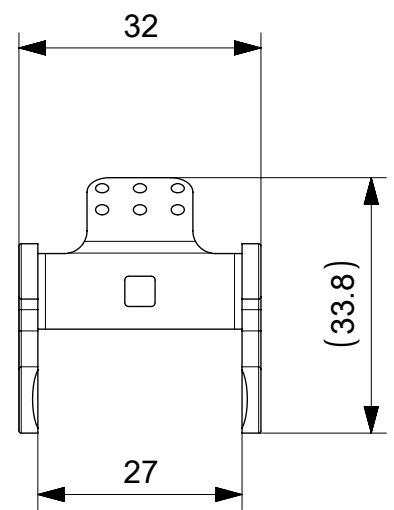
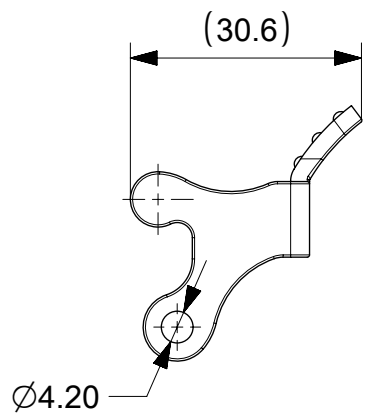
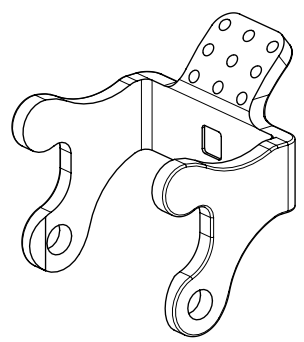


TABLE 1		
Material No.	Eng. No.	COLOR
0936070043	5341.0502.X	GREY RAL 9002
0936070042	5341.0502.1	BLACK RAL 9005

MATERIAL	Thermoplastic UL94-V0
COLOR	SEE TABLE 1

PRE-RELEASE
REFERENCE
USE ONLY

FUNCTIONAL SYMBOLS $\frac{F}{A} = 0$ $\frac{F}{E} = 0$ $\frac{F}{P} = 0$	THIS DRAWING CONTAINS INFORMATION THAT IS PROPRIETARY TO MOLEX ELECTRONIC TECHNOLOGIES, LLC AND SHOULD NOT BE USED WITHOUT WRITTEN PERMISSION		<div style="text-align: center;">molex</div> <p>SINGLE LEVER 3A - THERMOPLASTIC SERIES - SPARE PARTS -</p> <p>PRODUCT CUSTOMER DRAWING</p>						
	DIMENSION UNITS	SCALE				CURRENT REV DESC:			
	mm					EC NO: 653837			
	GENERAL TOLERANCES (UNLESS SPECIFIED)					DRWN: DMERONI 2021/01/25			
DIVISIONAL SYMBOLS	ANGULAR TOL ± 1.0°		CHK'D: DMERONI 2021/01/25						
	4 PLACES	±	APPR: MBIZZOZERO 2021/01/27						
	3 PLACES	±	INITIAL REVISION:						
	2 PLACES	± 0.1	DRWN: DMERONI 2021/01/25						
1 PLACE	± 0.2	APPR: MBIZZOZERO 2021/01/27							
0 PLACES	± 0.3	DOCUMENT NUMBER							
DRAFT WHERE APPLICABLE MUST REMAIN WITHIN DIMENSIONS		FIRST ANGLE PROJECTION	DRAWING	SERIES	MATERIAL NUMBER	CUSTOMER	DOC TYPE	DOC PART	REVISION
			A4-SIZE	93607	936070043	GENERAL MARKET	PSD	000	A
					SEE TABLE 1				SHEET NUMBER
									1 OF 1

DOCUMENT STATUS	P1	RELEASE DATE	2021/01/27	08:56:12
-----------------	----	--------------	------------	----------

6

5

4

3

2

1