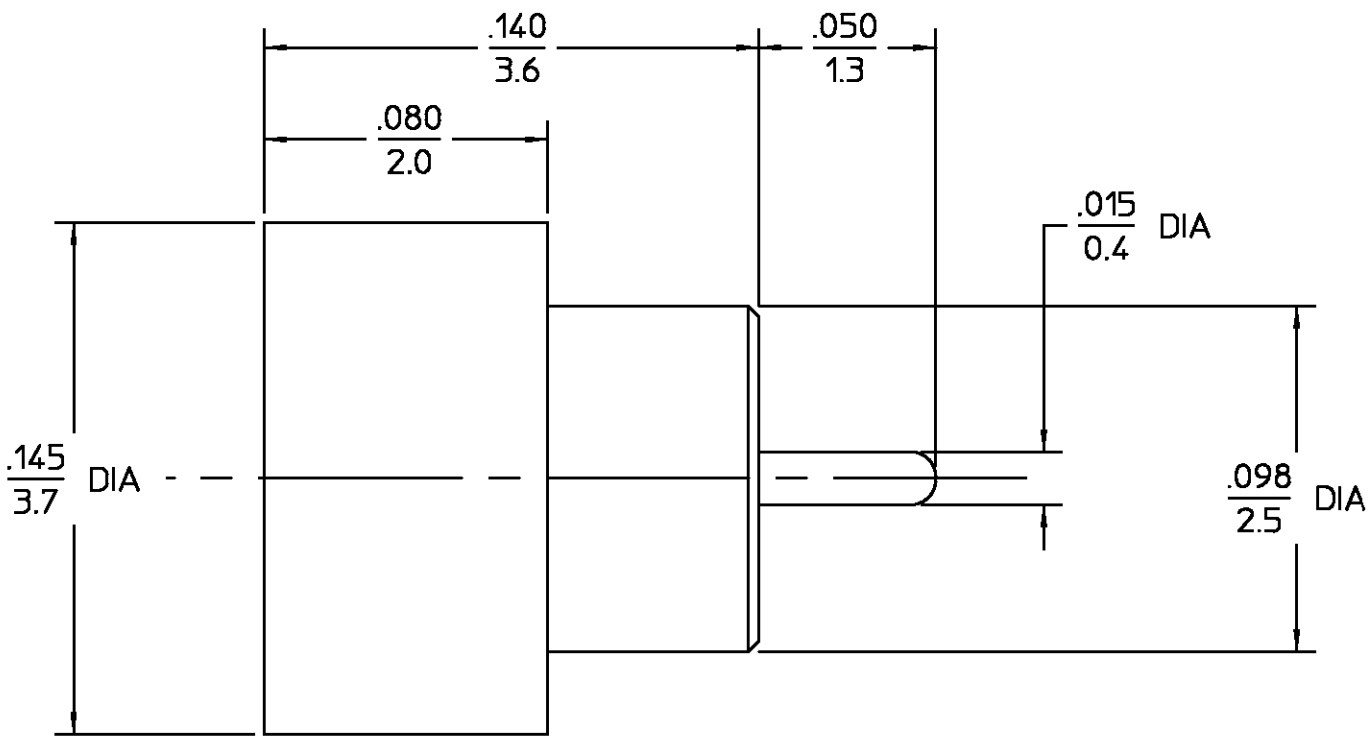
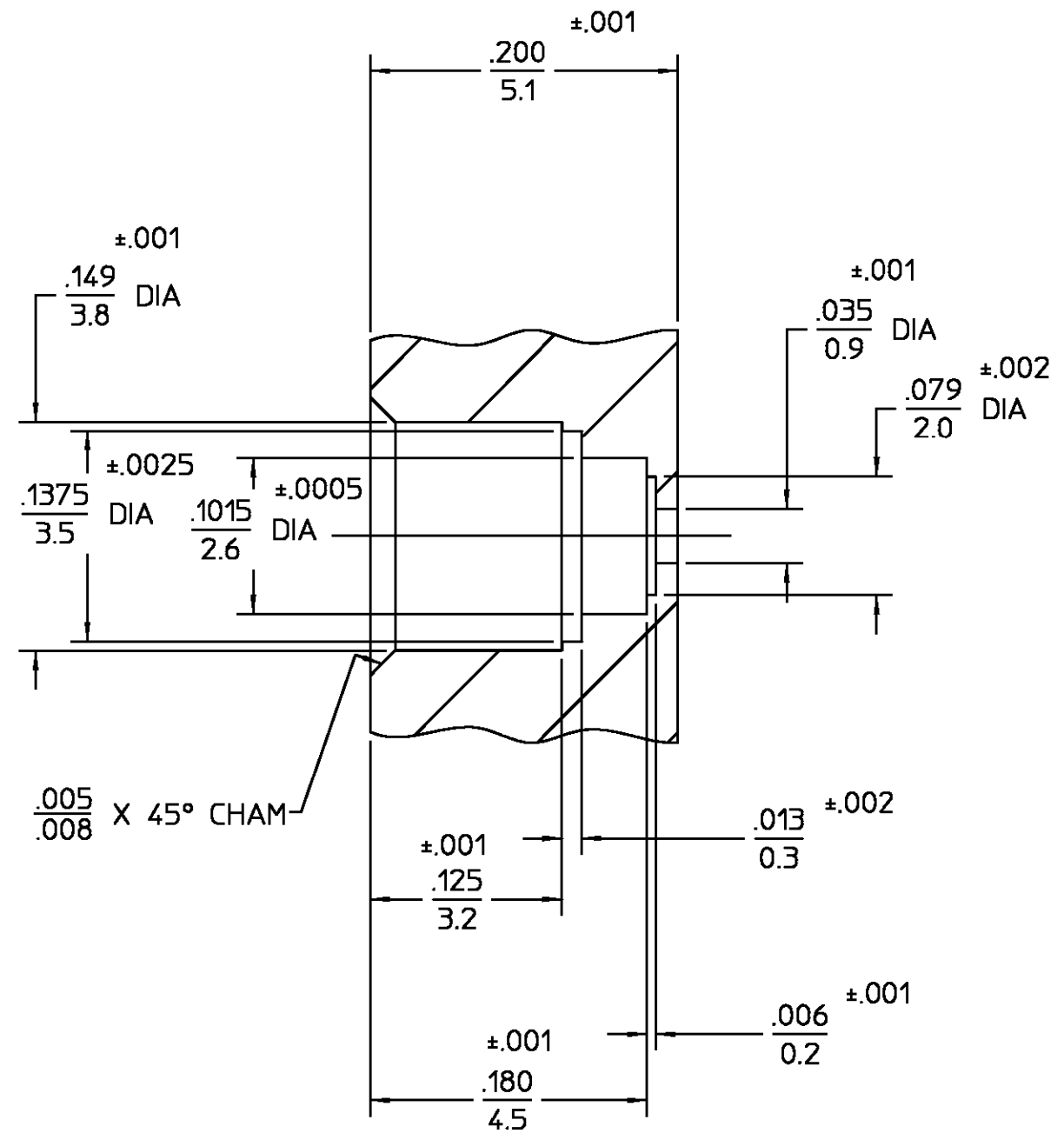


REVISIONS			
REV	DESCRIPTION	DATE	APPROVED
A1	REVISED PER ECO-17-005132	20OCT2017	RS



RECOMMENDED MOUNTING HOLE

OBSOLETE

.XXX = in
XX.X = mm

CONTACT EXT HOUSING	IRON NICKEL COBALT SEALING ALLOY (KOVAR) PER ASTM F15-78	GOLD PLATE PER MIL-G-45204
DIELECTRIC	CORNING GLASS 7070	N/A
COMPONENT	MATERIAL	FINISH

UNLESS OTHERWISE SPECIFIED DIMENSIONS ARE IN INCHES TOLERANCE ON FRAC. DEC. ANGLES • 1/64 • .005 • °	DRAWN BY <i>RAC</i> DATE 1/30/95	AMP Incorporated 140 Fourth Avenue Waltham, MA 02451-7599	
	CHECKED BY <i>RAC</i> APP'D BY <i>RAC</i> DATE 8/23/95	AMP	
These drawings and specifications are the property of M/A-COM Interconnect Division and shall not be reproduced or copied or used in whole or in part as the basis for the manufacture or sale of item(s) without written permission.	USE ASSY PROCEDURE	TITLE OSMP SOLDER-IN SHROUD LIMITED DETENT	
	NO. A.P. N/A	SIZE B	CODE IDENT NO. 26805
		SCALE 20:1	2998-5055-94
		SHEET 1 OF 1	

CUSTOMER DRAWING

AMP PART # 1056751-1
SHEET 1 OF 1 REV A1