

AMERICAS

5810 Van Allen Way
Carlsbad, CA 92008
Telephone: 760-930-4600
Facsimile: 760-930-0698

EUROPE

Astec House, Waterfront Business Park
Merry Hill, Dudley
West Midlands, DY5 1LX, UK
Telephone: 44 (1384) 842-211
Facsimile: 44 (1384) 843-355

ASIA

Units 2111-2116, Level 21
Tower1, Metroplaza
223, Hing Fong Road
Fwai Fong, New Territories
Hong Kong
Telephone: 852-2437-9662
Facsimile: 852-2402-4426



AK80A

Ordering Information

Input Voltage	Output Voltage	Output Current	Model Number
24V	3.3V	40A	AK80A-024L-033F40
24V	5V	30A	AK80A-024L-050F30
24V	12V	14A	AK80A-024L-120F14
24V	15V	12A	AK80A-024L-150F12
24V	24V	8A	AK80A-024L-240F08

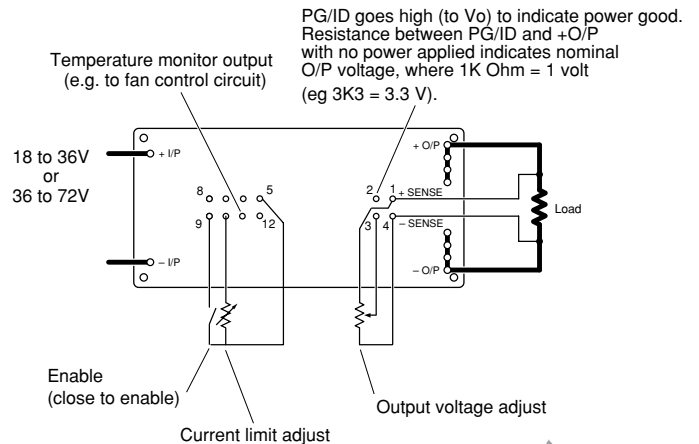
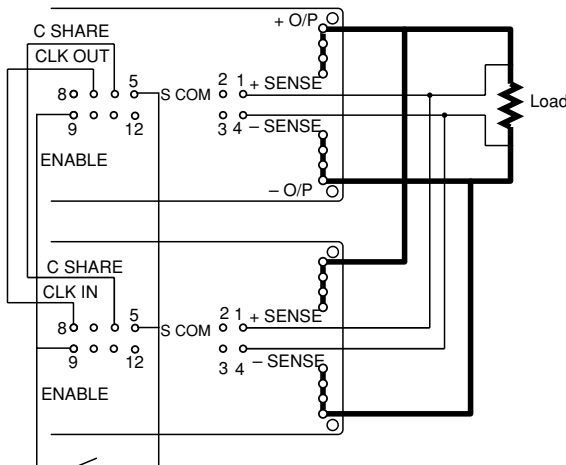
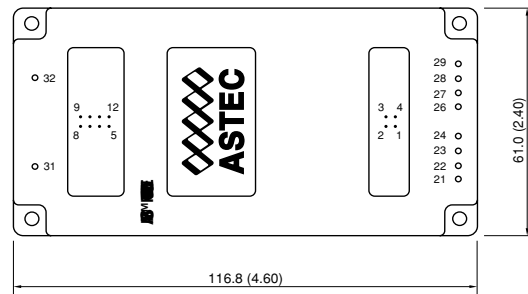
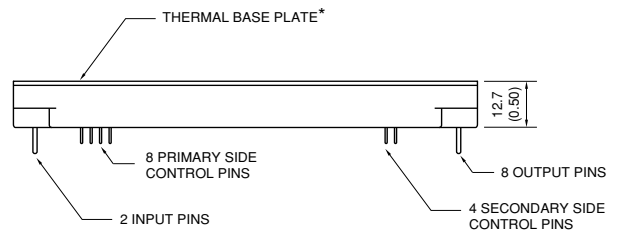
Please contact Astec for information on other output voltages, power ranges and configurations.

Pin Assignments

Input	Output	Control Pins
31. +ve	21. +ve	1. +SENSE
32. -ve	22. +ve	2. PG/ID
	23. +ve	3. V ADJ
	24. +ve	4. -SENSE
	26. -ve	5. S COM
	27. -ve	6. C SHARE
	28. -ve	7. CLK OUT
	29. -ve	8. CLK IN
		9. ENABLE
		10. C LIM ADJ
		11. TEMP MON
		12. PRI AUX

Secondary side controls

Primary side controls



Astec Integrated Power