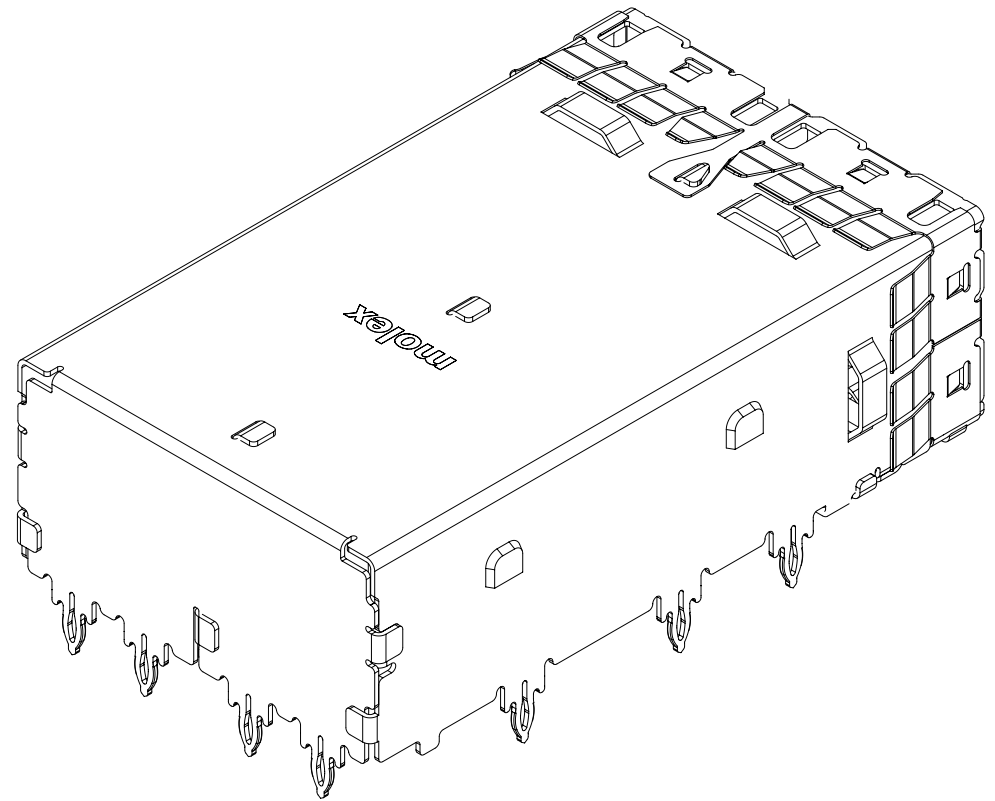
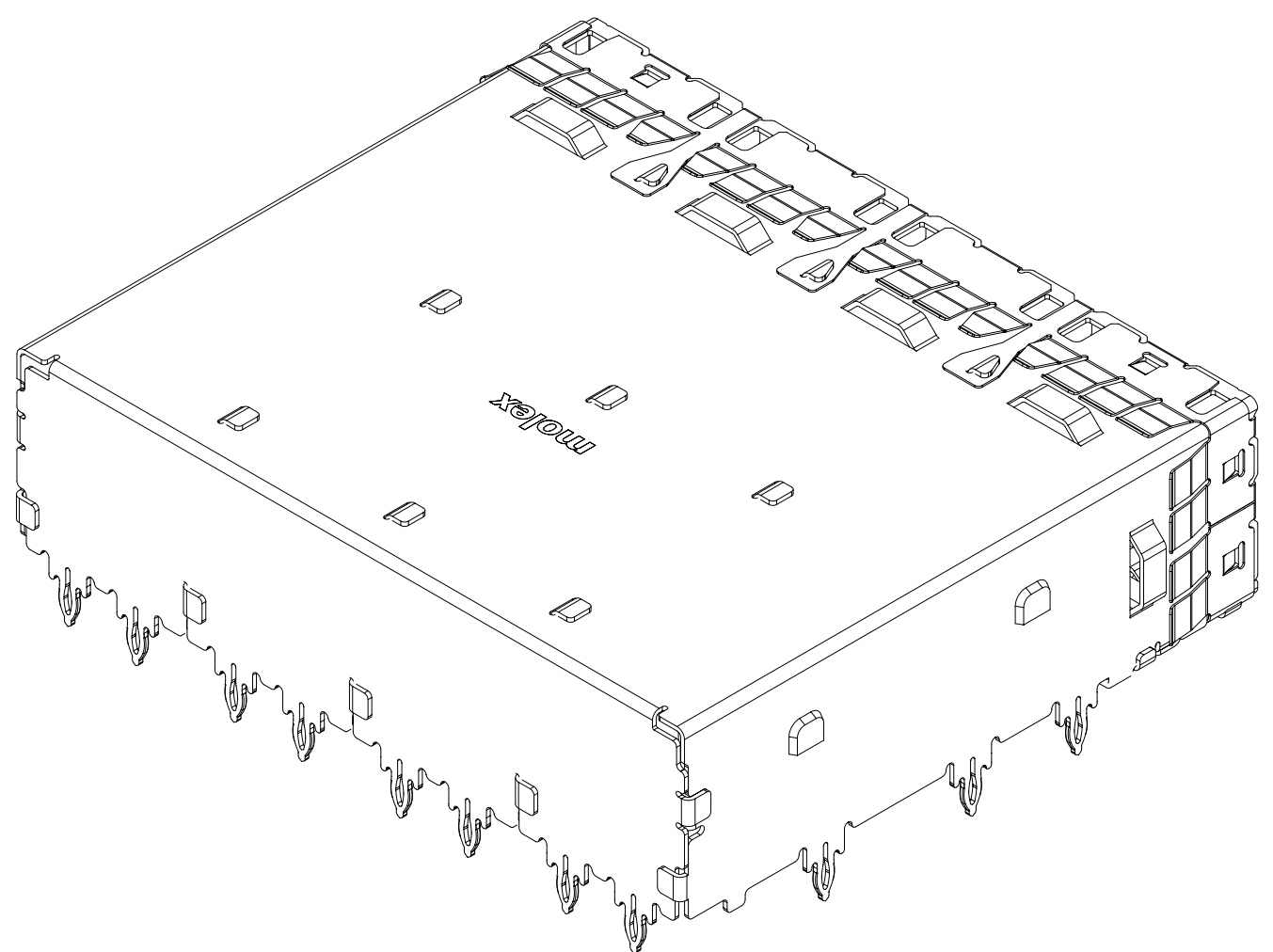


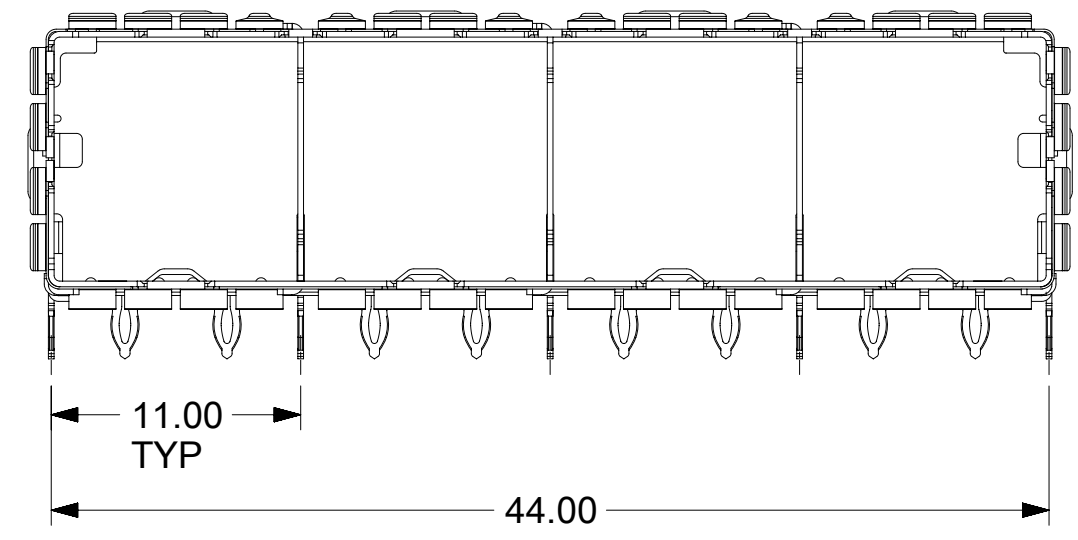
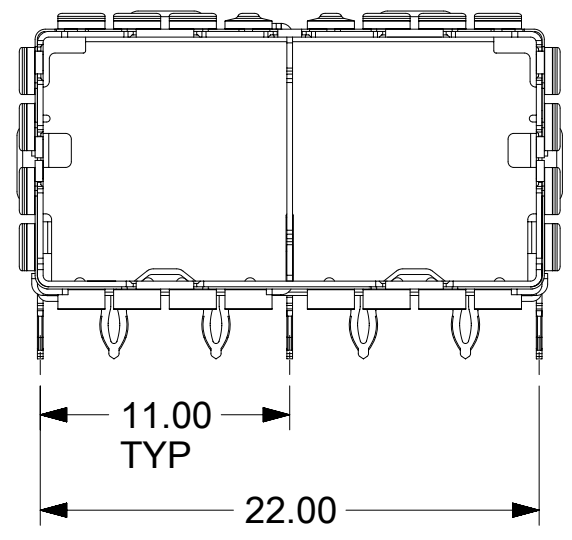
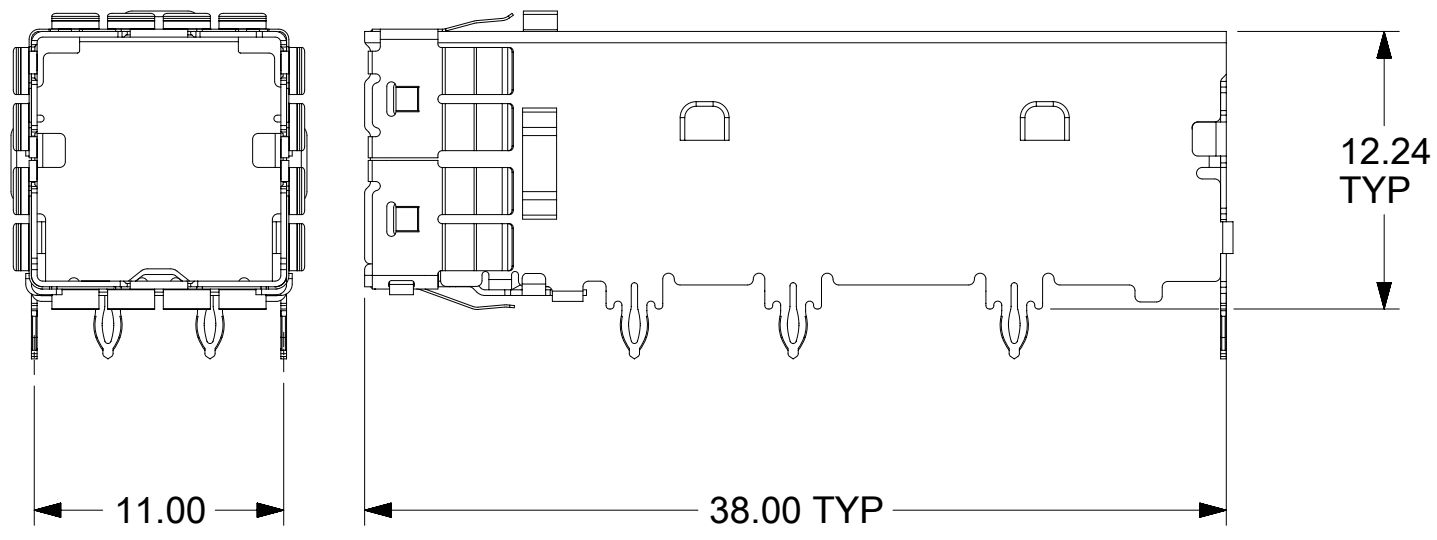
1X1



1X2




1X4



- NOTES:
- MATERIALS:  
EMI CAGE: STAINLESS STEEL  
EMI FINGERS: COPPER ALLOY
  - FINISHES:  
EMI FINGERS: 0.50µM MIN NICKEL
  - FOR FOOTPRINT AND ASSEMBLY INFORMATION REFER TO SALES DRAWING: PDD 1724731111
  - MOUNTING INFORMATION REFER TO APPLICATION SPECIFICATION 1724730001
  - PACKAGING SPECIFICATION: PDD 1724738000
  - THIS PART CONFORMS TO CLASS C REQUIREMENTS OF MOLEX COSMETIC SPECIFICATION PS-45499-002

CONFIGURATION	MATERIAL NUMBER
1X1	1724735001
1X2	1724735002
1X4	1724735004

THIS DRAWING CONTAINS INFORMATION THAT IS PROPRIETARY TO MOLEX ELECTRONIC TECHNOLOGIES, LLC AND SHOULD NOT BE USED WITHOUT WRITTEN PERMISSION									
SYMBOLS		DIMENSION UNITS		SCALE		CURRENT REV DESC:			
▽ = 0	mm	3:1							
▽ = 0	GENERAL TOLERANCES (UNLESS SPECIFIED)								
▽ = 0	ANGULAR TOL ± 1.0°								
▽ = 0	4 PLACES ±				EC NO: 178504				
▽ = 0	3 PLACES ± 0.1				DRWN: AKOLAK		2018/06/28		
▽ = 0	2 PLACES ± 0.15				CHK'D: TMCLELLAND		2018/06/28		
▽ = 0	1 PLACE ± 0.25				APPR: TMCLELLAND		2018/06/28		
⊠ = 0	0 PLACES ±				INITIAL REVISION:				
■ = 0	DRAFT WHERE APPLICABLE MUST REMAIN WITHIN DIMENSIONS		THIRD ANGLE PROJECTION		DRAWING		SERIES		
▽ = 0			C-SIZE		172473				
DOCUMENT STATUS		P1		RELEASE DATE		2018/06/28		19:22:27	



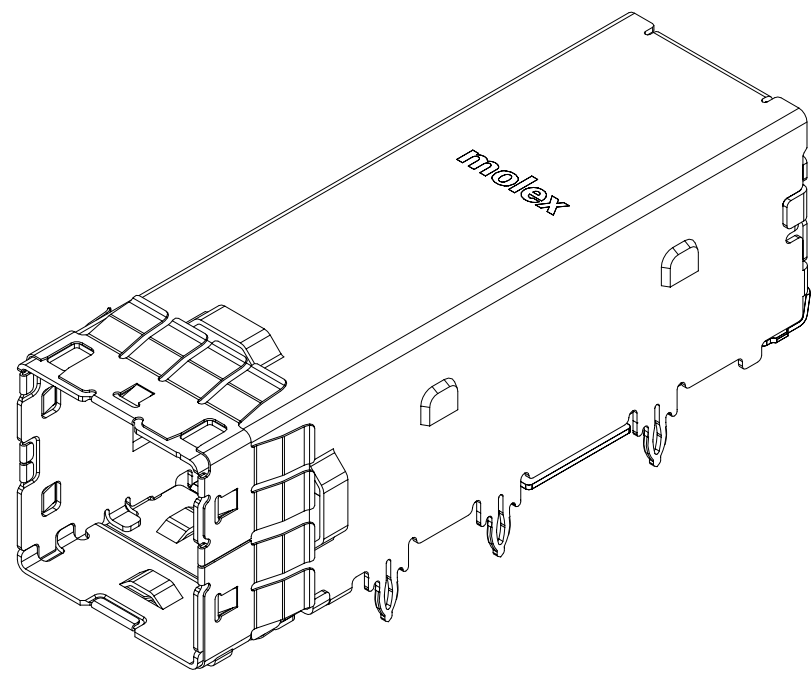
IPASS ZHD RA SMT EXTERNAL CAGE SD

PRODUCT CUSTOMER DRAWING

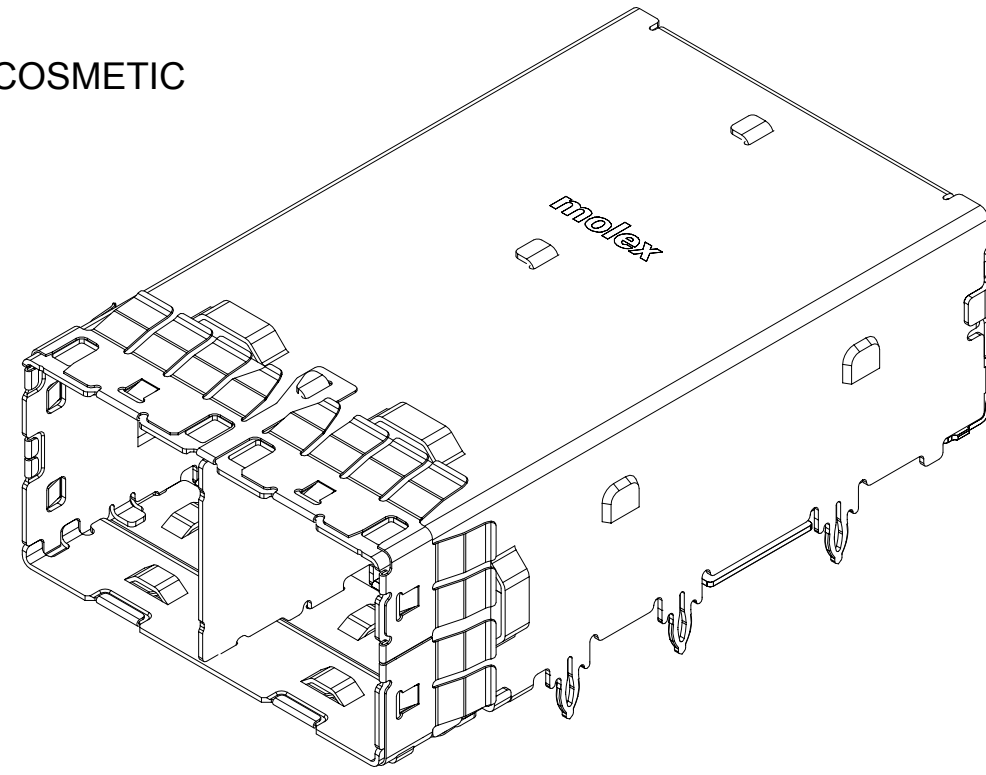
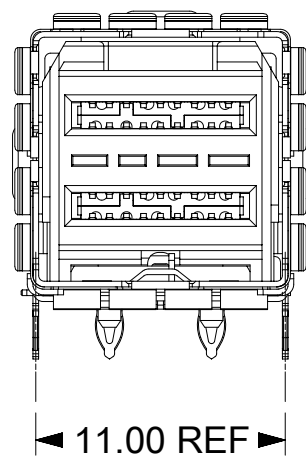
DOCUMENT NUMBER	DOC TYPE	DOC PART	REVISION
1724730012	PSD	000	A1

MATERIAL NUMBER	CUSTOMER	SHEET NUMBER
SEE TABLE	GENERAL MARKET	1 OF 1

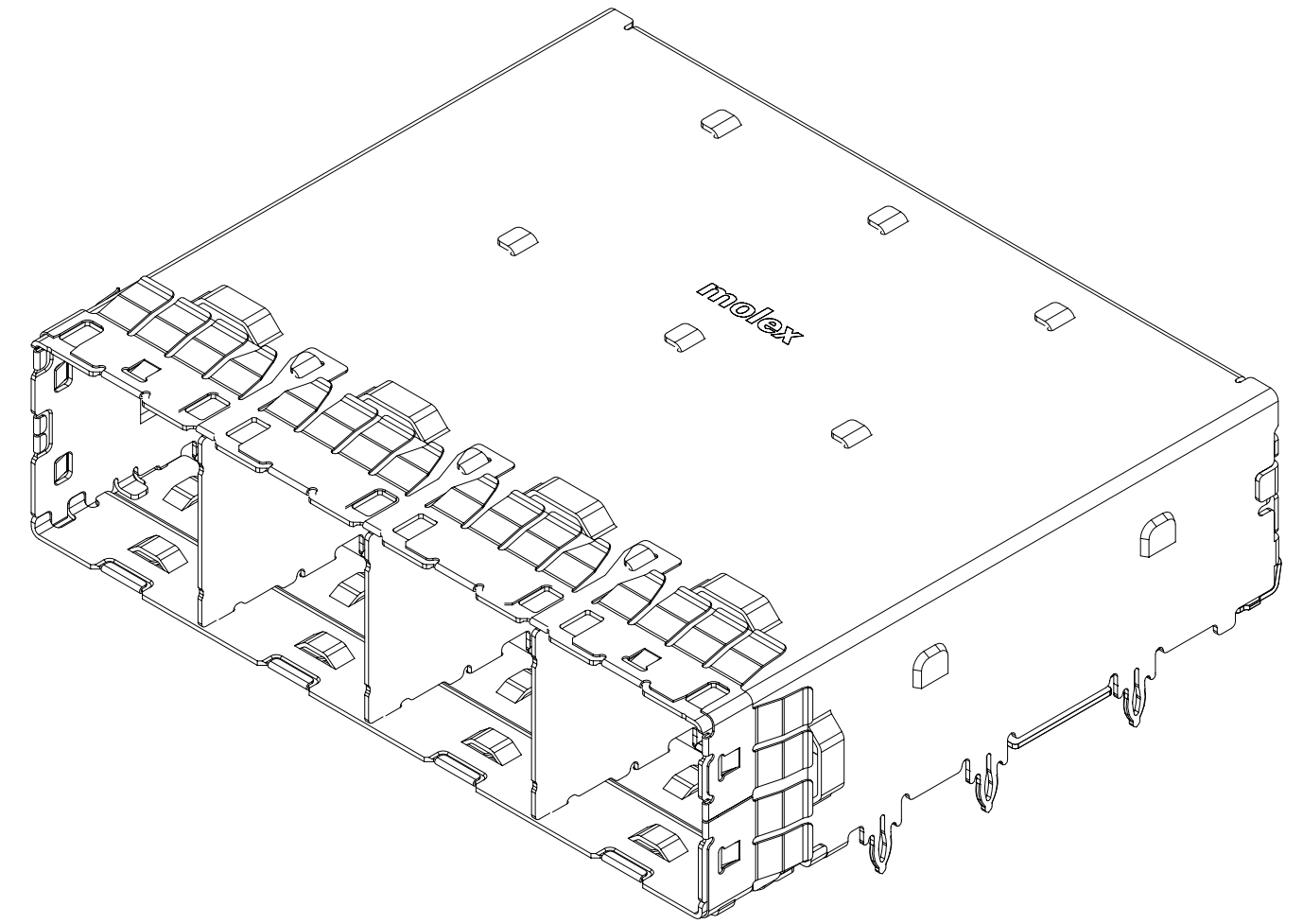
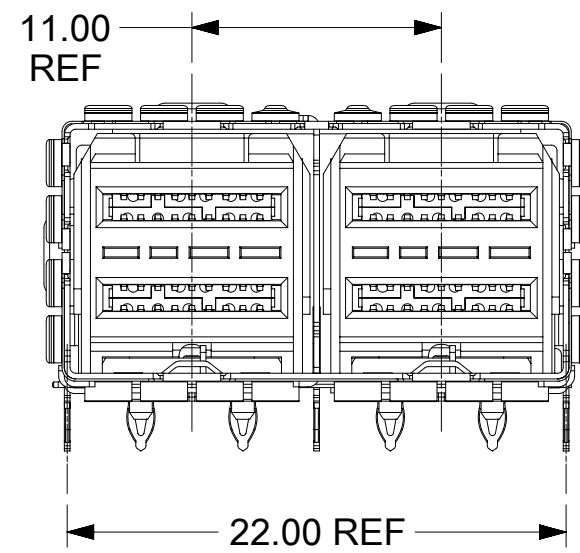
- NOTES:
1. FOR 2 PEG CONNECTOR DETAILS REFER TO SALES DRAWING: PSD 1724730011
  2. FOR 3 PEG CONNECTOR DETAILS REFER TO SALES DRAWING: PSD 1724739995
  3. FOR CAGE DETAILS REFER TO SALES DRAWING: PSD 1724730012
  4. PRODUCT SPECIFICATION: 1724730011
  5. MOUNTING INFORMATION: REFER TO APPLICATION SPECIFICATION: 1724730001
  6. MATES WITH: MOLEX CABLE SERIES 111068, 111073, 111074, & 111075
  7. PLUG MODULE PCB LAYOUT REFER TO SD-76866-9900
  8. THIS PART CONFORMS TO CLASS C REQUIREMENTS OF MOLEX COSMETIC SPECIFICATION PS-45499-002



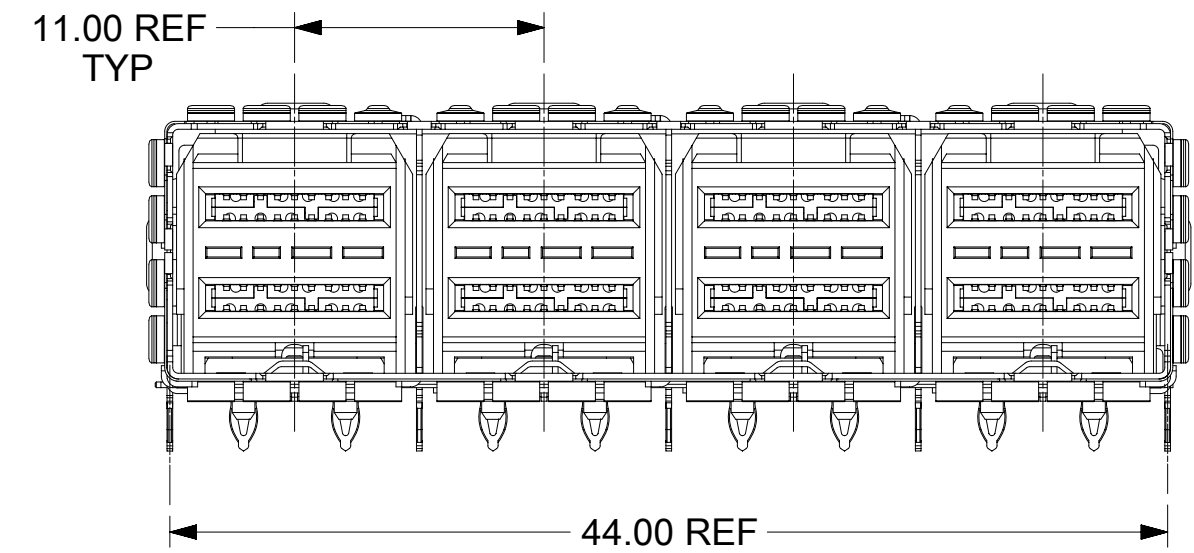
1 X 1



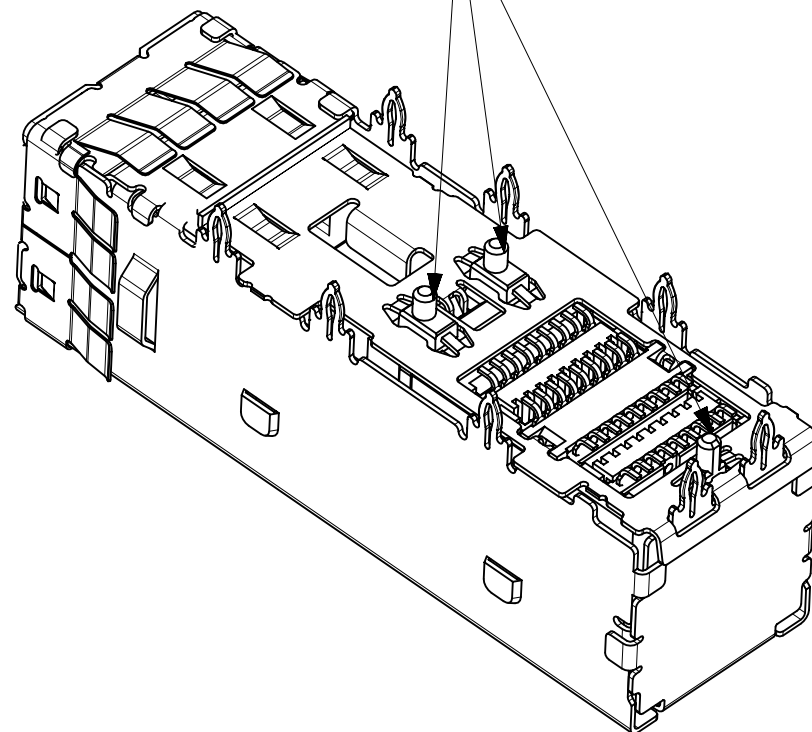
1 X 2



1 X 4

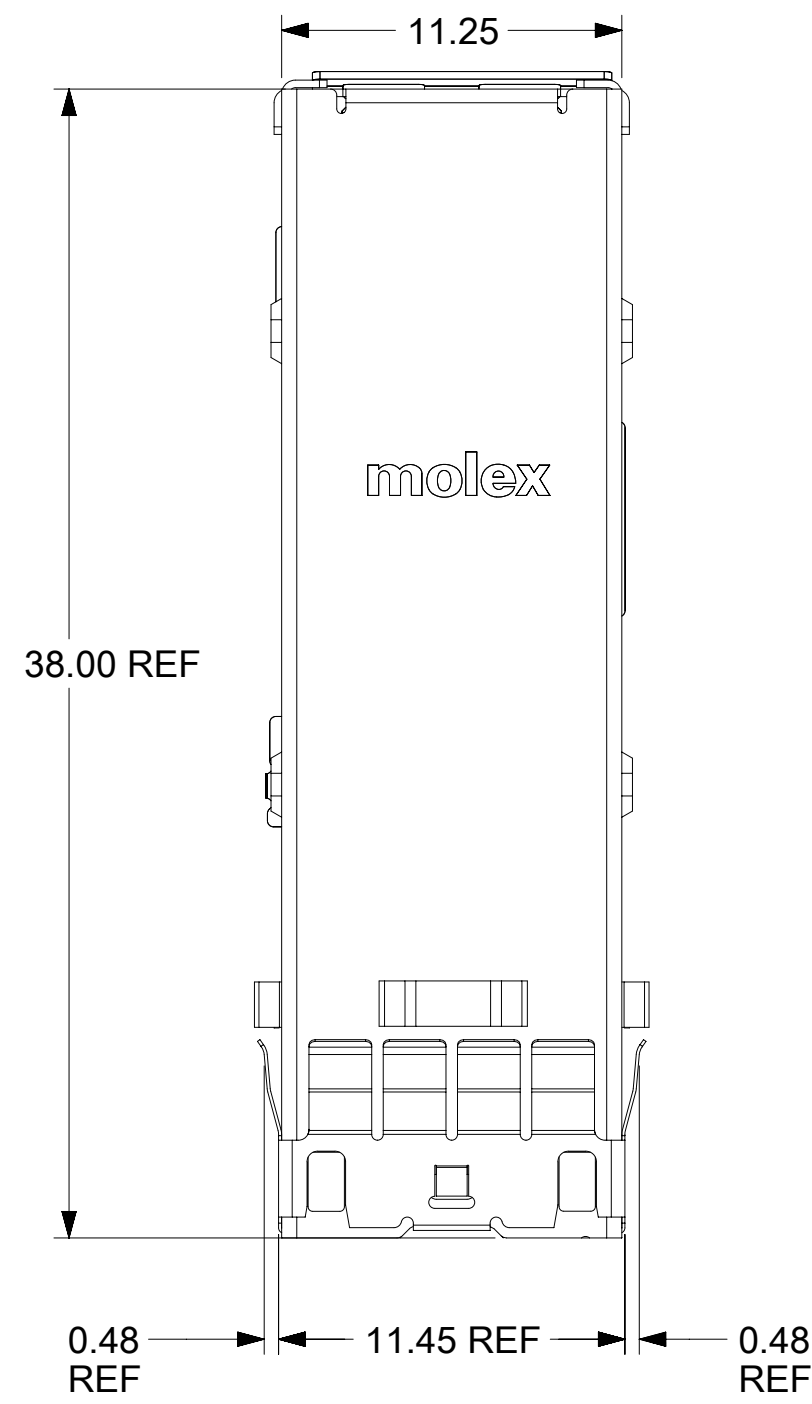


1724739995 CONNECTOR WITH 3 PEG

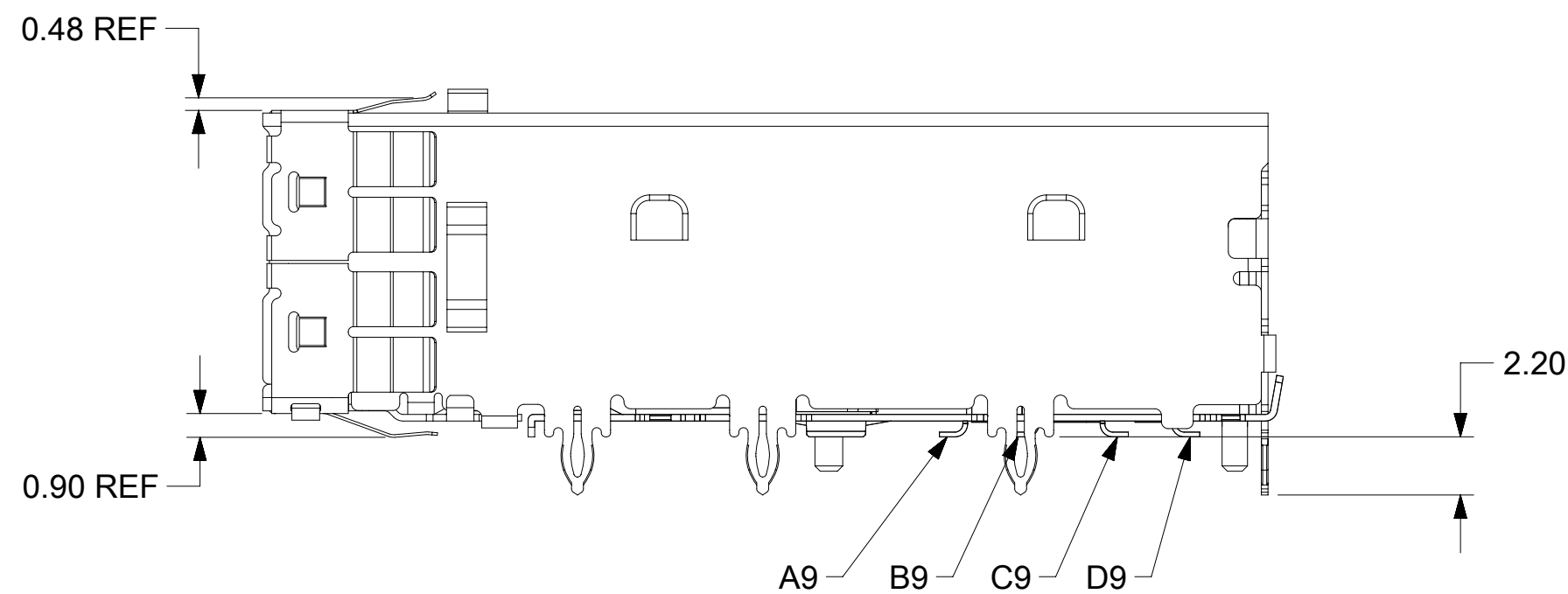
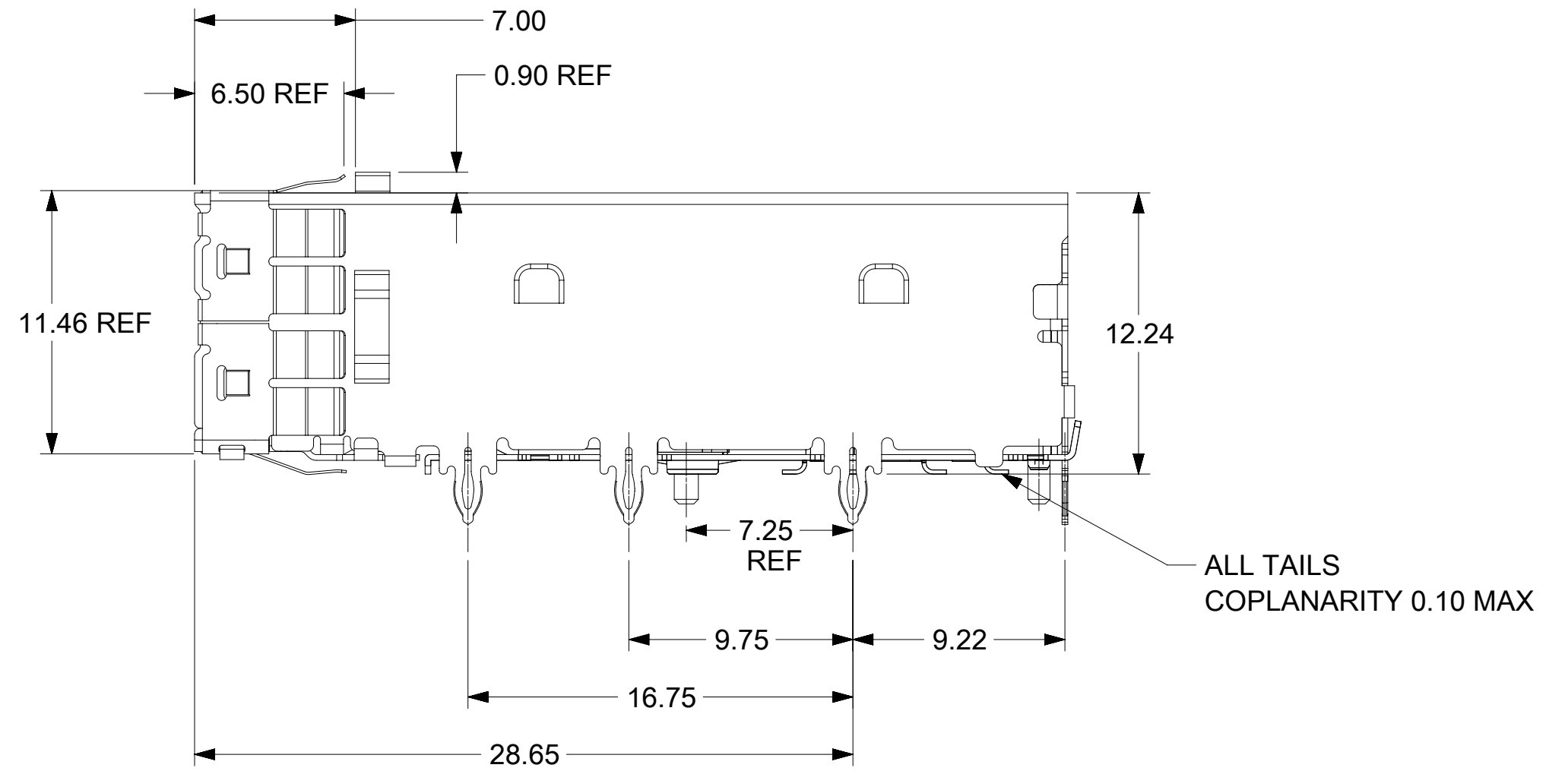
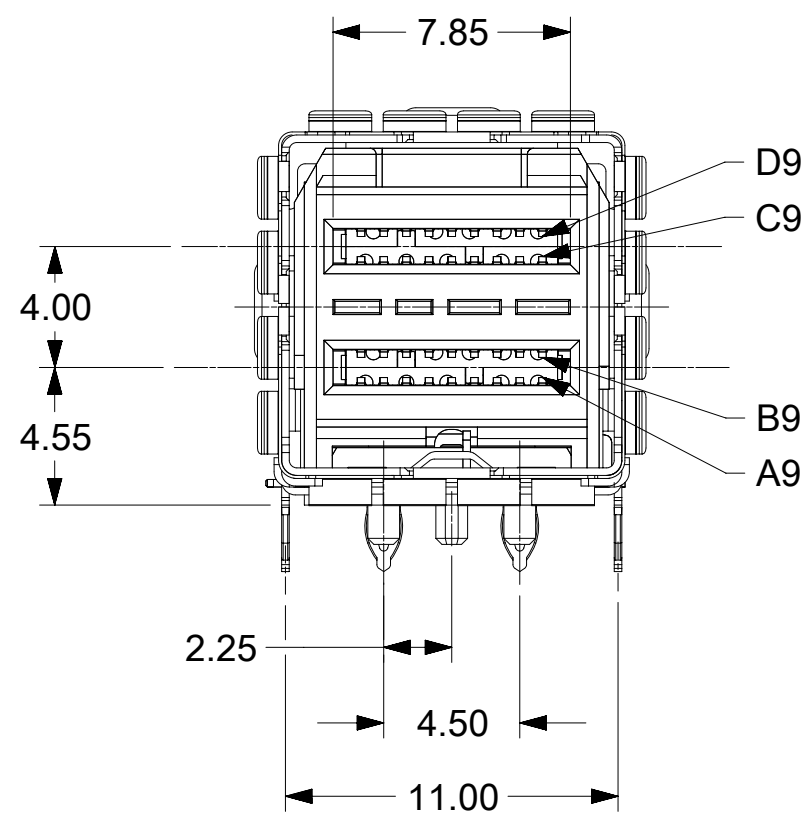


CONFIGURATION	MATERIAL NUMBER	
	CAGE	CONNECTOR WITH 3 PEG
1 x 1	1724735001	1724739995 (1X)
1 x 2	1724735002	1724739995 (2X)
1 x 4	1724735004	1724739995 (4X)

FUNCTIONAL SYMBOLS $\nabla_A = 0$ $\nabla_C = 0$ $\nabla_P = 0$ DIVISIONAL SYMBOLS	THIS DRAWING CONTAINS INFORMATION THAT IS PROPRIETARY TO MOLEX ELECTRONIC TECHNOLOGIES, LLC AND SHOULD NOT BE USED WITHOUT WRITTEN PERMISSION		CURRENT REV DESC:		
	DIMENSION UNITS	SCALE	EC NO: 733789		
	mm	3:1	DRWN: SUGEEB		
	GENERAL TOLERANCES (UNLESS SPECIFIED)		2023/01/03		
ANGULAR TOL ± °		CHK'D: GGA		2023/01/19	PRODUCT CUSTOMER DRAWING DOCUMENT NUMBER: 1724731111 DOC TYPE: PSD DOC PART: 001 REVISION: B6
4 PLACES ±		APPR: GGA		2023/01/19	
3 PLACES ± 0.1		INITIAL REVISION:		2017/11/10	MATERIAL NUMBER: SEE TABLE CUSTOMER: GENERAL MARKET SHEET NUMBER: 1 OF 5
2 PLACES ± 0.15		DRWN: AKOLAK		2018/06/27	
1 PLACE ± 0.25		APPR: TMCLELLAND		2018/06/27	
0 PLACES ±		THIRD ANGLE PROJECTION	DRAWING	SERIES	
DRAFT WHERE APPLICABLE MUST REMAIN WITHIN DIMENSIONS			C-SIZE	172473	



SHOWN 1X1 ASSEMBLY WITH 1724739995 CONNECTOR

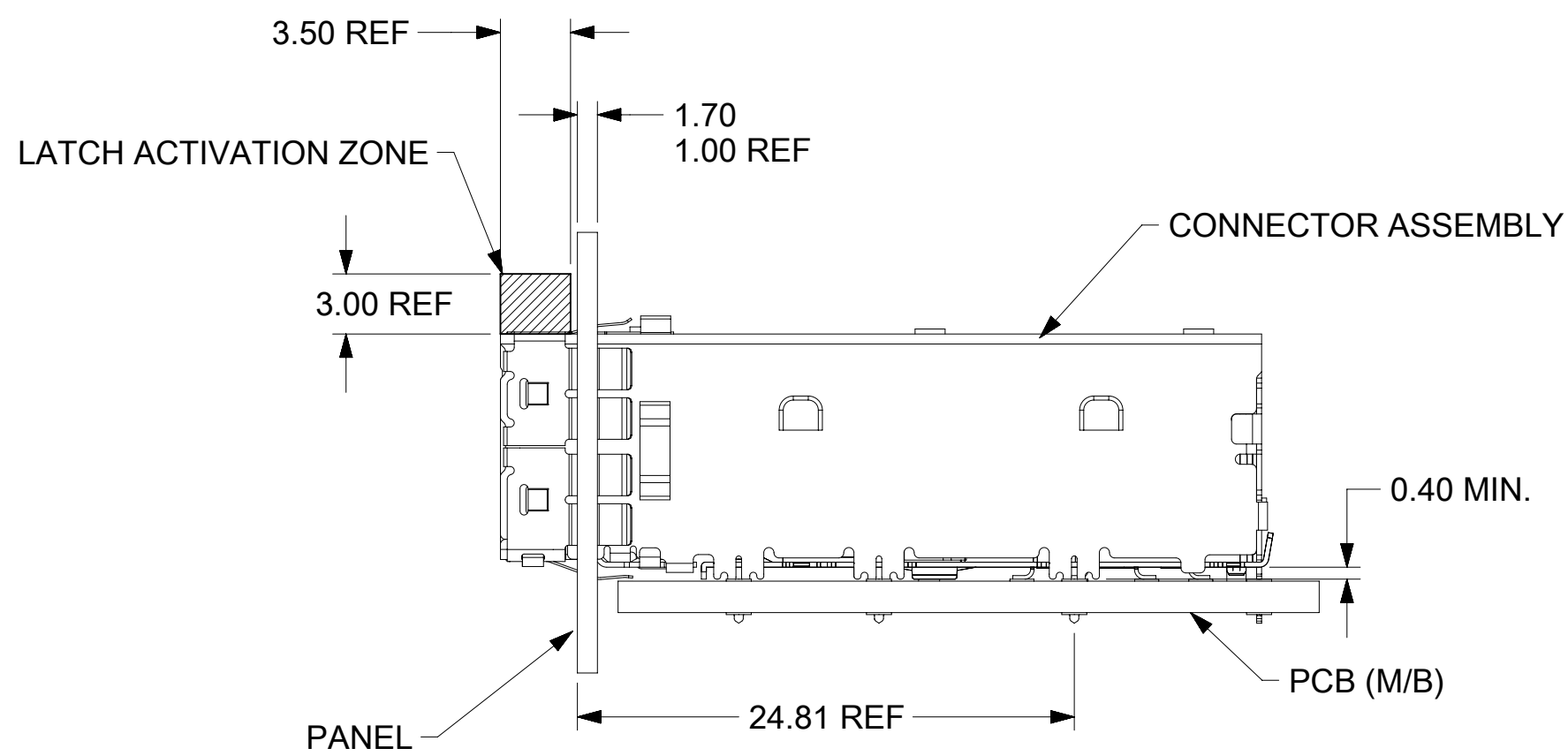


FUNCTIONAL SYMBOLS	THIS DRAWING CONTAINS INFORMATION THAT IS PROPRIETARY TO MOLEX ELECTRONIC TECHNOLOGIES, LLC AND SHOULD NOT BE USED WITHOUT WRITTEN PERMISSION		
	DIMENSION UNITS	SCALE	CURRENT REV DESC:
$\nabla_A = 0$	mm	4:1	EC NO: 733789 DRWN: SUGEEB CHK'D: GGA APPR: GGA
$\nabla_C = 0$	GENERAL TOLERANCES (UNLESS SPECIFIED)		
$\nabla_P = 0$	ANGULAR TOL	± °	2023/01/03
DIVISIONAL SYMBOLS	4 PLACES	±	2023/01/19
	3 PLACES	± 0.1	2023/01/19
	2 PLACES	± 0.15	2023/01/19
	1 PLACE	± 0.25	
	0 PLACES	±	
DRAFT WHERE APPLICABLE MUST REMAIN WITHIN DIMENSIONS		THIRD ANGLE PROJECTION	INITIAL REVISION: DRWN: AKOLAK APPR: TMCLELLAND
		DRAWING	2017/11/10
		SERIES	2018/06/27
		C-SIZE	172473
DOCUMENT STATUS		P1	RELEASE DATE
2023/01/19		04:51:45	
MATERIAL NUMBER		CUSTOMER	SHEET NUMBER
SEE TABLE		GENERAL MARKET	2 OF 5
DOCUMENT NUMBER		DOC TYPE	DOC PART
1724731111		PSD	001
		REVISION	B6

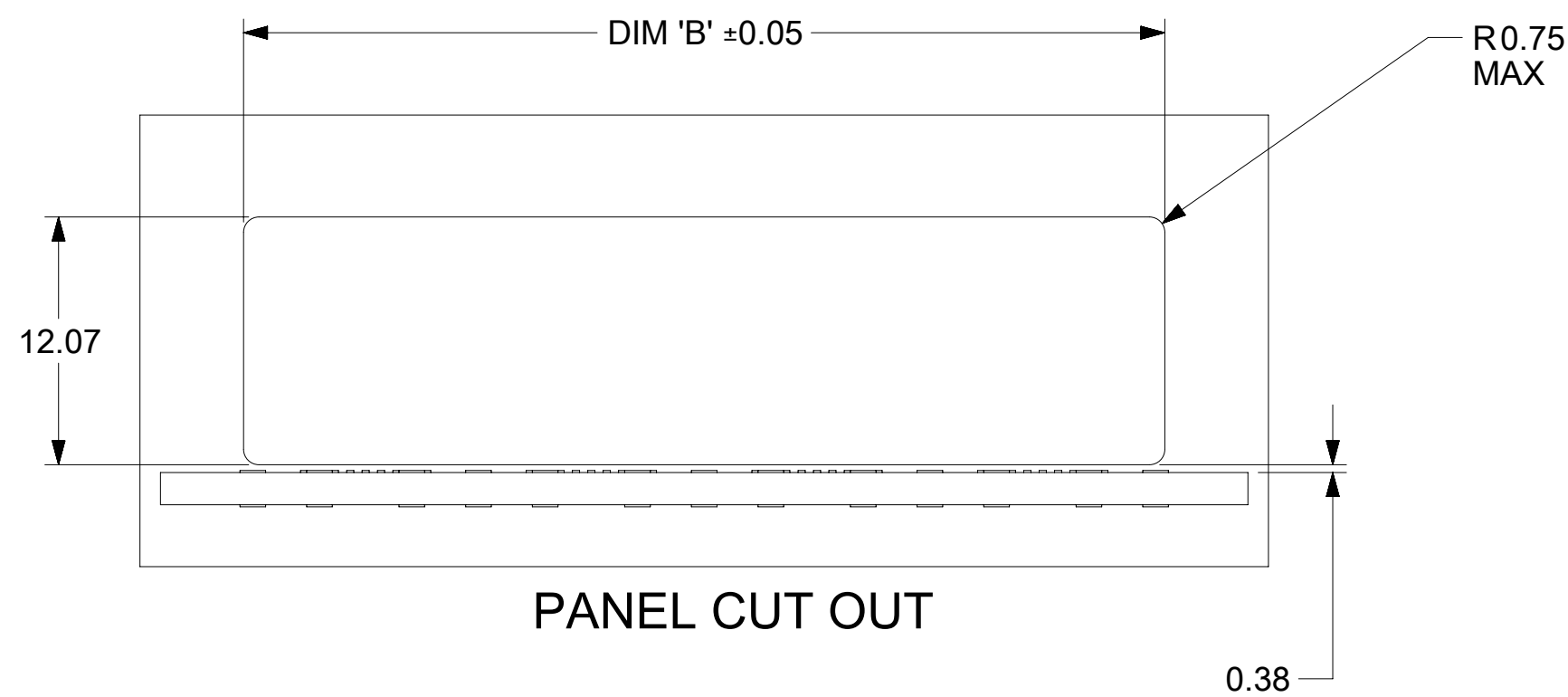
**molex**

IPASS RA SMT EXTERNAL SD

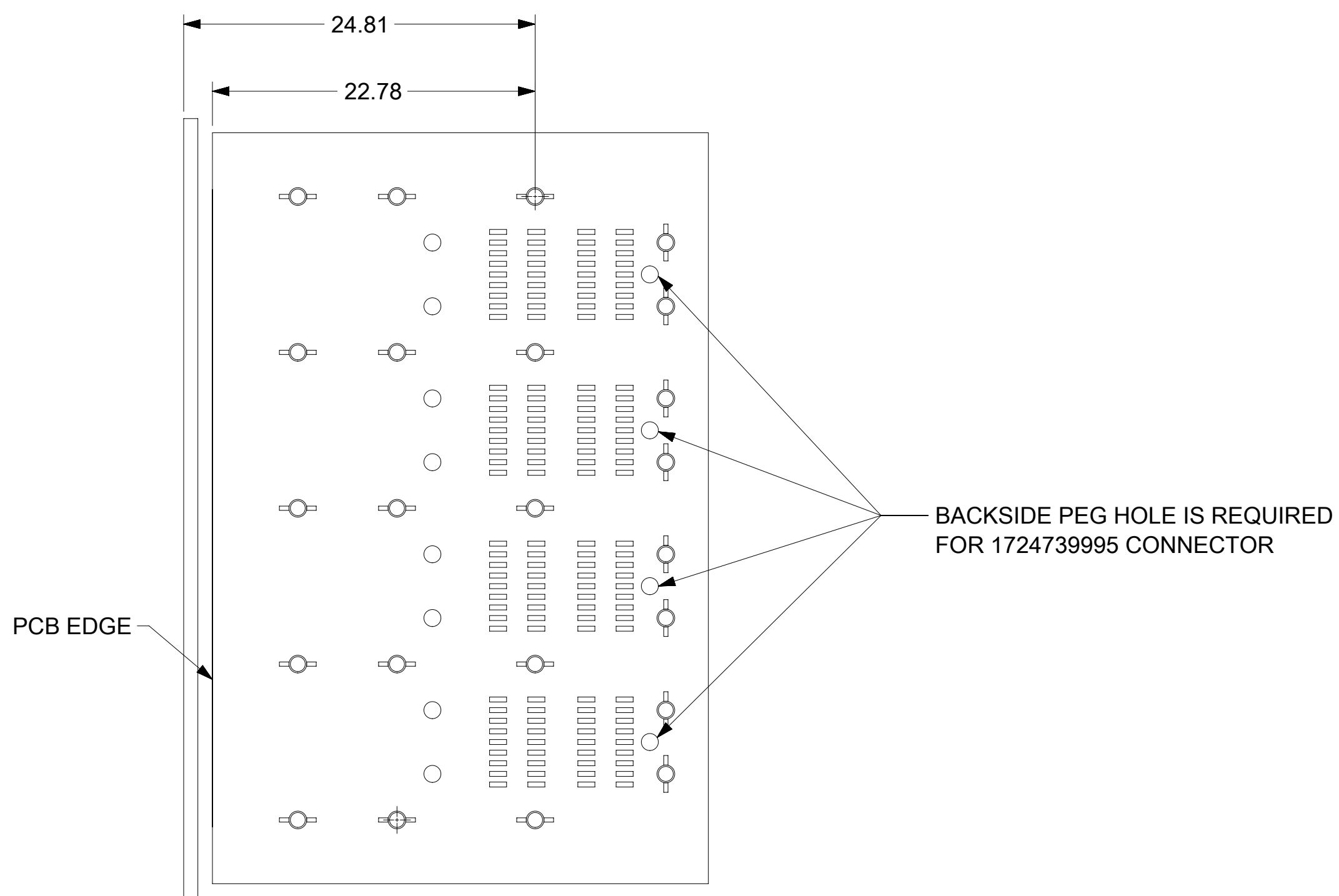
PRODUCT CUSTOMER DRAWING



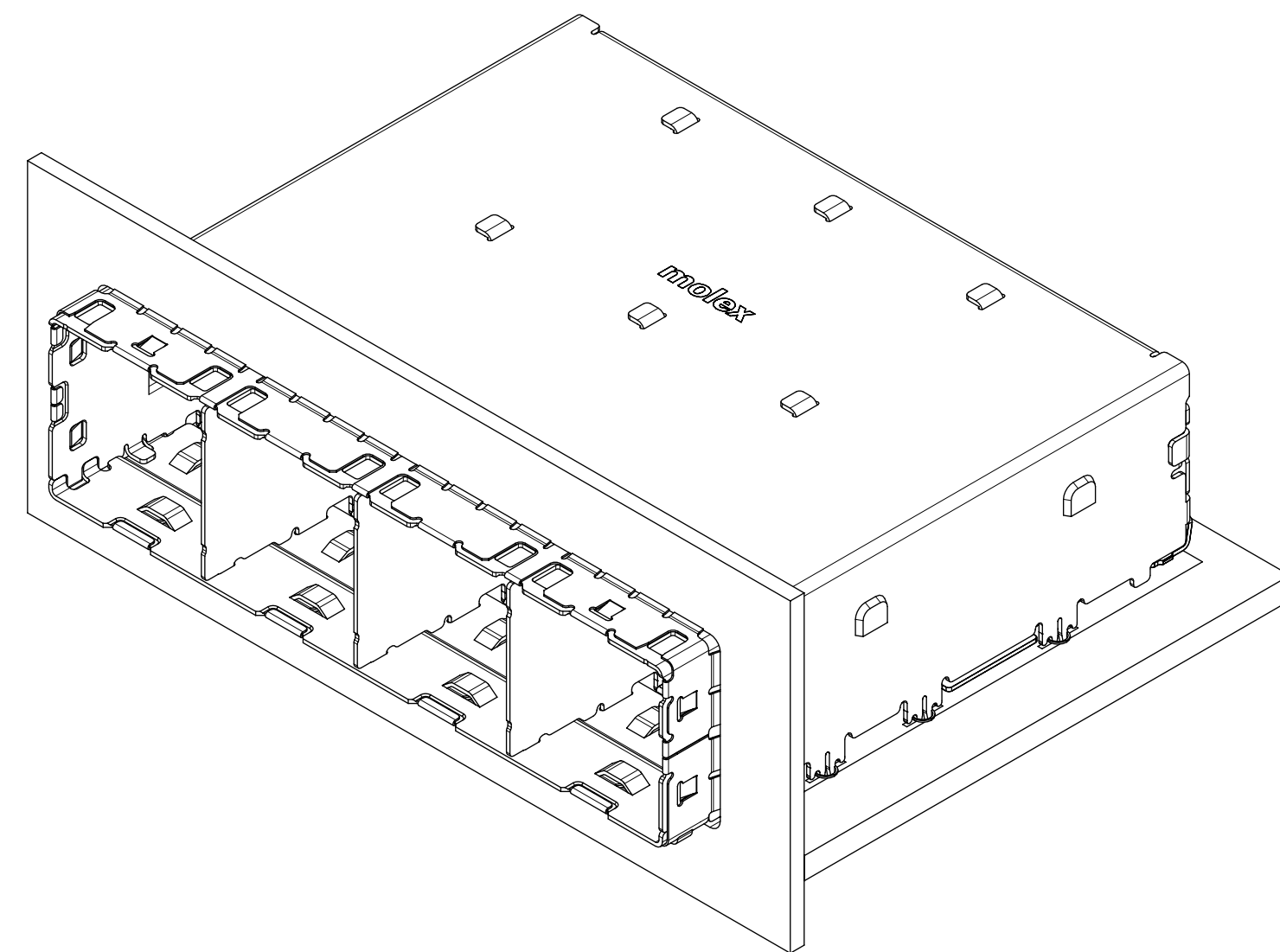
ASSEMBLED VIEW



PANEL CUT OUT



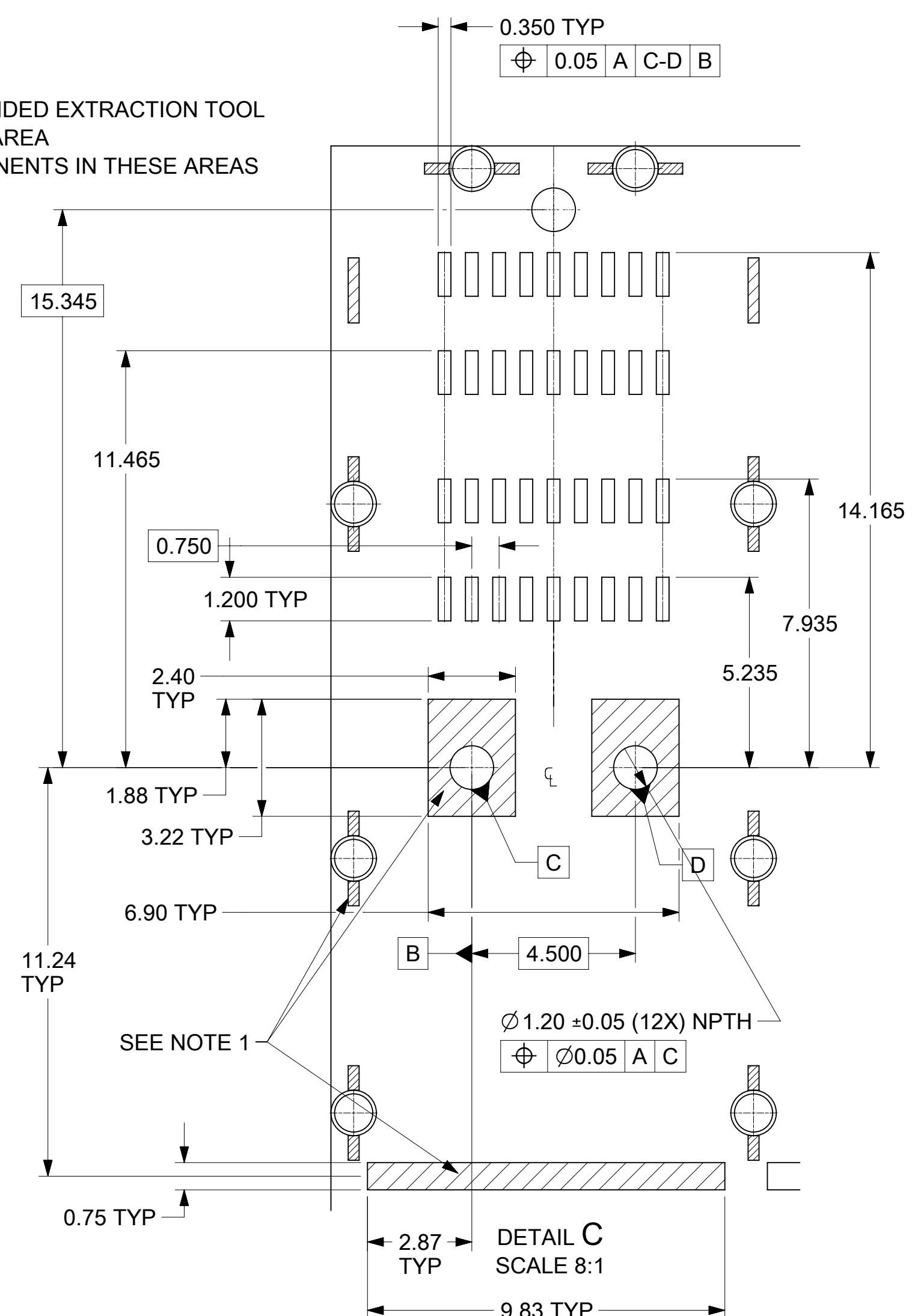
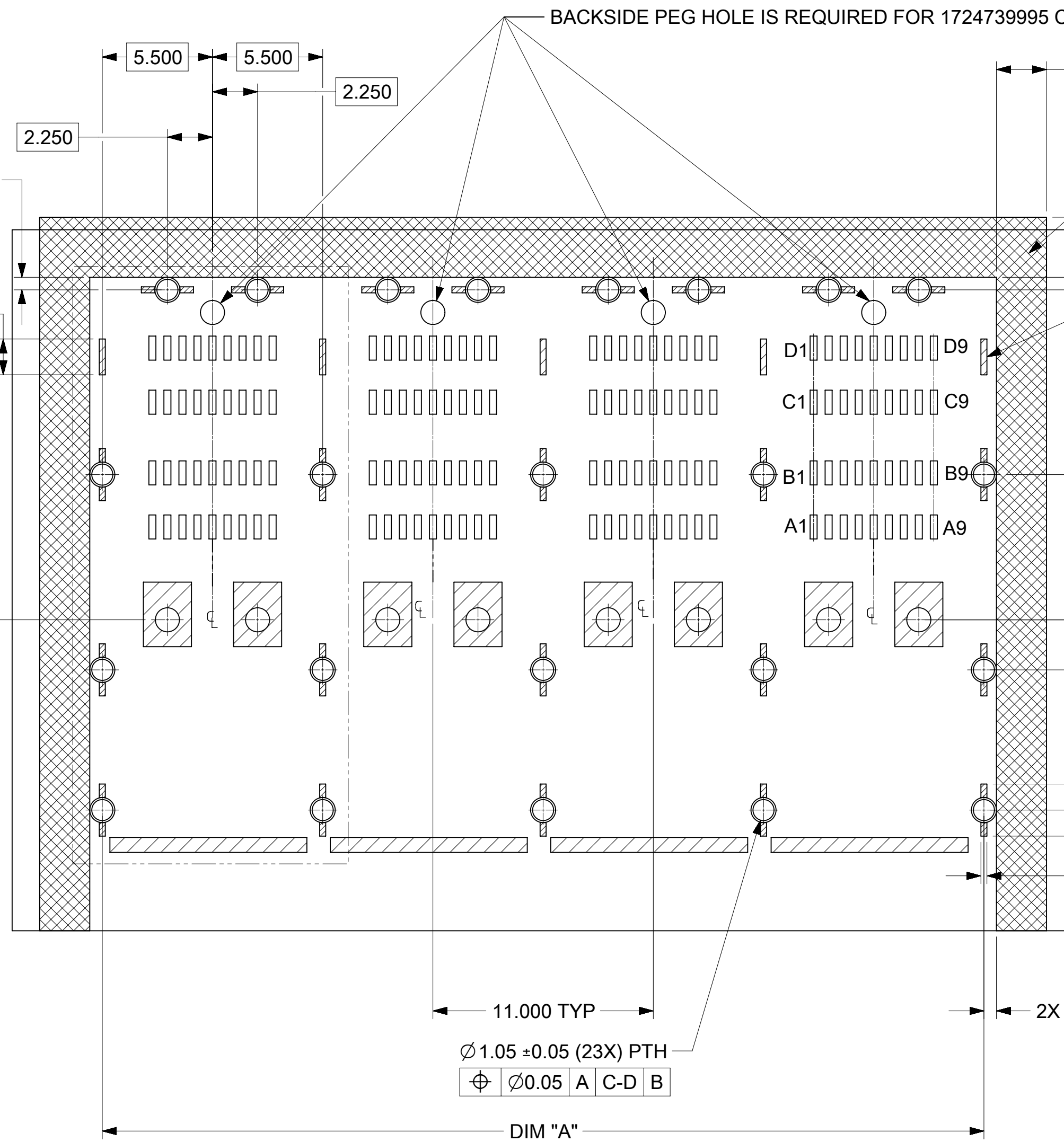
PCB TO PANEL VIEW



CONFIGURATION	DIM 'A' (MIN)	DIM 'B'
1 X 1	12.00.	11.90
1 X 2	23.00	22.90
1 X 4	45.00	44.90

<b>FUNCTIONAL SYMBOLS</b> $\nabla_A = 0$ $\nabla_C = 0$ $\nabla_P = 0$	THIS DRAWING CONTAINS INFORMATION THAT IS PROPRIETARY TO MOLEX ELECTRONIC TECHNOLOGIES, LLC AND SHOULD NOT BE USED WITHOUT WRITTEN PERMISSION		<b>moLEX</b>  IPASS RA SMT EXTERNAL SD  PRODUCT CUSTOMER DRAWING				
	<b>GENERAL TOLERANCES (UNLESS SPECIFIED)</b> DIMENSION UNITS: <b>mm</b> SCALE: <b>3:1</b>	CURRENT REV DESC: EC NO: 733789 DRWN: SUGEEB CHK'D: GGA APPR: GGA					2023/01/03 2023/01/19 2023/01/19
	<b>DIVISIONAL SYMBOLS</b> 4 PLACES ± 3 PLACES ± 0.1 2 PLACES ± 0.15 1 PLACE ± 0.25 0 PLACES ±	INITIAL REVISION: DRWN: AKOLAK APPR: TMCLELLAND	2017/11/10 2018/06/27	DOCUMENT NUMBER <b>1724731111</b>	DOC TYPE <b>PSD</b>	DOC PART <b>001</b>	REVISION <b>B6</b>
	DRAFT WHERE APPLICABLE MUST REMAIN WITHIN DIMENSIONS	THIRD ANGLE PROJECTION 	DRAWING <b>C-SIZE</b>	SERIES <b>172473</b>	MATERIAL NUMBER SEE TABLE	CUSTOMER GENERAL MARKET	SHEET NUMBER 3 OF 5

DOCUMENT STATUS	P1	RELEASE DATE	2023/01/19	04:51:45
-----------------	----	--------------	------------	----------




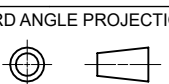
CONFIGURATION	DIM "A"
1 X 1	11.00 REF
1 X 2	22.00 REF
1 X 4	44.00 REF

SHOWN 1X4 RECOMMENDED FOOTPRINT

- NOTES:
- KEEP OUT ZONE: TRACES, VIAS AND COMPONENT ARE NOT ALLOWED ON SURFACE OF PCB IN THESE AREAS;
  - THE ENTIRE AREA UNDER THE CONNECTOR IS A COMPONENT KEEP OUT ZONE, THE DETAIL INFORMATION REFER TO SI ROUTING SPEC. 1724730100.

FUNCTIONAL SYMBOLS		THIS DRAWING CONTAINS INFORMATION THAT IS PROPRIETARY TO MOLEX ELECTRONIC TECHNOLOGIES, LLC AND SHOULD NOT BE USED WITHOUT WRITTEN PERMISSION		CURRENT REV DESC:	
$\nabla_A = 0$	DIMENSION UNITS	SCALE			
$\nabla_C = 0$	mm	5:1			
$\nabla_P = 0$	GENERAL TOLERANCES (UNLESS SPECIFIED)				
DIVISIONAL SYMBOLS		ANGULAR TOL			
4 PLACES	±	°			
3 PLACES	±	0.1			
2 PLACES	±	0.15			
1 PLACE	±	0.25			
0 PLACES	±				
DRAFT WHERE APPLICABLE MUST REMAIN WITHIN DIMENSIONS		THIRD ANGLE PROJECTION	DRAWING	SERIES	MATERIAL NUMBER
			C-SIZE	172473	SEE TABLE
		EC NO: 733789		2023/01/03	
		DRWN: SUGEEB		2023/01/19	
		CHK'D: GGA		2023/01/19	
		APPR: GGA			
		INITIAL REVISION:			
		DRWN: AKOLAK		2017/11/10	
		APPR: TMCLELLAND		2018/06/27	
		DOCUMENT NUMBER		DOC TYPE   DOC PART   REVISION	
		1724731111		PSD   001   B6	
		CUSTOMER		SHEET NUMBER	
		GENERAL MARKET		4 OF 5	

DATE	VERSION	DESCRIPTION
2021/11/16	B3	1. UPDATE THE DEFINITION OF DATUM A AND DATUM B ON PCB; 2. ADDED NEW 3 PEG 1724739995 CONNECTOR INFORMATION
2022/04/12	B5	1. UPDATE TOP SURFANCE KEEP OUT AREA; 2.CANCEL REPEAT SHOWN PAGE.
2023/01/03	B6	1. REMOVED OBSOLETED PART 1724736001 2 PEG CONNECTOR.

FUNCTIONAL SYMBOLS	THIS DRAWING CONTAINS INFORMATION THAT IS PROPRIETARY TO MOLEX ELECTRONIC TECHNOLOGIES, LLC AND SHOULD NOT BE USED WITHOUT WRITTEN PERMISSION													
$\frac{F}{A} = 0$ $\frac{F}{C} = 0$ $\frac{F}{P} = 0$	DIMENSION UNITS	SCALE	CURRENT REV DESC:											
	mm	1:1	EC NO: 733789 DRWN: SUGEEB 2023/01/03 CHK'D: GGA 2023/01/19 APPR: GGA 2023/01/19											
GENERAL TOLERANCES (UNLESS SPECIFIED)			PRODUCT CUSTOMER DRAWING							DOCUMENT NUMBER		DOC TYPE	DOC PART	REVISION
ANGULAR TOL ± °			INITIAL REVISION:							1724731111		PSD	001	B6
4 PLACES ±			DRWN: AKOLAK 2017/11/10							MATERIAL NUMBER		CUSTOMER		SHEET NUMBER
3 PLACES ± 0.1			APPR: TMCLELLAND 2018/06/27							SEE TABLE		GENERAL MARKET		5 OF 5
2 PLACES ± 0.15			DRAFT WHERE APPLICABLE MUST REMAIN WITHIN DIMENSIONS							C-SIZE		172473		
1 PLACE ± 0.25			THIRD ANGLE PROJECTION							DRAWING		SERIES		
0 PLACES ±										MATERIAL NUMBER		CUSTOMER		SHEET NUMBER



IPASS RA SMT EXTERNAL SD

PRODUCT CUSTOMER DRAWING

1724731111

PSD 001 B6

SEE TABLE GENERAL MARKET 5 OF 5