

**Ratings**  
Voltage: 60 V  
Current: 1 A  
Waterproof: IP 67

**Operating Temperature Range**  
-40 ~ 85 °C

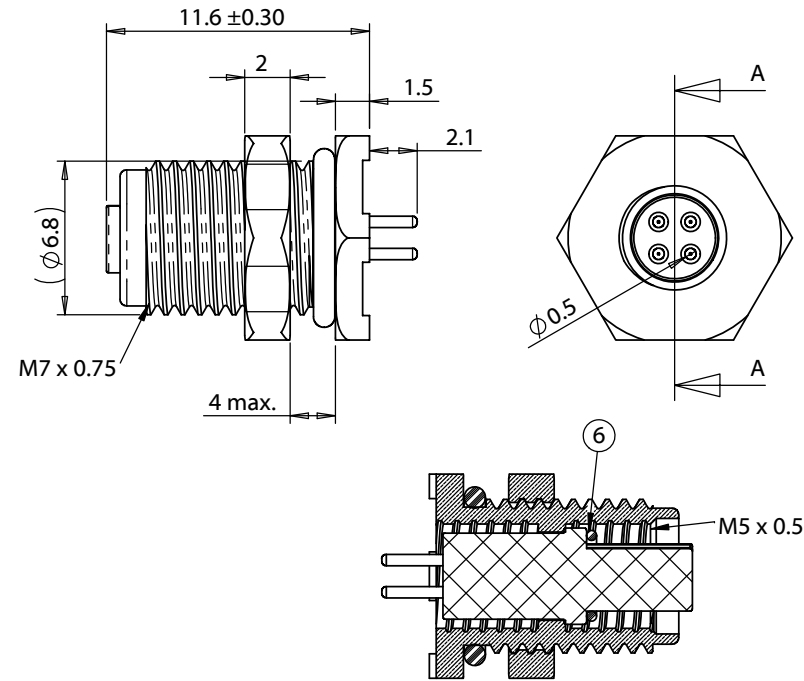
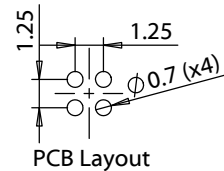
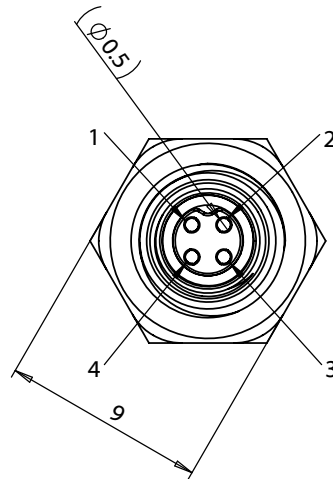
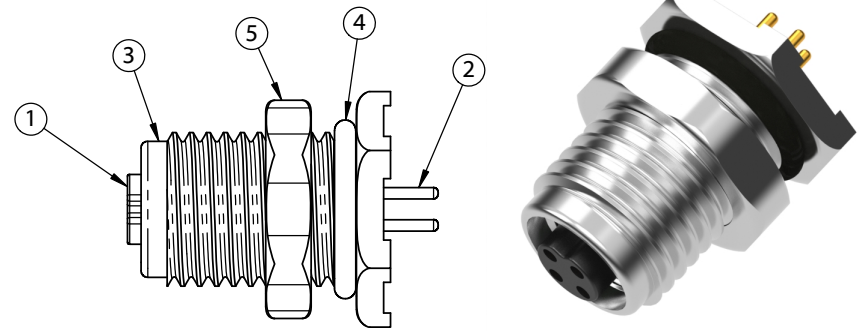
**Materials**  
① Insulator: Nylon 66 + 30% glass fiber, black  
② Sleeve: brass, gold-flashing  
③ Shell: brass, nickel plated  
④ O-ring: rubber  
⑤ Hexagonal nut: brass, nickel plated  
⑥ O-ring: rubber

**Electrical Requirements**  
Dielectric strength: 1 min @ 500 Vac  
Insulation resistance: 10<sup>8</sup> Ω min  
Contact resistance: 10 mΩ or less

**Mechanical Requirements**  
Insertion force: 0.82 kgf max  
Withdrawal force: 0.62 kgf max  
Life cycle: 500 mating cycles

**Environmental Requirements**  
Cold test: -25 °C for 2 hours without deformation  
Heat test: 85 °C for 16 hours while maintaining minimum 10<sup>8</sup> Ω insulation resistance

**Assembly info**  
Panel cutout: Ø7.1 mm recommended



SECTION A-A

Revision:	Date:	Description:	Prepared:	Notes:	<h1>TENSILITY</h1> tel 1.541.323.3228 800 877.670.7118 fax 1.541.323.4202 web tensility.com
A	3/5/2019	Initial release	Verified:	RoHS compliant Function test: no open, no short circuit, no intermittent	
			Dimensions are in millimeters. Tolerances: X: ± 0.3 mm X.X: ± 0.1 mm X.XX: ± 0.05 mm	Description: Connector, 4 pin M5 socket, 5xL13.7mm, gold plated, panel mount, PCB, IP67	Size: Part number: A 54-00154
					Scale: 3:1  Sheet 1 of 1