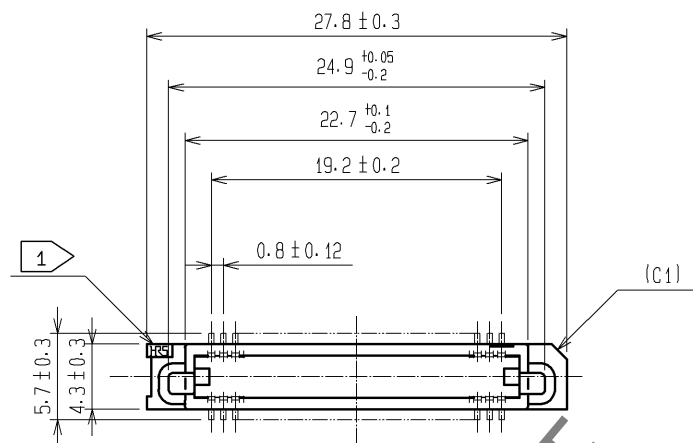
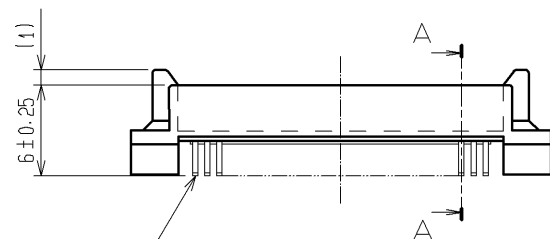
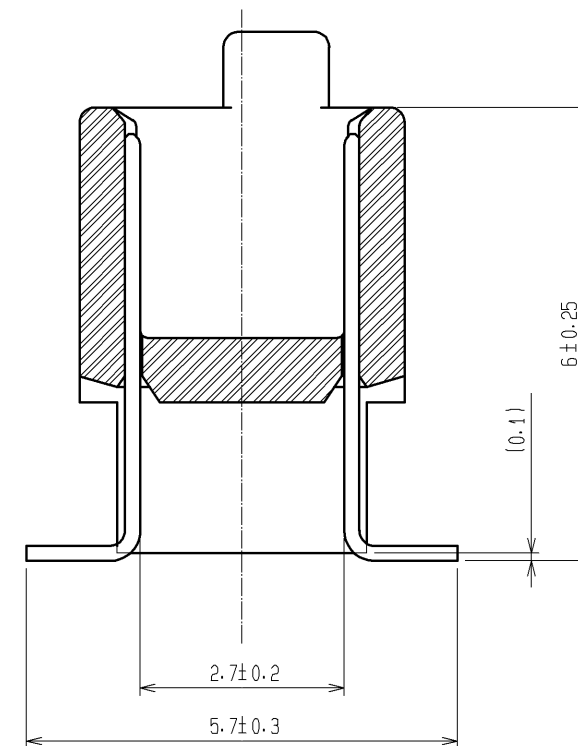


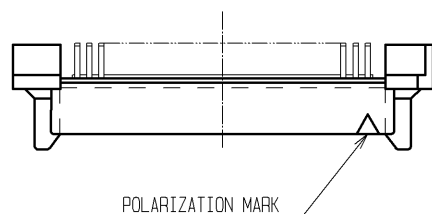
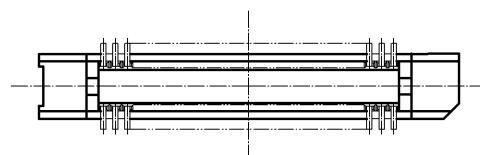
May.1.2023 Copyright 2023 HIROSE ELECTRIC CO., LTD. All Rights Reserved.
 In case of consideration for using Automotive equipment / device which demand high reliability, kindly contact our sales window correspondents.



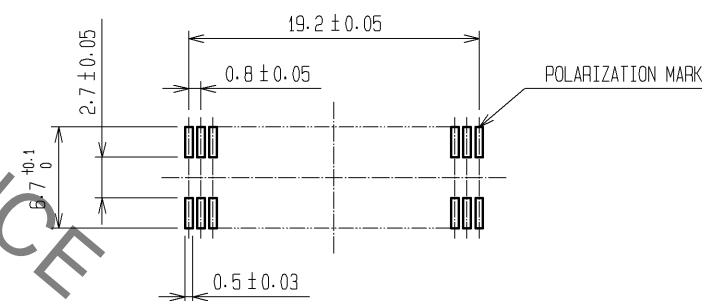
A-A (10:1)



$t: 0.2 \pm 0.05 \times w: 0.35 \pm 0.05$



RECOMMENDED LAND PATTERN DIMENSION OF P.C.B. (MOUNTING SIDE)



- NOTE
- 1 HRS MARK SHOULD BE OPTIONAL.
 - 2 LEAD CO-PLANARITY SHALL BE 0.1mm MAX.
 - 3 FOR MODIFICATION, ETC., PREVENTIVE HOLE FOR SINK MARK MAY BE ADDED ACCORDING TO CIRCUMSTANCES.
 - 4 THE DIMENSIONS IN PARENTHESES ARE FOR REFERENCE.

1	PPS	LIGHT BROWN (UL94V-0)	2	PHOSPHOR BRONZE	CONTACT AREA: GOLD 0.1μm min. LEAD AREA: TIN-PLATING 1μm min. UNDER PLATING: NICKEL 1μm min.			
NO.	MATERIAL	FINISH . REMARKS	NO.	MATERIAL	FINISH . REMARKS			
UNITS mm		SCALE 2 : 1	COUNT 	DESCRIPTION OF REVISIONS		DESIGNED	CHECKED	DATE
HRS HIROSE ELECTRIC CO., LTD.		APPROVED : HS. OKAWA	07.01.12	DRAWING NO.		EDC3-071644-21		
		CHECED : HS. OZAWA	07.01.12	PART NO.		FX6A-50P-0.8SV2(71)		
		DESIGNED : KT. DOI	07.01.12	CODE NO.		CL576-0244-5-71		
		DRAWN : TS. MIYAKI	07.01.11					