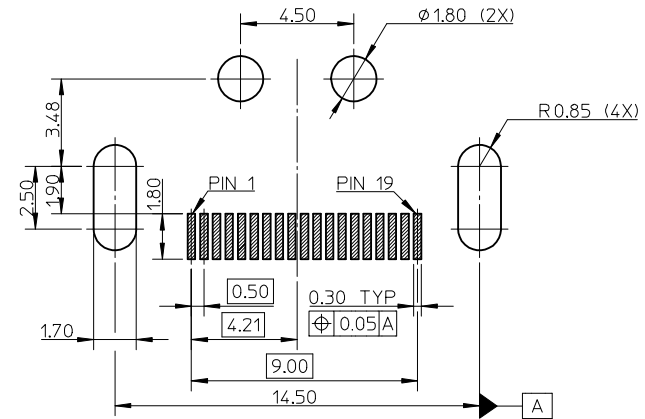
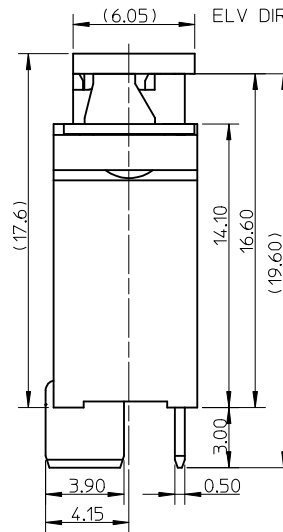
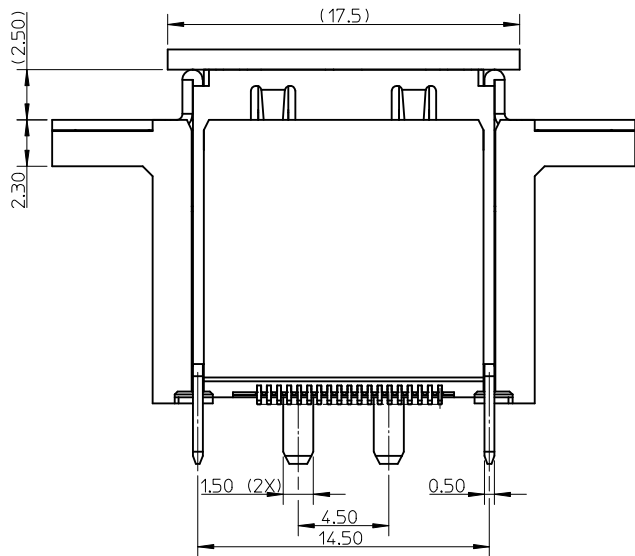
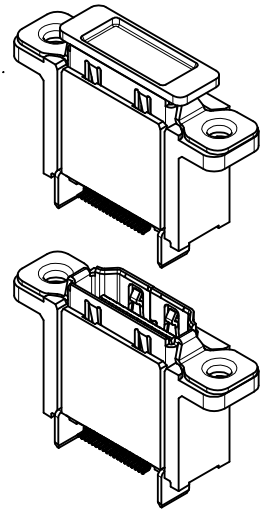
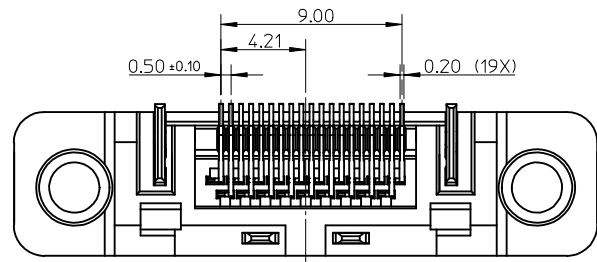


NOTES:

1. MATERIAL:
HOUSING/COVER: HIGH TEMPERATURE THERMAL PLASTIC.UL 94V-0. COLOR: BLACK.
SHELL: COPPER ALLOY.
TERMINAL: COPPER ALLOY.
2. PLATING:
TERMINAL:
CONTACT AREA: PLATING SPEC REFER TO REMARK IN CHART.
SOLDER AREA: 1 MICROMETER MIN. TIN-BISMUTH ALLOY PLATED.
UNDER PLATE: 1.27 MICROMETER MIN. NICKEL.
SHELL: 3 MICROMETER MIN. MATTE TIN PLATE OVERALL.
3. COPLANARITY: 0.10mm MAX .
4. PRODUCT SPECIFICATION REFER TO PS-47632-001.
5. PACKAGE SPECIFICATION REFER TO PK-47632-002.
6. PRODUCT COMPLIANT TO RoHS DIRECTIVE 2002/95/EC AND ELV DIRECTIVE 2000/53/EC.



RECOMMENDED PCB LAYOUT
CONNECTOR SIDE
THICKNESS=1.60mm
(GENERAL TOLERANCE: ±0.05)



P/N	CONTACT PLATING SPEC
47632-2000	GOLD 0.38 MICROMETER MIN.
47632-2100	GOLD FLASH

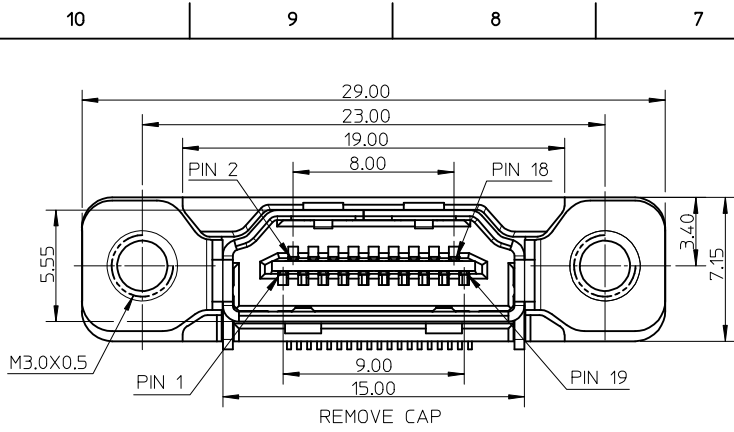
REV NO	DESCRIPTION	DATE
D2	F3-Add UL grade to complete material info.	25.Jun.2013
D1	A8-Gold plating thk 0.3u update to 0.38u (typo error)	28.Jan.2013

REV	DESCRIPTION
D2	

QUALITY SYMBOLS	
▽=0	
▽=0	

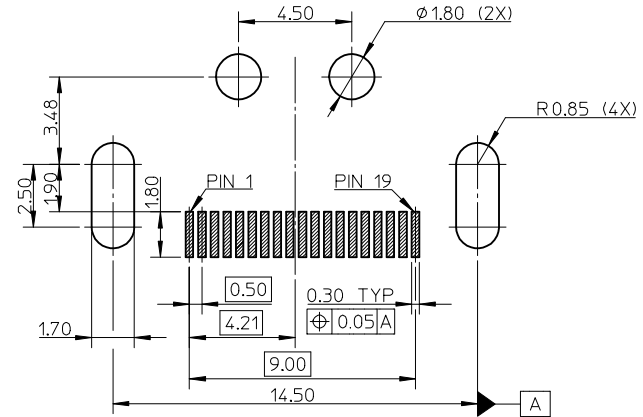
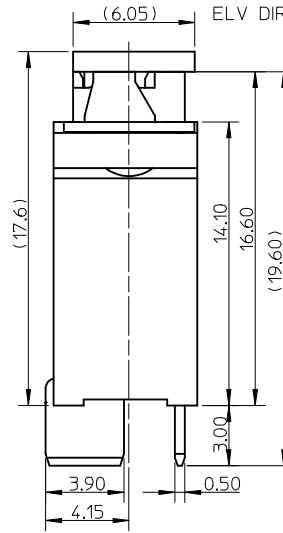
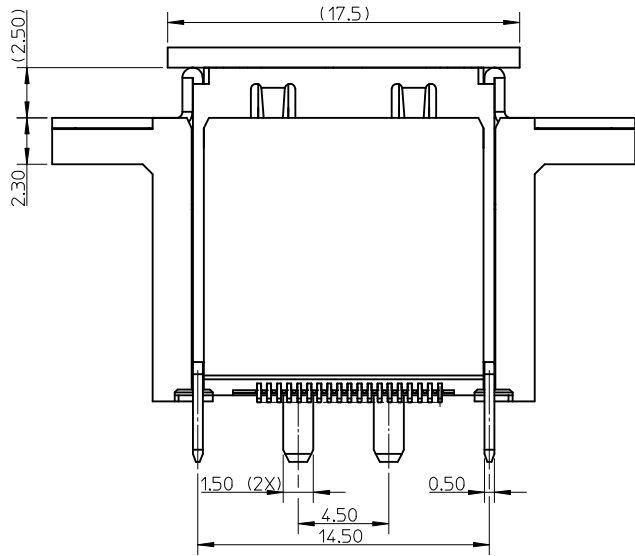
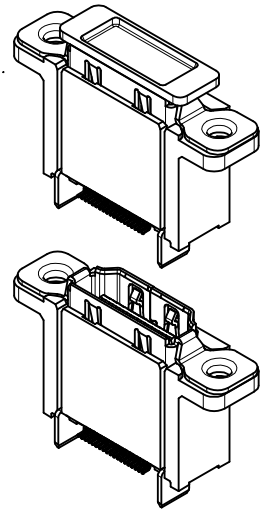
GENERAL TOLERANCES (UNLESS SPECIFIED)	
mm	INCH
4 PLACES ± ---	± ---
3 PLACES ± ---	± ---
2 PLACES ± 0.15	± ---
1 PLACE ± 0.25	± ---
ANGULAR ± 1 °	

DIMENSION STYLE	SCALE	DESIGN UNITS	THIRD ANGLE PROJECTION
MM ONLY	4:1	METRIC	THIRD ANGLE PROJECTION
DRAWN BY	DATE	TITLE	
CHEN BO	2007/10/18	HDMI RECEPTACLE VERTICAL SMT TYPE WITH FLANGE	
CHECKED BY	DATE	MOLEX INCORPORATED	
JOHNSON	2007/10/18	SD-47632-200	
APPROVED BY	DATE	SHEET NO.	
HARVEY	2007/10/18	1 OF 1	
MATERIAL NO.	DOCUMENT NO.	THIS DRAWING CONTAINS INFORMATION THAT IS PROPRIETARY TO MOLEX INCORPORATED AND SHOULD NOT BE USED WITHOUT WRITTEN PERMISSION	
SEE CHART			

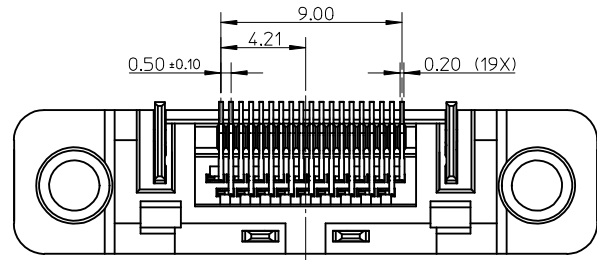


NOTES:

1. MATERIAL:
HOUSING/COVER: HIGH TEMPERATURE THERMAL PLASTIC,UL 94V-0. COLOR: BLACK.
SHELL: COPPER ALLOY.
TERMINAL: COPPER ALLOY.
2. PLATING:
TERMINAL:
CONTACT AREA: PLATING SPEC REFER TO REMARK IN CHART.
SOLDER AREA: 1 MICROMETER MIN. TIN-BISMUTH ALLOY PLATED.
UNDER PLATE: 1.27 MICROMETER MIN. NICKEL.
SHELL: 3 MICROMETER MIN. MATTE TIN PLATE OVERALL.
3. COPLANARITY: 0.10mm MAX .
4. PRODUCT SPECIFICATION REFER TO PS-47632-001.
5. PACKAGE SPECIFICATION REFER TO PK-47632-002.
6. PRODUCT COMPLIANT TO RoHS DIRECTIVE 2002/95/EC AND ELV DIRECTIVE 2000/53/EC.



RECOMMENDED PCB LAYOUT
CONNECTOR SIDE
THICKNESS=1.60mm
(GENERAL TOLERANCE: ±0.05)



P/N	CONTACT PLATING SPEC
47632-2000	GOLD 0.38 MICROMETER MIN.
47632-2100	GOLD FLASH

D2	F3-Add UL grade to complete material info.	25.Jun.2013
D1	A8-Gold plating thk 0.3u update to 0.38u (typo error)	28.Jan.2013
REV NO	DESCRIPTION	DATE

REVISED EC NO: S2013-0898 DRWN: CWANG25 2013/06/25 CHKD: JESSIECHUA 2013/06/25 APPR: SHONG 2013/07/01	QUALITY SYMBOLS ▽=0 ▽=0	GENERAL TOLERANCES (UNLESS SPECIFIED)		DIMENSION STYLE MM ONLY	SCALE 4:1	DESIGN UNITS METRIC	THIRD ANGLE PROJECTION		
		4 PLACES ± --- ± --- 3 PLACES ± --- ± --- 2 PLACES ± 0.15 ± --- 1 PLACE ± 0.25 ± ---	mm INCH	DRAWN BY CHEN BO	DATE 2007/10/18	TITLE HDMI RECEPTACLE VERTICAL SMT TYPE WITH FLANGE			
		ANGULAR ± 1 °		CHECKED BY JOHNSON	DATE 2007/10/18	MOLEX INCORPORATED			
		DRAFT WHERE APPLICABLE MUST REMAIN WITHIN DIMENSIONS		APPROVED BY HARVEY	DATE 2007/10/18	MATERIAL NO. SEE CHART	DOCUMENT NO. SD-47632-200	SHEET NO. 1 OF 1	