

40 Amp Power PCB Relay PTRD-OT



OT2 & OT3



OT4 & OT5

FEATURES

- Popular Power PCB Relay Footprint - T91
- 40 Amp 250 VAC General Purpose UL Rating
- 2 HP 250 VAC Rating
- Two Versions:
 - ◆ OT2 (1A), OT3 (1C) PC Pins & QC Pins
 - ◆ OT4 (1A), OT5 (1C) QC Pins with Mounting Tabs
- UL Class F Insulation Standard
- Meets UL 508 and UL 873 Spacing
- RoHS Compliant

UL / CUL Ratings



Load Type	Voltage	Cycles	1 Form A (SPST-NO)	1 Form B (SPDT-NC)	1 Form C (SPDT)	
					NO	NC
General Purpose	240 VAC	6,000	30 A	20 A	30 A	20 A
	277 VAC	6,000	30 A	20 A	30 A	20 A
	280 VAC	6,000	5 A	5 A	5 A	5 A
Resistive	240 VAC	250,000	40 A	30 A	40 A	30 A
	240 VAC		20 A	—	20 A	—
	277 VAC	100,000	25 A	—	25 A	—
	30 VDC	—	40 A	30 A	40 A	30 A
Motor	250 VAC	30,000	2 HP	1.5 HP	2 HP	1.5 HP
	120 VAC	30,000	1 HP	—	1 HP	—
Ballast	280 VAC	6,000	5 A	5 A	5 A	5 A

CONTACT DATA

Material	AgCdO, AgSnO ₂ In ₂ O ₃ , AgCdO+Au	
Initial Contact Resistance	50 mΩ Max. @ 1 A, 6 VDC	
Maximum Switching Voltage	110 VDC, 300 VAC	
Maximum Switching Current	40 A	
Maximum Switching Power	1200 W, 10,000 VA	
Service Life	Mechanical	1 X 10 ⁷ Operations
	Electrical	5 X 10 ⁴ Operations

Meets UL 508 and UL 873 Spacing - 3.18 mm Through Air, 6.36 mm Over Surface

CHARACTERISTICS

Shock Resistance	200 m/s, 11 ms
Dielectric Strength	50 Hz 2,500 V 1 Min Between Coil and Contacts 4,000 V without Pin 6 50 Hz 1,500 V 1 min. Between Contacts
Terminal Strength	10N
Solderability	260 °C for 5 seconds
Storage Temp. Range	-55°C to 125°C
Operating Temp. Range	-55°C to 100°C
Relative Humidity	85% (at 40°C)
Weight	13.5 grams
Material Compliant To	EU RoHS V2, EU REACH V3
Insulation Resistance	1,000 MΩ min, at 500 VDC, 50% RH

Additional UL / CUL Ratings for AgSnO Contacts

Load Type	Voltage	Cycles	Temp.	1 Form A (SPST-NO)	1 Form C (SPDT-NO)
Resistive	277/250 VAC	30,000	40°C	30 A	30 A

ORDERING INFORMATION

Example:	PTRD	-1C	-12	S	T	OT3	-X	A	0.6
Model:	PTRD (PTRD-OT)								
Contact Form:	1A, 1B, 1C								
Coil Voltage:	3, 5, 6, 9, 12, 15, 18, 24, 28, 48, 110								
Enclosure:	OT2 & OT3: C: Dust Cover; S: Sealed; OT4 & OT5: S: Covered, Not Washable								
Insulation Material:	Nil: Class F								
Contact Material:	Nil: AgCdO; T: AgSnO ₂ In ₂ O ₃								
Mounting Type:	OT2: 1 Form A PCB & QC; OT3: 1 Form C PCB & QC; OT4: 1 Form A Panel all QC; OT5: 1 Form C Panel all QC								
RoHS Compliant:	-X								
Pinout:	A: Alternate Quick Connect Pinout (OT2 & OT3 Only)								
Coil Sensitivity:	Nil: 0.9 W*; 0.6: 0.6 W (*0.9 W is Industry Standard)								
Gold Plated Contacts:	Nil: None; G: AgCdO+Au								

OT2 & OT3 Box Quantity: 600; Inner Box 300, OT4 & OT5 Box Quantity: 400; Inner Box: 100

COIL DATA

Coil Voltage (VDC)		Coil Power (W)		Must Operate Voltage Max (VDC)	Must Release Voltage Min (VDC)
		Resistance (Ohms ± 10%)			
Rated	Max	0.6 W	0.9 W		
3	3.9	15	10	2.25	0.3
5	6.5	42	28	3.75	0.5
6	7.8	60	40	4.50	0.6
9	11.7	135	90	6.75	0.9
12	15.6	240	150	9.00	1.2
15	19.5	375	260	10.25	1.5
18	23.4	540	380	13.50	1.8
24	31.2	960	640	18.00	2.4
28	36.4	1307	871	21.0	2.8
48	62.4	3840	2560	36.00	4.8
110	143	20167	13445	82.50	11.0

*0.9 W is Industry Standard

COIL DATA Continued

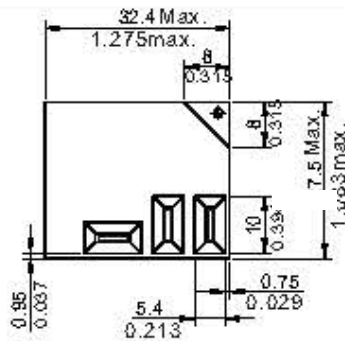
Operate Time	Less than 15 ms
Release Time	Less than 10 ms
Power Consumption	0.9 W, 0.6 W

NOTES:

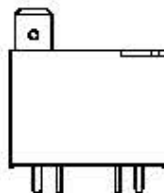
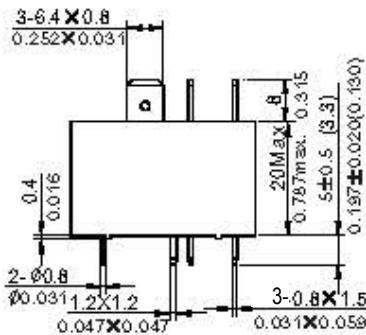
The use of any coil voltage less than the rated voltage will compromise the operation of the relays. Must Operate Voltage and Must Release Voltages are for test purposes only and are not to be used as design criteria.

MOUNTING TYPE (mm/inches)

Knock off, on top corner, nib for ventilation after soldering and water wash.



Note:
Power Pins are 0.8 mm x 1.5 mm
Coil Pins are Ø0.8 mm

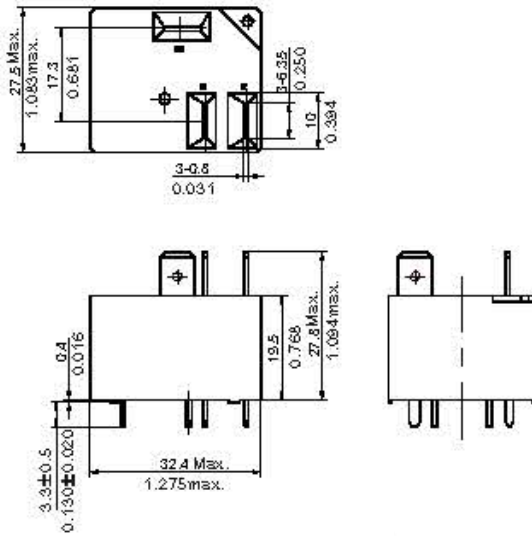


“OT2” & “OT3”

“OT4” & “OT5”

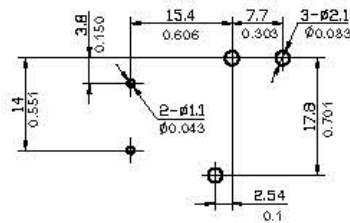
ALTERNATE MOUNTING TYPE (mm/inches)

Knock off, on top corner, nib for ventilation after soldering and water wash.



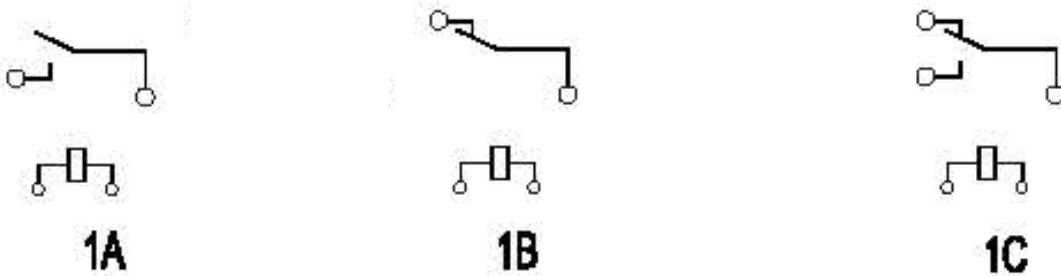
**“A”
OT2 & OT3**

PRINTED CIRCUIT BOARD LAYOUT



(Bottom View)

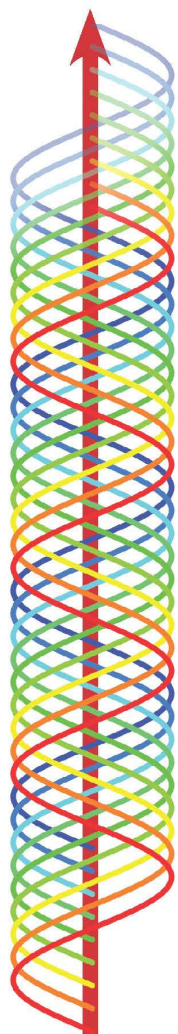
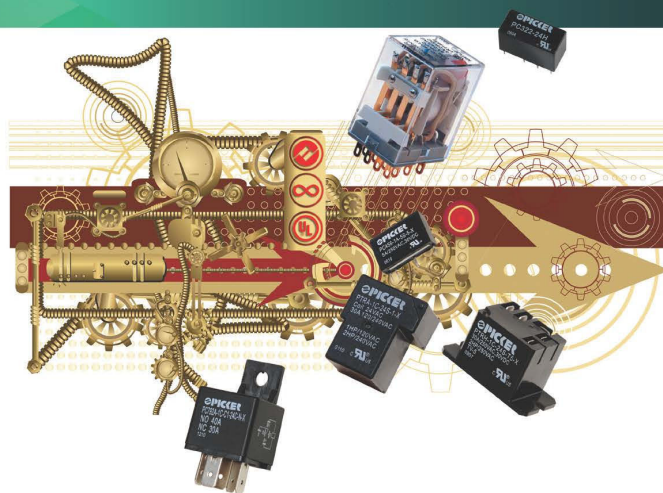
CONTACT FORMS



(Bottom View)



T90 Style Relays



50 Amp **PTR E 50/35 Amp 1,500 W, 12,000 VA**

- Larger Contacts than PTRD/PTRDE
- **Braided Copper Wire Added to Dissipate Heat from Contacts to the Coil Frame and PCB Pins**
- 50 Amp 240 VAC 10,000 Cycle UL Resistive Rating
- Class F Material -40° to 125° C Standard



40+ Amp **PTRDE 40/30 Amp 1,200 W, 10,000 VA**

- **Braided Copper Wire Added to Dissipate Heat from Contacts to the Coil Frame and PCB Pins**
- 40 Amp 240 VAC 50,000 Cycle UL Resistive Rating
- Class F Material -40° to 125° C Standard

40 Amp **PTRD 40/30 Amp 1,200 W, 10,000 VA** **PTRA AC Coil Options from 12 to 277 VAC**

- Larger Contacts than PTRH
- 40 Amp 240VAC UL Resistive Rating
- 25 Amp 277 VAC 100K Cycles UL Resistive Rating
- Class F Material -40° to 125° C Standard



30 Amp **PTRH 30/20 Amp 900 W, 7,500 VA**

- 30 Amp 277 VAC UL General Purpose Rating
- 30 Amp 250 VAC 100K Cycle UL Resistive Rating
- Class B -40° to 100° C Standard, Optional Class F

Packaging Options (i.e. PTRH-T)



Dust Cover or Sealed with Scratch off Nib



-T (T2 & T3) with PC Pins and Contact QC



-T (T4 & T5) w/QC Tabs & Mounting Ears



-OT (OT2 & OT3) with PC Pins and Contact QC



-OT (OT4 & OT5) w/QC Tabs & Mounting Ears