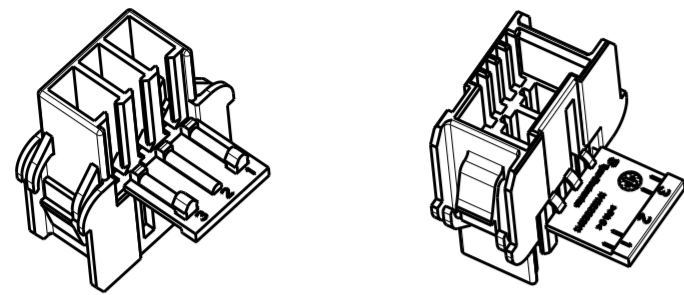


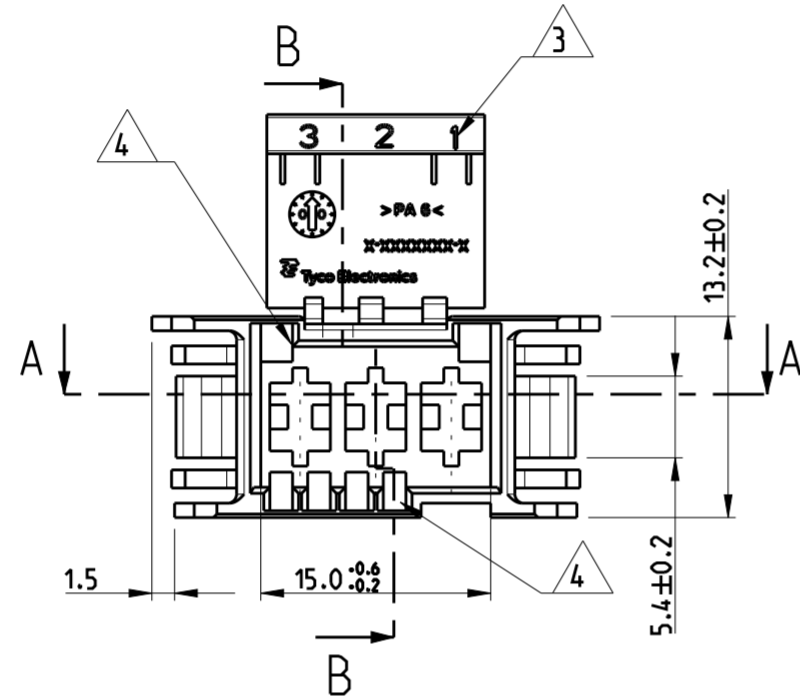
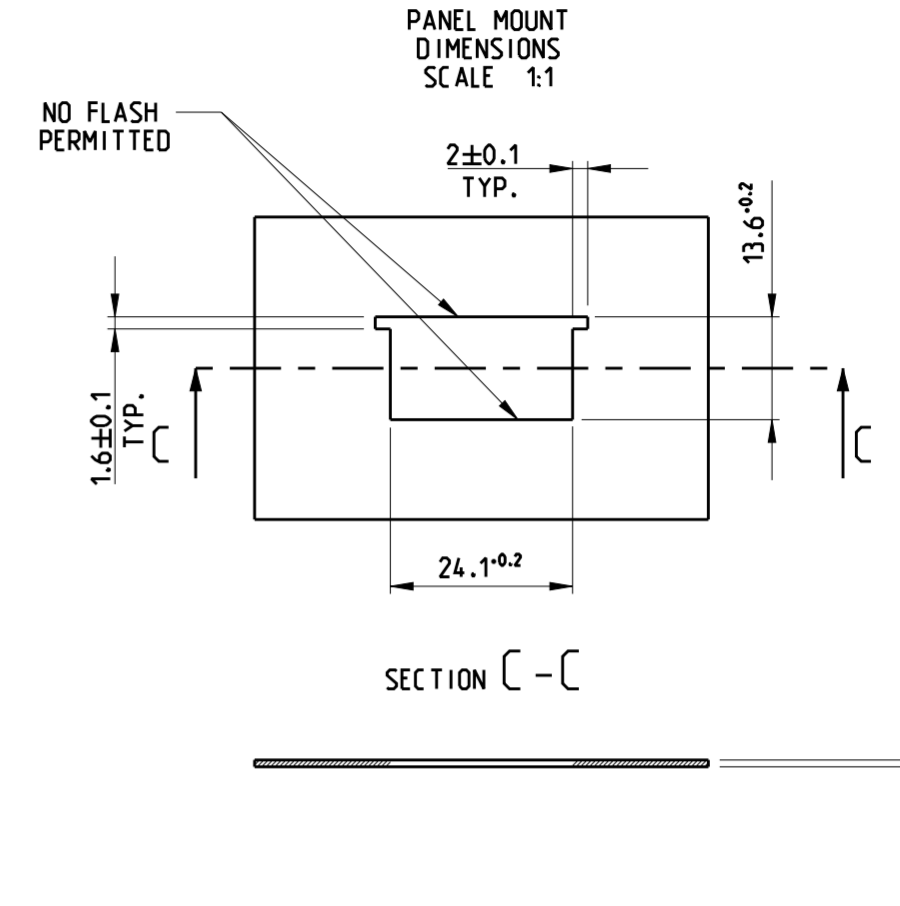
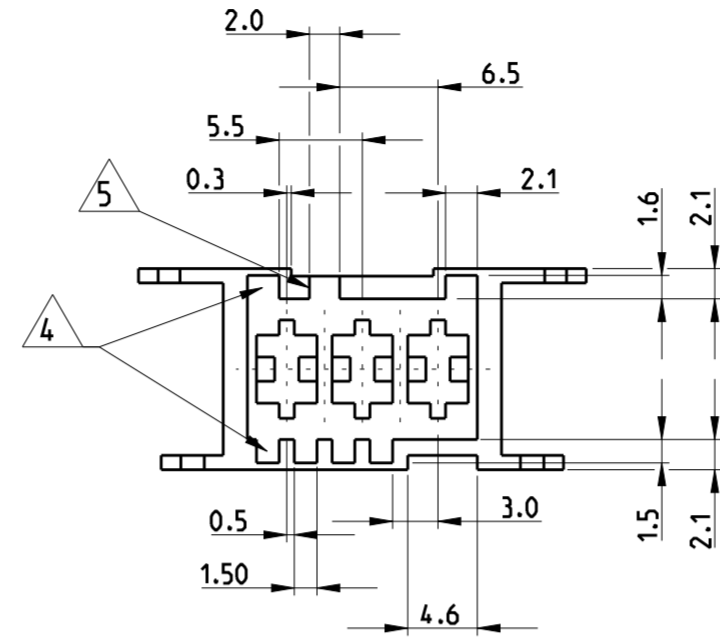
THIS DRAWING IS UNPUBLISHED. RELEASED FOR PUBLICATION 2009
 © COPYRIGHT 2009 BY TYCO ELECTRONICS CORPORATION. ALL RIGHTS RESERVED.

LOC		DIST		REVISIONS			
P	LTR	DESCRIPTION	DATE	DWN	APVD		
A		INITIAL RELEASE	05JAN2010	DMK	RRP		
A1		ECR-17-008891	26JUN2017	KD	RR		

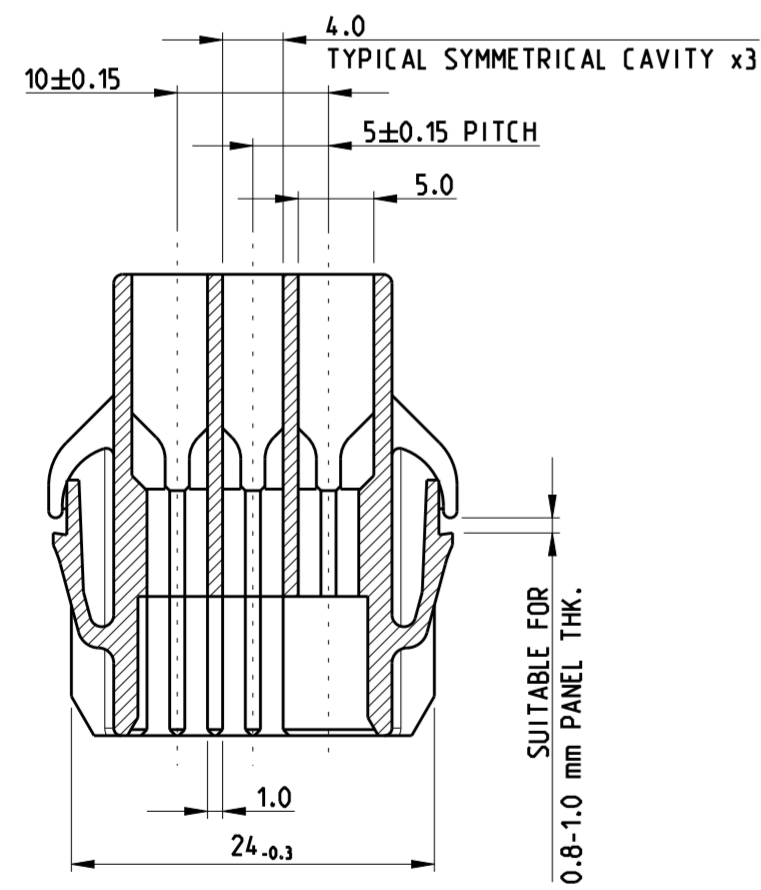


SCALE 1:1

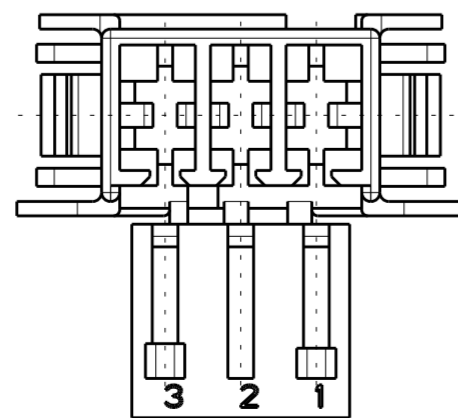
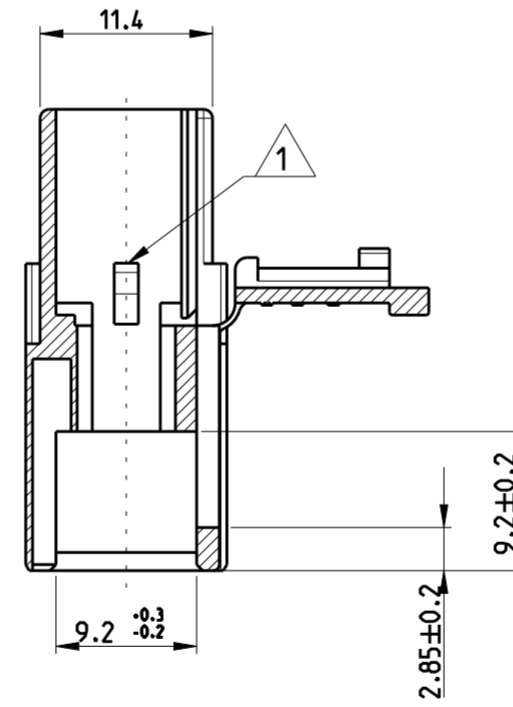
POLARIZATION KEYS SCHEME



SECTION A-A



SECTION B-B



NOTES:

- 1 TYPICAL CAVITY SUITABLE FOR:
FASTIN-FASTON TAB CONTACTS 6.3 mm SRS:
P/N: 60294, 0.3-0.8 mm² WIRE RANGE
160691, 0.3-0.8 mm² WIRE RANGE
AMPLIVAR CONTACTS:
P/N: 141051, 0.1-0.5 mm² WIRE RANGE
142411, 0.3-1.6 mm² WIRE RANGE
MAX. INSULATION DIA. 2.8 mm.
MAX. INSULATION CRIMP WIDTH 3.3 mm.
- 2 MATERIAL: PA 6 UNFILLED, UL94 V2
ACCORDING TO IEC-60335-1 NORMS
- 3 CIRCUIT IDENTIFICATION NUMBERS, 1 TO 3
- 4 POLARIZATION KEYS DIMENSIONS AND POSITIONS
ARE ACCORDING TO "RAST 5" NORM
RAST CODE 03-K
- 5 GROOVE FOR LOCKING SPRING BETWEEN
CAVITY NO. 2 AND 3
- 6 MATERIAL: PA66 UNFILLED, UL94 V0
ACCORDING TO IEC-60335-1 NORMS
- 7 PRELIMINARY PART - NOT RELEASED FOR PRODUCTION

PN 0-1 AS SHOWN

NATURAL	6	7	1-1955416-1
NATURAL	2		0-1955416-1
SURFACE / COLOR	MATERIAL	PART NO.	

<small>THIS DRAWING IS A CONTROLLED DOCUMENT FOR TYCO ELECTRONICS CORPORATION IT IS SUBJECT TO CHANGE AND THE CONTROLLING ENGINEERING ORGANIZATION SHOULD BE CONTACTED FOR THE LATEST REVISION.</small>		DWN 13MAY2009 CHK RAJENDRA 19MAY2009 APVD M.WESTEN 19MAY2009	Tyco Electronics Corporation India (P) Ltd Bangalore, India
DIMENSIONS: mm TOLERANCES UNLESS OTHERWISE SPECIFIED: 0 PLC ±0.2 1 PLC ±0.2 2 PLC ± 3 PLC ± 4 PLC ± ANGLES ±1° MATERIAL 2 FINISH		PRODUCT SPEC 108-20256 APPLICATION SPEC WEIGHT CUSTOMER DRAWING	NAME 3 POS. FASTIN-FASTON CONNECTOR TAB HOUSING, RAST 5 SIZE A2 CAGE CODE 00779 DRAWING NO C-1955416 RESTRICTED TO SCALE 5:1 SHEET 1 OF 1 REV A1