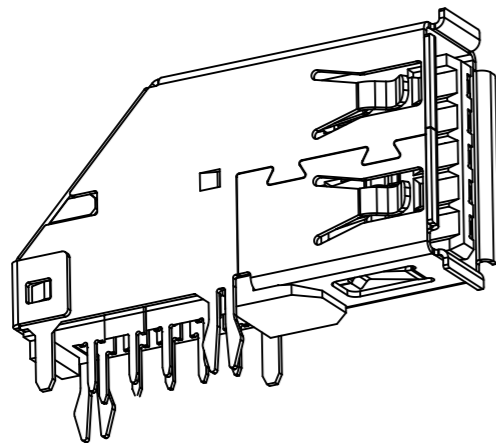
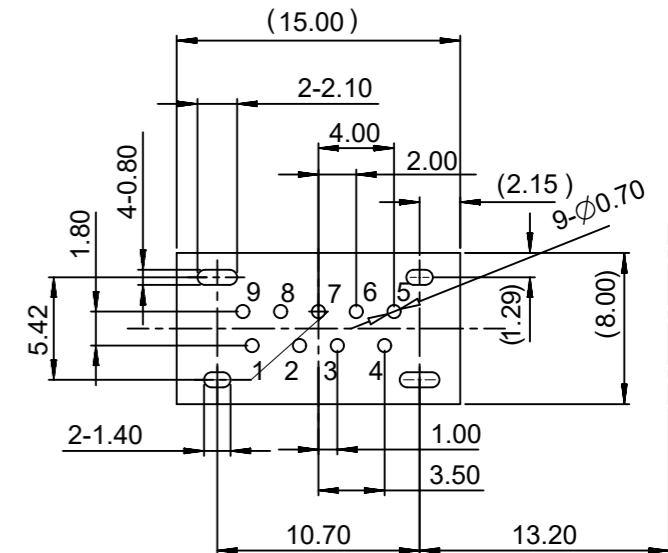
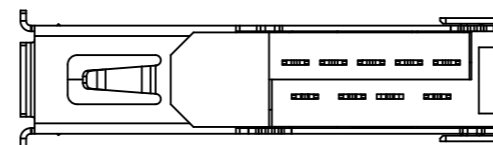
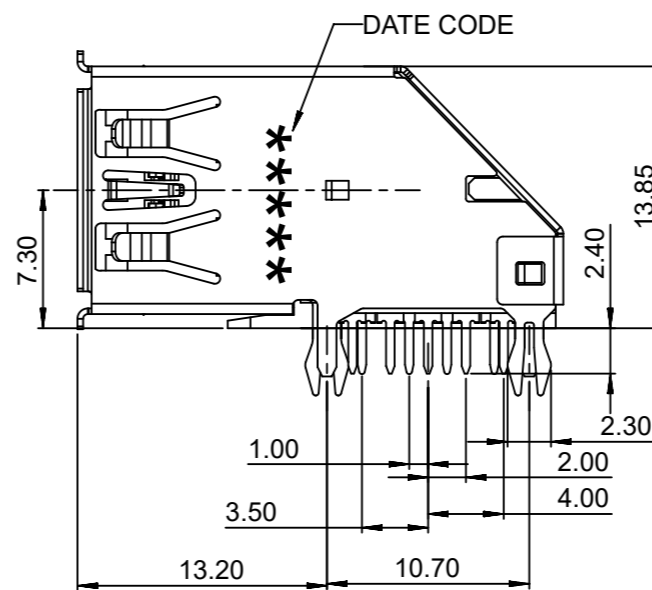
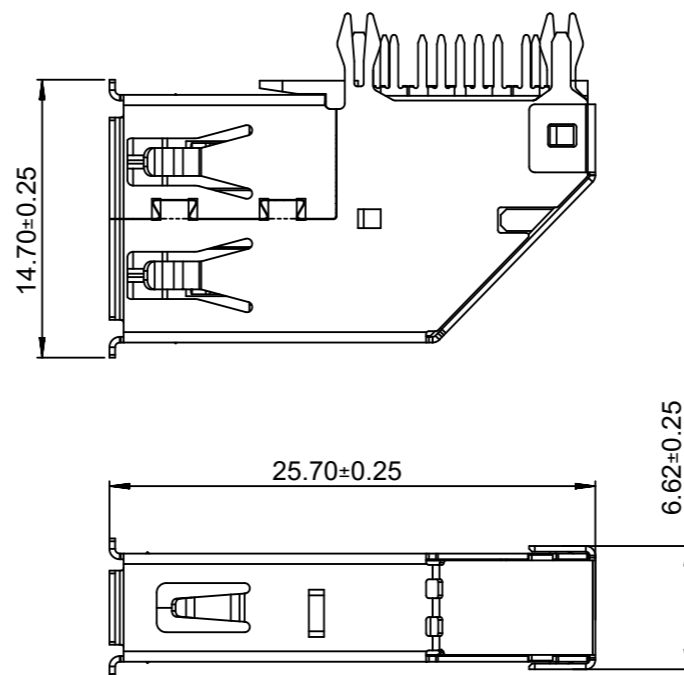
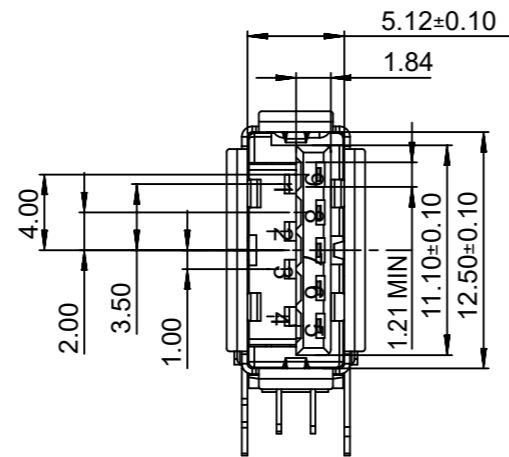


Pin Number	Signal Name	Description
1	VBUS	Power
2	D-	USB2.0 differential pair
3	D+	
4	GND	Ground for power return
5	StdA_SSRX-	SuperSpeed receiver differential pair
6	StdA_SSRX+	
7	GND_DRAIN	Ground for signal return
8	StdA_SSTX-	SuperSpeed transmitter differential pair
9	StdA_SSTX+	
Shell	Shield	Connector metal shell

USB3.0 Standard-A Connector
Pin Assignments



- NOTES:
- MATERIAL:
HOUSING: THERMOPLASTIC, GLASS FIBER FILLED, HALOGEN FREE, UL94-HB, COLOR: BLUE.
USB2.0 CONTACT: COPPER ALLOY.
USB3.0 CONTACT: COPPER ALLOY.
SHELL: STAINLESS STEEL.
 - FINISH:
CONTACT:
SELECTIVE GOLD(Au) IN CONTACT AREA(SEE TABLE)
SELECTIVE MATTE TIN(Sn) ALLOY IN SOLDER TAIL
AREA THICKNESS=120 MICROINCH MINIMUM.
NICKEL(Ni) OVERALL THICKNESS=80 MICROINCH MINIMUM.
SHELL:NICKEL(Ni) OVERALL THICKNESS=30 MICROINCH MINIMUM.
 - PRODUCT SPECIFICATION REFERS TO PS-48404-001
 - PACKAGE SPECIFICATION REFERS TO PK-48404-001
 - TEST SUMMARY REFERS TO TS-48404-001
 - LEAD FREE AND RoHS COMPLIANT PRODUCT.
 - DATE CODE: **XX XX X**
 | | |
 YEAR WEEK DAY



RECOMMEND P.C.B
LAYOUT(THICKNESS=1.2mm)
(COMPONENT SIDE) TOLERANCE±0.05

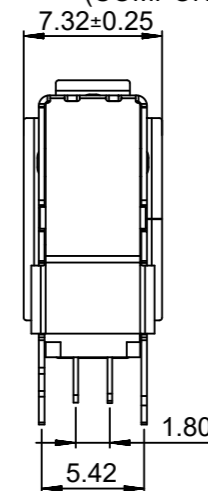


TABLE	
PLATING	P/N
15u" Au	48404-0003

THIS DRAWING CONTAINS INFORMATION THAT IS PROPRIETARY TO MOLEX ELECTRONIC TECHNOLOGIES, LLC AND SHOULD NOT BE USED WITHOUT WRITTEN PERMISSION									
DIMENSION UNITS		SCALE		CURRENT REV DESC: OBSOLETE PART NUMBERS AS PER PCN#508521					
		1:1		molex USB3.0 A TYPE, T/H SIDE 90 DEGREE PRODUCT CUSTOMER DRAWING					
GENERAL TOLERANCES (UNLESS SPECIFIED)									
		MM	INCH						
4 PLACES	±								
3 PLACES	±								
2 PLACES	±	0.2							
1 PLACE	±	0.25							
0 PLACES	±								
ANGULAR TOL		± 3.0°		EC NO: 667388		2021/04/19			
DRAFT WHERE APPLICABLE MUST REMAIN WITHIN DIMENSIONS		THIRD ANGLE PROJECTION		DRWN: RUBY		2013/09/18		DOCUMENT NUMBER	
				APPR: RZHANG		2013/09/18		SD-48404-001	
				DRAWING		SERIES		DOC TYPE DOC PART REVISION	
				A3-SIZE		48404		PSD 001 B	
				MATERIAL NUMBER		CUSTOMER		SHEET NUMBER	
				SEE TABLE		GENERAL MARKET		1 OF 1	